

ARCHITECTURAL GRATES + DRAINS



100MNDG20

Linear Drainage System

Stormtech is the only linear drainage system available with full Greentag and Watermark certification across our complete product range.

Telephone 01483 346460 | Web slimlinedrain.co.uk





ARCHITECTURAL
GRATES + DRAINS



100MNDG20

Linear Drainage System



100mm wide Marc Newson designed stainless steel grate with uPVC channel.

A world first in architectural linear grates, the partnership with Marc Newson has created a new decorative solution for wet areas, incorporating Newson's signature tessellated hexagonal pattern.

Kits longer than 3000mm available on request.

Code 100MNDG20
Range 100
Grate Style MND
Category Modular Kits
Channel Material uPVC
Steel Grade 316

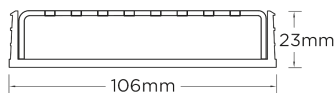
SPECIFICATIONS + DIMENSIONS

Channel Width	106mm
Channel Depth	23mm
Length(s)	900mm 1000mm 1200mm 1500mm 1800mm 1900mm 2000mm 2200mm 2400mm 2700mm 3000mm
Outlet Size	DN80, DN100

STORMTECH COLOUR FINISHES



Electroplate finishes subject to natural variation with time and local environment. Factors such as pools/surf beaches may require electropolishing. Contact us for suitability.



Grates longer than 1500mm supplied in sections.
Tile Inserts longer than 1200mm supplied in sections.
Channels over 3000mm supplied in sections with joiner.

PRODUCT APPLICATIONS

- | | |
|-----------------------------|----------------------------|
| Bathroom Drainage | Hospitality Drainage |
| Aged / Health Care Drainage | Paved Area Drainage |
| Balcony Drainage | Shower Drainage |
| Commercial Drainage | Multi-Residential Drainage |
| Courtyard / Patio Drainage | Special Needs Drainage |
| Pool and Spa Area Drainage | Suspended Slab Drainage |

Copyright © Stormtech Pty Ltd. Patent 733361. Drawings not to scale, please use dimensions shown.



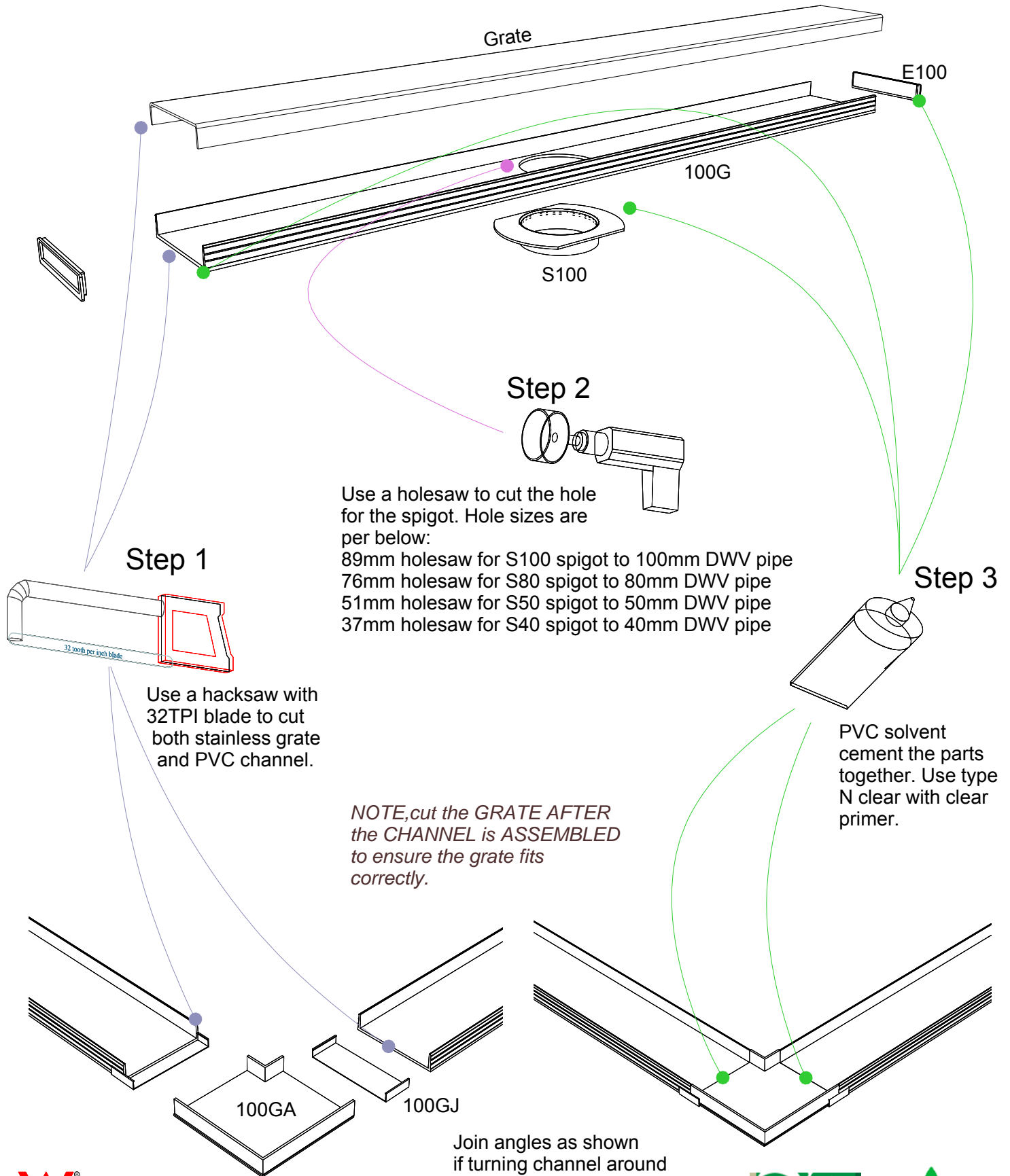
Visit slimlinedrain.co.uk
for tools + inspiration.

Phone 01483 346460

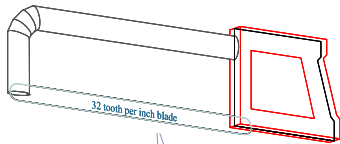
Email technical@slimlinedrain.co.uk

100G20 Assembly

For 100AR20, 100PS20,
100TR20, 100MND20.

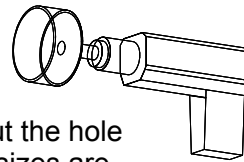


Step 1



Use a hacksaw with 32TPI blade to cut both stainless grate and PVC channel.

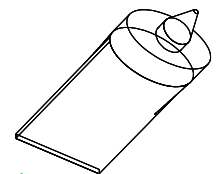
Step 2



Use a holesaw to cut the hole for the spigot. Hole sizes are per below:

- 89mm holesaw for S100 spigot to 100mm DWV pipe
- 76mm holesaw for S80 spigot to 80mm DWV pipe
- 51mm holesaw for S50 spigot to 50mm DWV pipe
- 37mm holesaw for S40 spigot to 40mm DWV pipe

Step 3



PVC solvent cement the parts together. Use type N clear with clear primer.

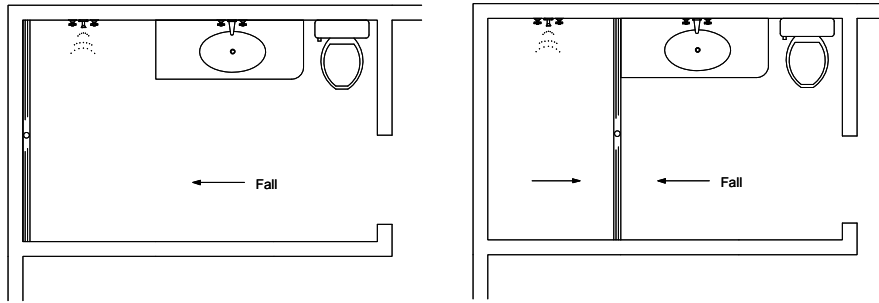
NOTE, cut the GRATE AFTER the CHANNEL is ASSEMBLED to ensure the grate fits correctly.

Join angles as shown if turning channel around a 90 degree corner.



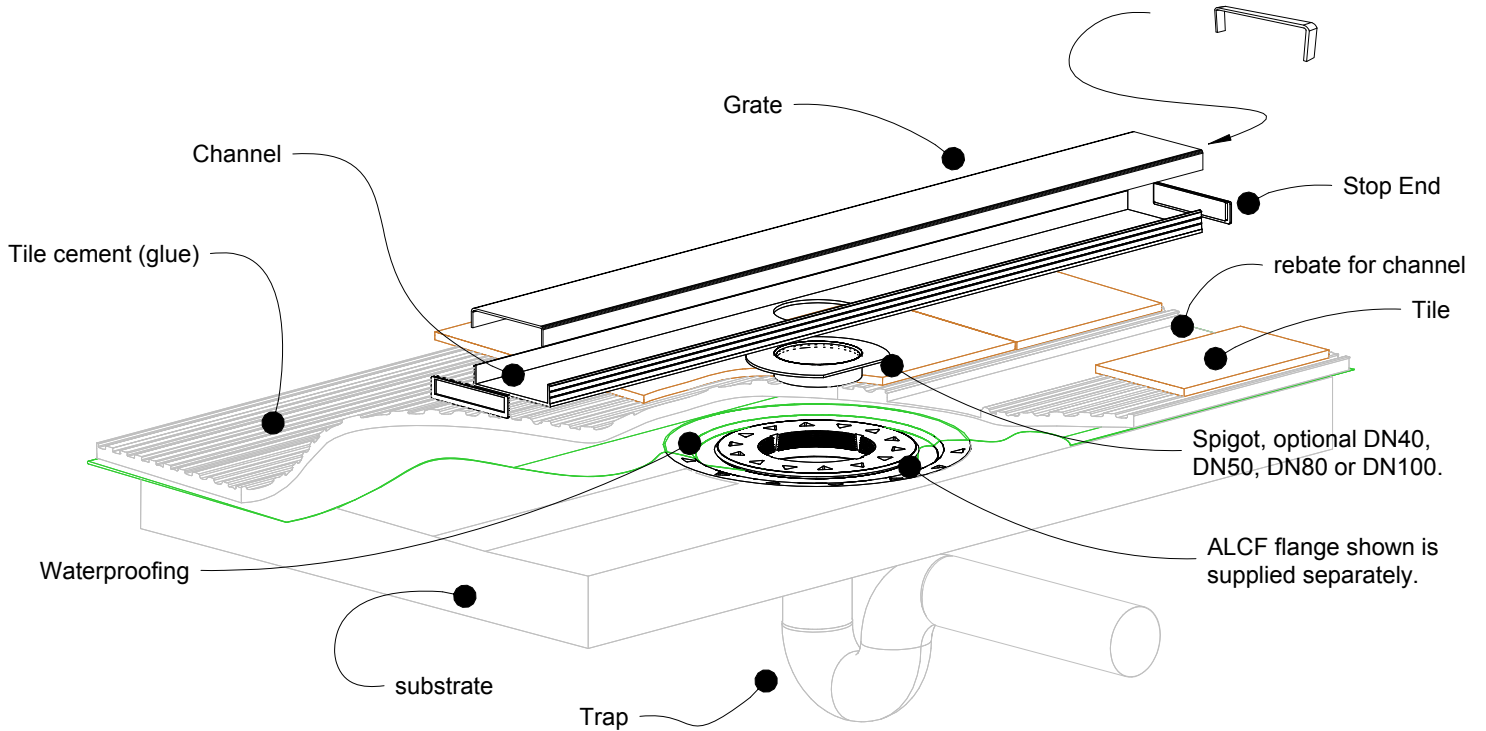
100G20 Bathroom

For 100AR20, 100PS20,
100TR20, 100MND20.

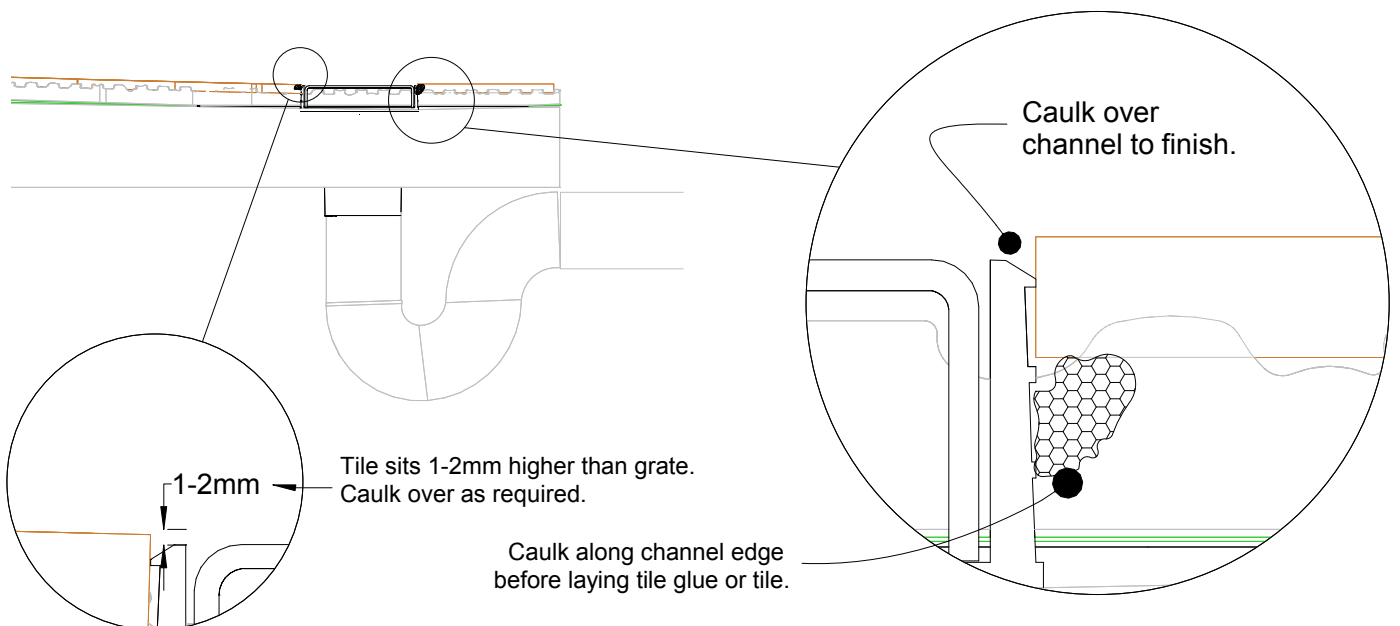


NOTE, ensure pipe sizes and outlet sizes selected are as per requirements in AS3500.

The PSB support fits under the cut grate to support tynes of the grate (100PS only).



NOTE, this method requires the channel system to be ABOVE and SEPARATE from the WATERPROOFING.

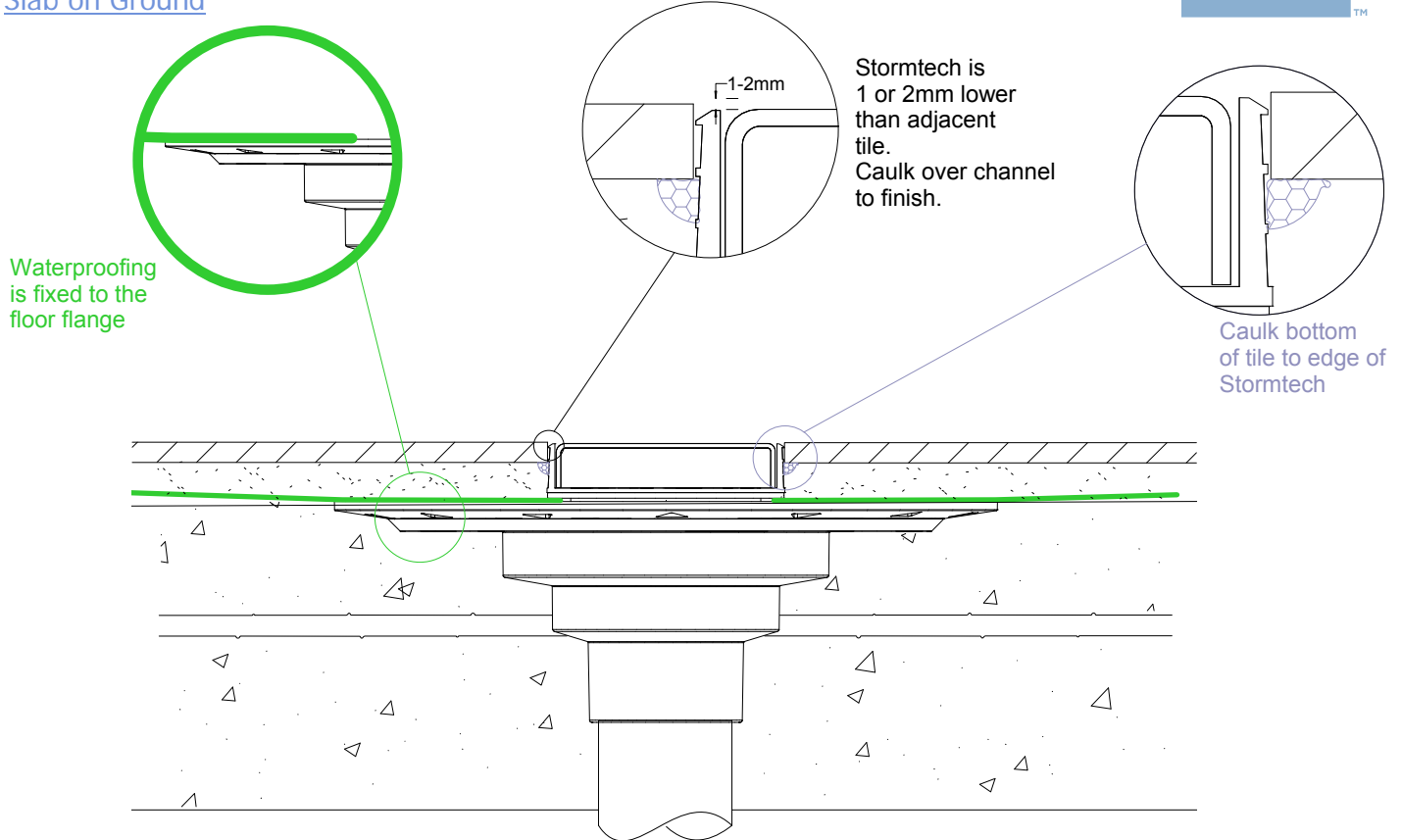


100G20 Concrete Floor or Deck

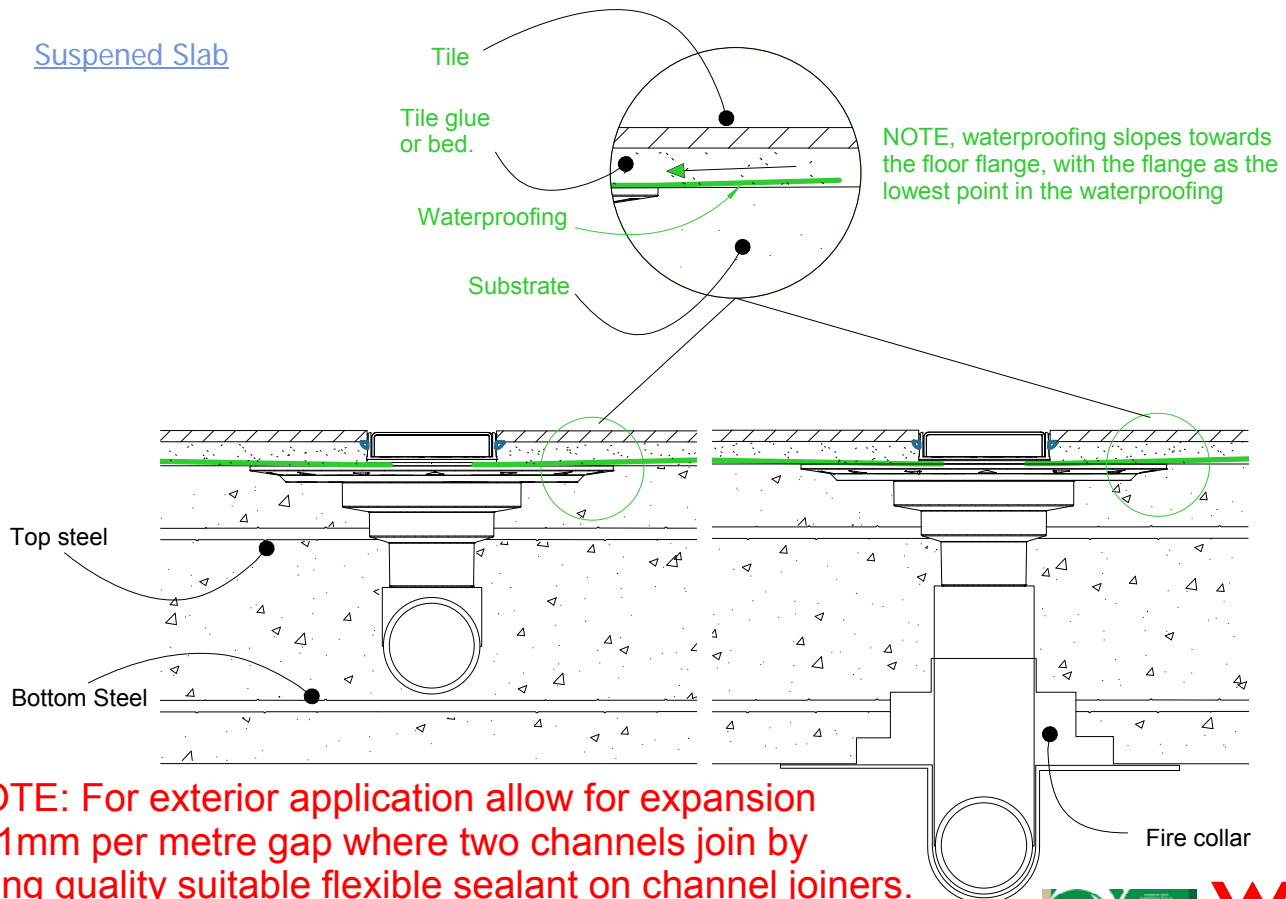
For 100AR20, 100PS20,
100TR20, 100MND20.



Slab on Ground



Suspended Slab



NOTE: For exterior application allow for expansion of 1mm per metre gap where two channels join by using quality suitable flexible sealant on channel joiners. Use PVC solvent cement for ends and outlets.

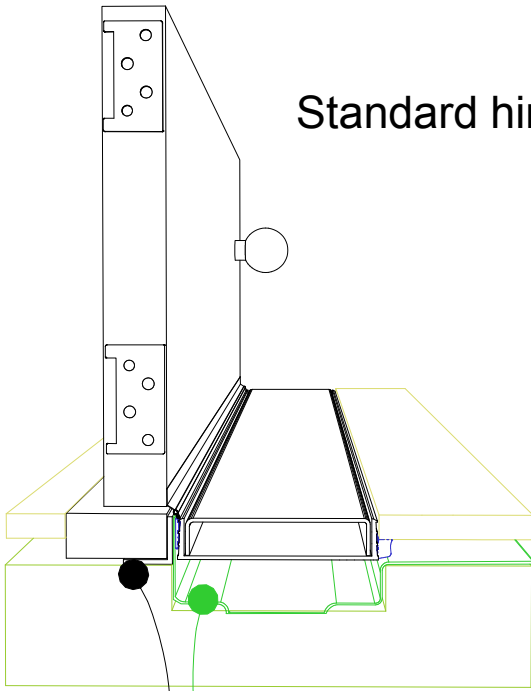


100G20 Threshold installation suggestion

For 100AR20, 100PS20,
100TR20, 100MND20.



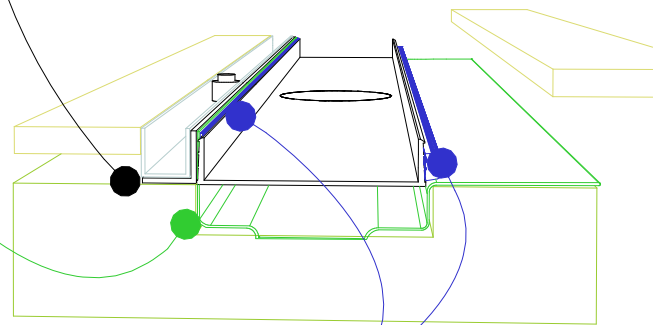
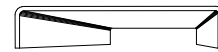
Standard hinged door



Aluminium angle to support waterproofing and junction between channel and door sil.

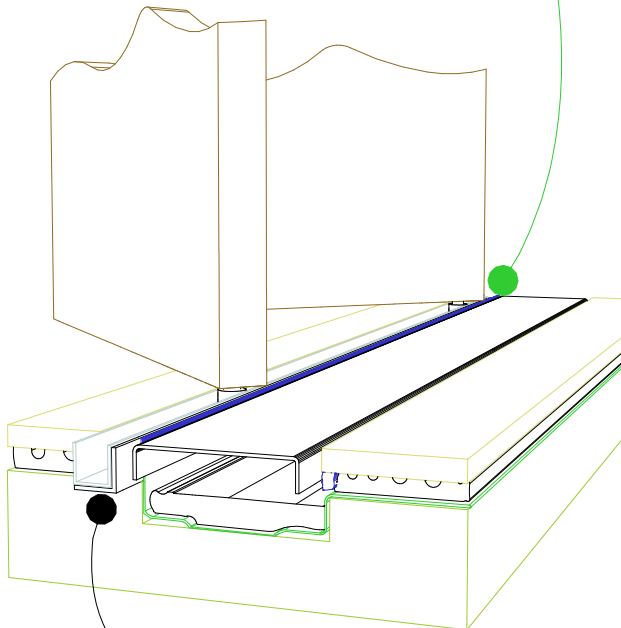
Top hung slider

Aluminium angle to support waterproofing and junction between channel and door track.



Waterproofing

Bi-fold door



Aluminium angle to support waterproofing and junction between channel and door track.

For all types of threshold installation ensure both sides of the channel are sealed before laying tile.

NOTE, ensure weather strip is used on the appropriate side of the door to ensure drafts and moisture are minimised.

NOTE, ALWAYS ensure the waterproofing is completed before laying the Stormtech.

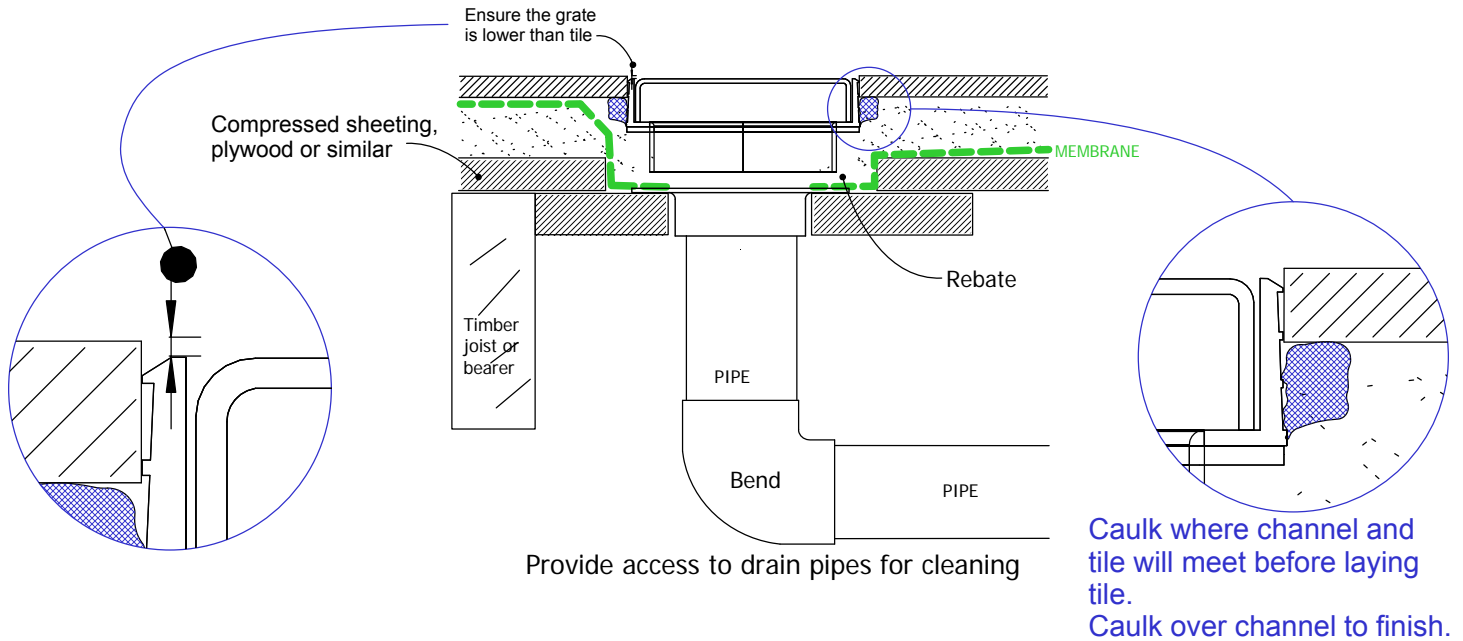


100G20 TIMBER FLOOR/DECK

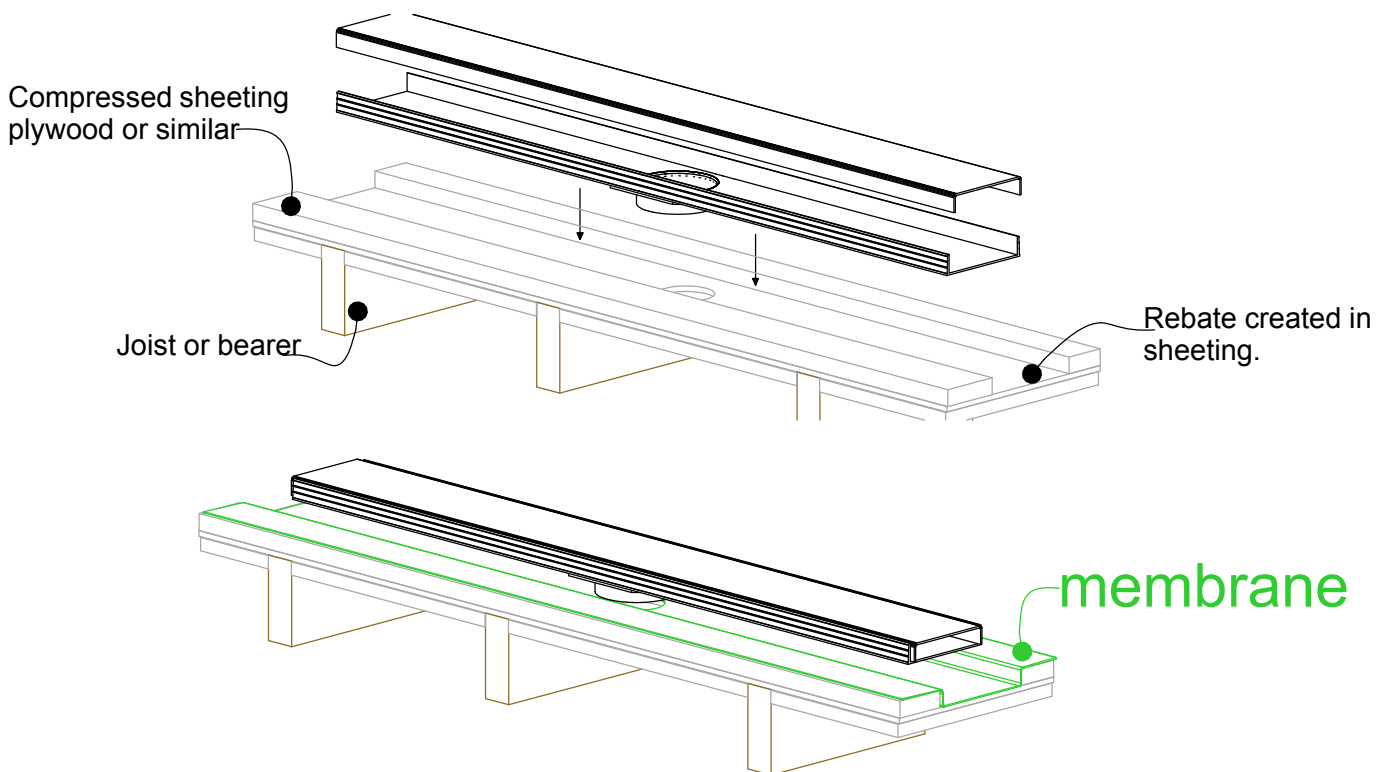
For 100ARG20, 100PSG20,
100TRG20, 100MNDG20.



When 100G20 is running parallel to joist/bearer



When 100G20 is running perpendicular to joist/bearer

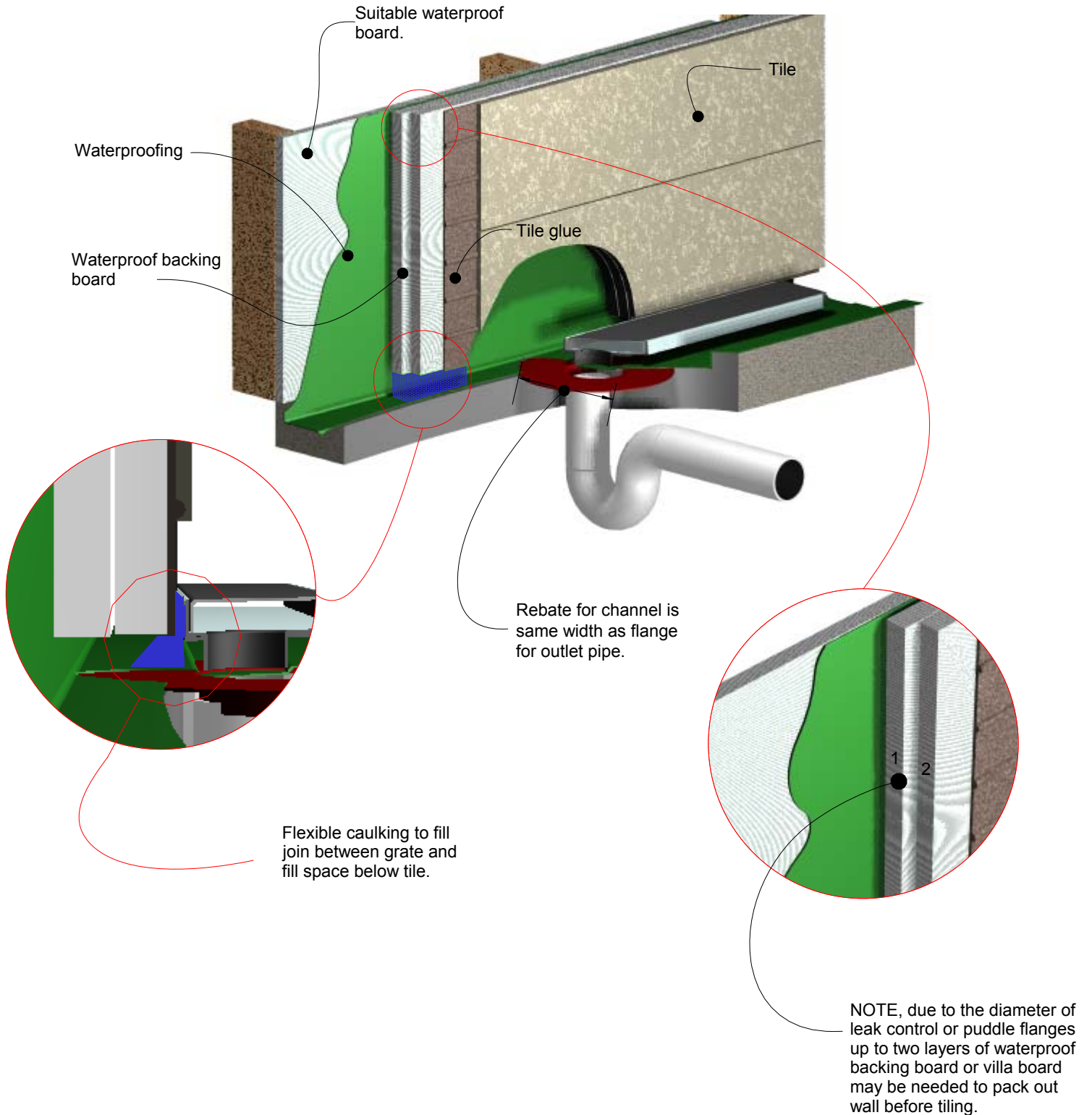


NOTE: For exterior application allow for expansion of 1mm per metre by using quality suitable flexible sealant on channel joins. Use PVC solvent cement and primer on ends and outlets.

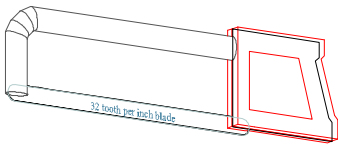
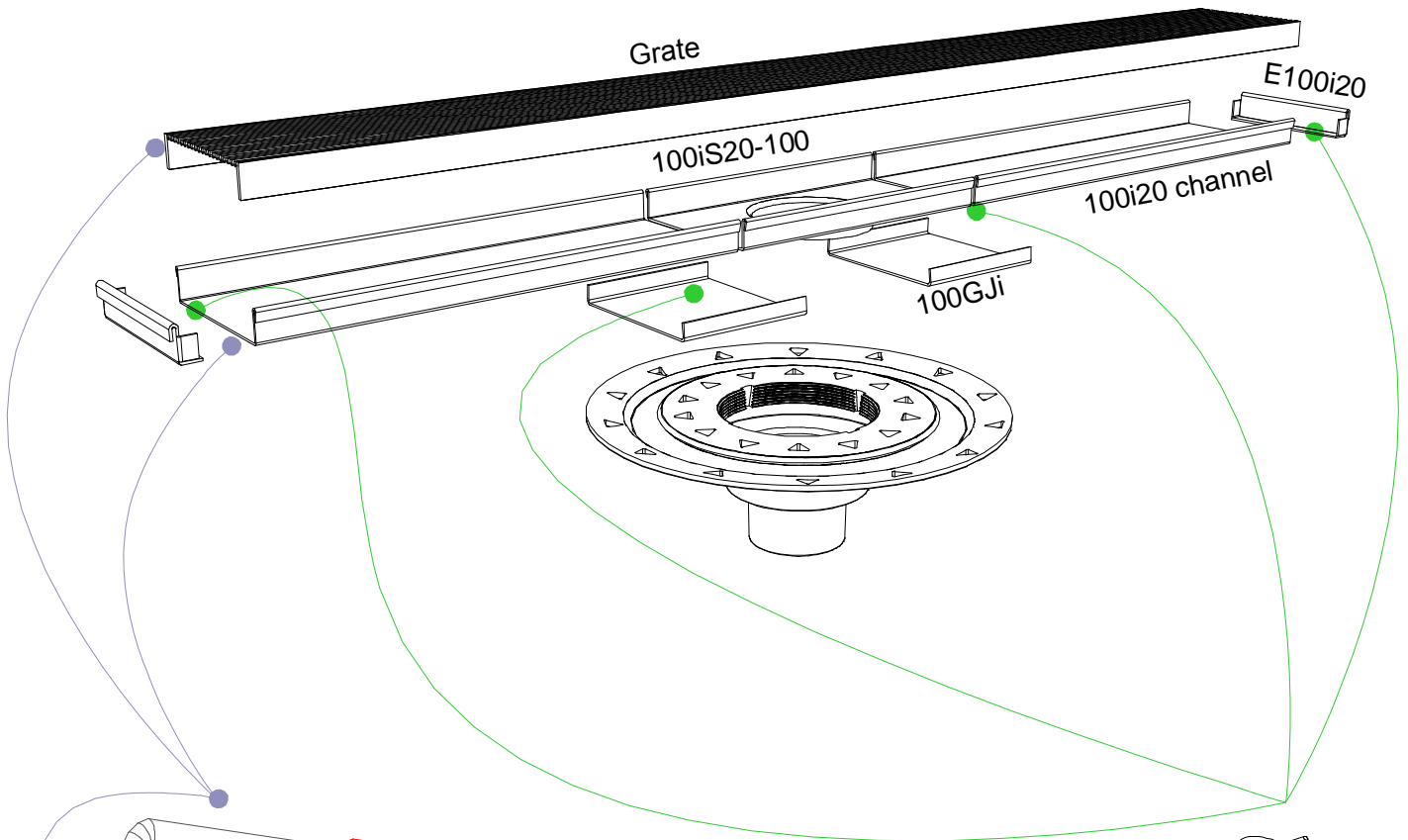


100G20 Against Wall

For 100AR20, 100PS20,
100TR20, 100MND20.

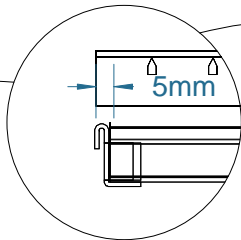
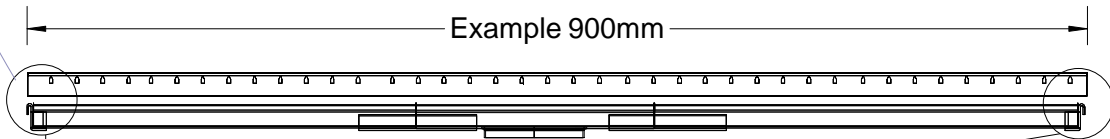
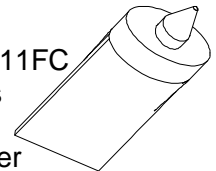


100i20 Assembly (Kits over 2m)



Use a hacksaw with 32TPI blade to cut both stainless grate and channel.

Use SikaFlex 11FC to fix the parts together. Use type 215 primer to prepare the surface.



Cut the grate 5mm shorter each side to allow for stop ends.
Example, if overall length required is 900mm, cut the grate to 890mm.

Visit slimlinedrain.co.uk

