

ARCHITECTURAL GRATES + DRAINS



# 100MNDTDi

## Threshold with Sub-Sill

Stormtech is the only linear drainage system available with full Greentag and Watermark certification across our complete product range.

Telephone 01483 346460 | Web [slimlinedrain.co.uk](http://slimlinedrain.co.uk)





ARCHITECTURAL  
GRATES + DRAINS



# 100MNDTDi

## Threshold with Sub-Sill



The 100MNDTDi is a Threshold Drain for door track with sub sill tray featuring our 100mm wide Marc Newson design grate.

For sliding and Hinged doors.

Featuring a linear stainless steel grate with concealed channel section connecting sill and sub-sill for door tracks and thresholds.

**Code** 100MNDTDi

**Range** Threshold

**Grate Style** MND

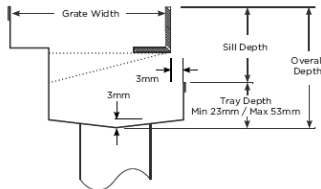
**Category** Made-to-Length

**Channel Material** Stainless Steel

**Steel Grade** 316

Allows door sills to be drained while having internal and external floor surfaces with no step down.

Please be aware that depending on the installation environment, for a pool installation or close to a surf beach, you may need to have your stainless steel grates electropolished.

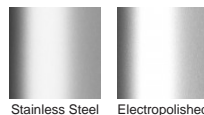


Grates longer than 1500mm supplied in sections. Tile Inserts longer than 1200mm supplied in sections. Channels over 3000mm supplied in sections with joiner. +/-2mm tolerance on dimensions.

### SPECIFICATIONS + DIMENSIONS

<b>Channel Width</b>	110mm
<b>Channel Depth</b>	Adjustable
<b>Length(s)</b>	As Required
<b>Outlet Size</b>	N/A

### STORMTECH COLOUR FINISHES



Electroplate finishes subject to natural variation with time and local environment. Factors such as pools/surf beaches may require electropolishing. Contact us for suitability.

### PRODUCT APPLICATIONS

- Aged / Health Care Drainage
- Balcony Drainage
- Commercial Drainage
- Courtyard / Patio Drainage
- Paved Area Drainage
- Multi-Residential Drainage
- Special Needs Drainage
- Threshold Drainage
- Suspended Slab Drainage



Visit [slimlinedrain.co.uk](http://slimlinedrain.co.uk)  
for tools + inspiration.

Copyright © Stormtech Pty Ltd. Patent 733361. Drawings not to scale, please use dimensions shown.  
Downloaded 29/03/2024 (please check for updates)

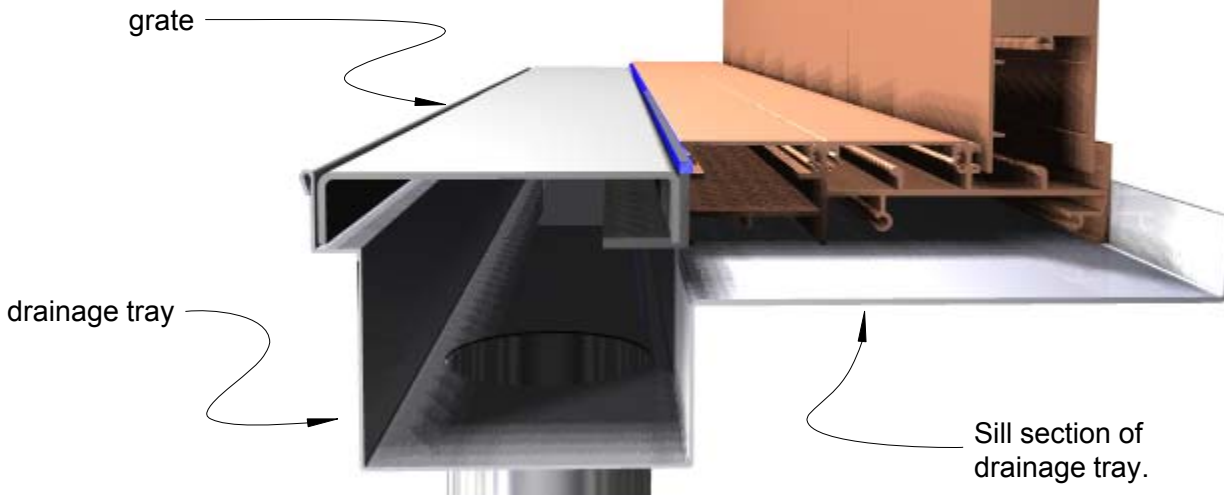
Phone **01483 346460**

Email [technical@slimlinedrain.co.uk](mailto:technical@slimlinedrain.co.uk)

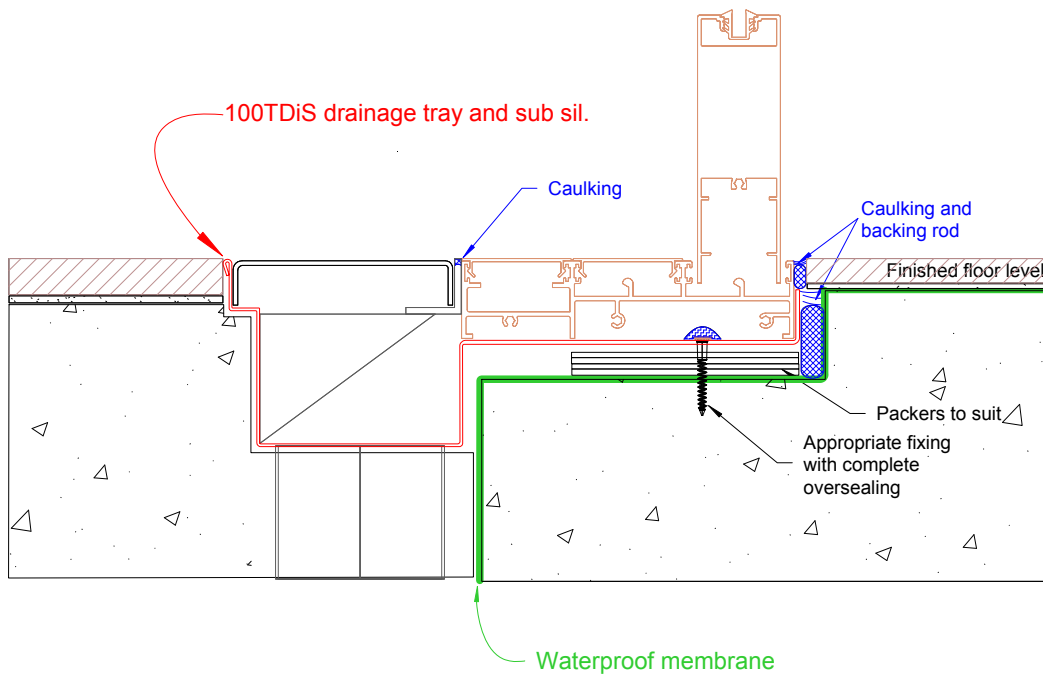
# 100TDiS

## Linear threshold Drainage System

For 100ARTDiS, 100TRTDiS, 100MNDTDiS, 100TiTDiS and 100PSTDiS.



- \* The entire door track and 100TDiS are set in above and separate to waterproofing. Therefore waterproofing must be completed first.
- \* The included sill tray must be installed first as the door tracks are installed into tray of the 100TDiS.

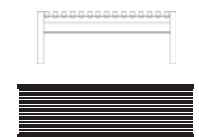


# Threshold drain - Premium for Sub Sil and Sil

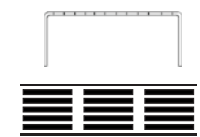
## Order Form



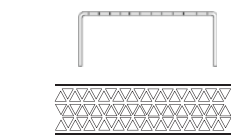
Grates



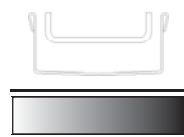
Architectural (AR)



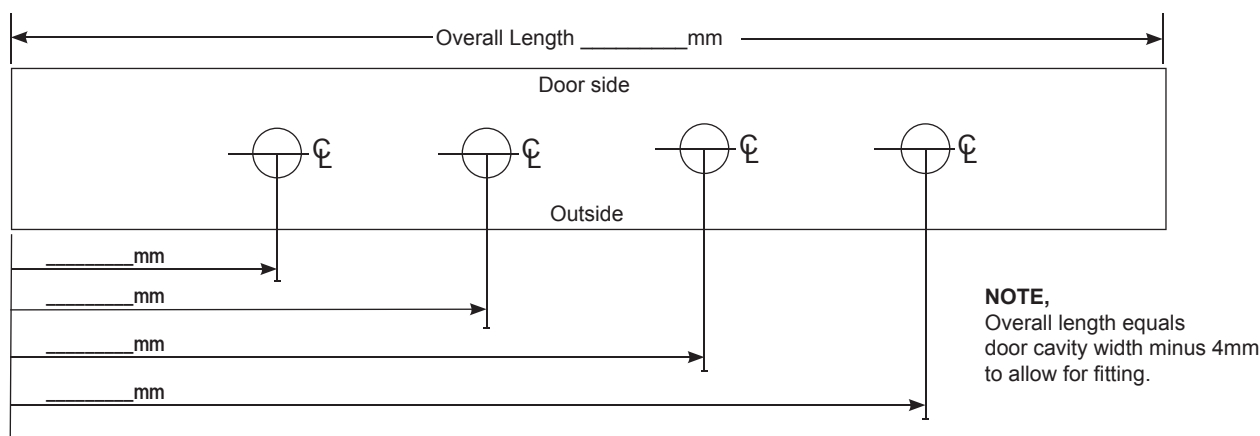
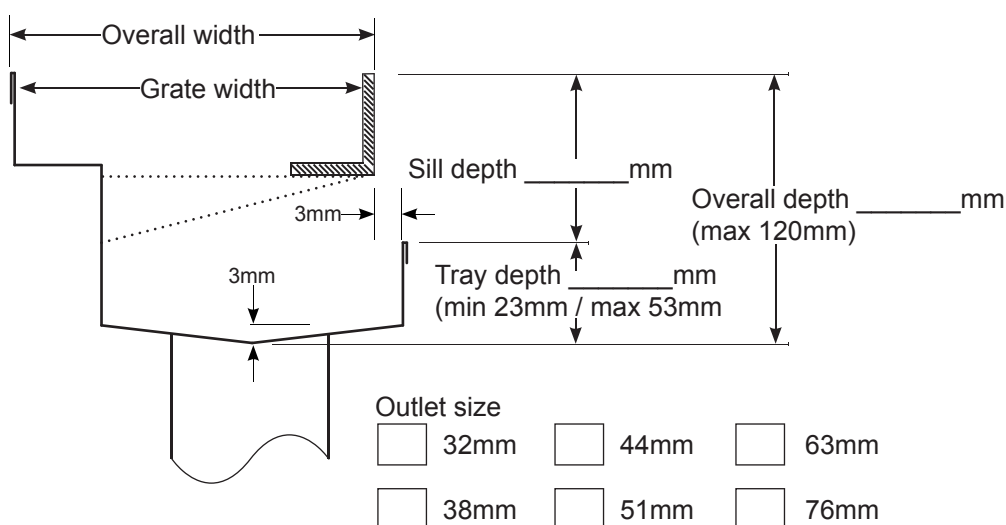
Punched Slot (PS)



Marc Newson (MND)

Tile Insert  14mm ID (Suits max 12mm tile)

- |  |                                      |   |
|--|--------------------------------------|---|
| <input type="checkbox"/> 65mm Tile Insert  | <input type="checkbox"/> 65mm Grate  | Overall width = 74mm (Min sill depth 35mm)  |
| <input type="checkbox"/> 100mm Tile Insert | <input type="checkbox"/> 100mm Grate | Overall width = 109mm (Min sill depth 30mm) |



Name <input style="width: 95%;" type="text"/>	Email <input style="width: 95%;" type="text"/>
Customer name/job <input style="width: 95%;" type="text"/>	Branch <input style="width: 45%;" type="text"/> S/tech quote # <input style="width: 45%;" type="text"/>
Order number <input style="width: 95%;" type="text"/>	Signature & date <input style="width: 95%;" type="text"/>

Fax to 02 44235552 or email to [info@stormtech.com.au](mailto:info@stormtech.com.au)



Visit [slimlinedrain.co.uk](http://slimlinedrain.co.uk)

