

ARCHITECTURAL GRATES + DRAINS



# 65Tii30MTL

## Tile Insert Drain

Stormtech is the only linear drainage system available with full Greentag and Watermark certification across our complete product range.

Telephone 01483 346460 | Web [slimlinedrain.co.uk](http://slimlinedrain.co.uk)





ARCHITECTURAL  
GRATES + DRAINS



# 65Tii30MTL

## Tile Insert Drain



All stainless steel drainage unit made to specified length with specified outlet position.

The 65Tii30 is a Tile Insert Drain manufactured from 3mm thick 316 marine grade stainless steel.

Suitable for tiles up to 12mm thick.

The maximum length of the tile insert will be 1200mm in one piece, channels longer than 1200mm will have inserts in multiple equal sections

Refer to AS3500 for outlet pipe sizes specific to your installation.

Code 65Tii30MTL

Range 65

Grate Style Ti

Category Made-to-Length

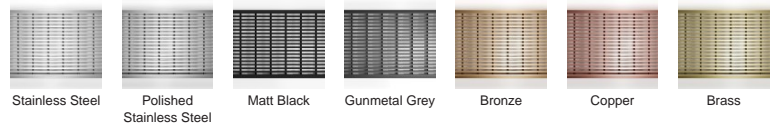
Channel Material Stainless Steel

Steel Grade 316

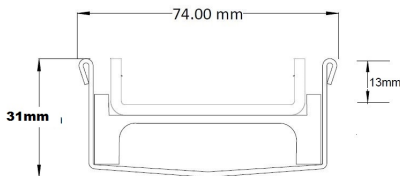
### SPECIFICATIONS + DIMENSIONS

Channel Width	74mm
Channel Depth	31mm
Length(s)	As Required
Outlet Size	DN40, DN50, DN65

### STORMTECH COLOUR FINISHES



Electroplate finishes subject to natural variation with time and local environment.



Grates longer than 1500mm supplied in sections.  
Tile Inserts longer than 1200mm supplied in sections.  
Channels over 3000mm supplied in sections with joiner.

### PRODUCT APPLICATIONS

- |                             |                            |
|-----------------------------|----------------------------|
| Bathroom Drainage           | Hospitality Drainage       |
| Aged / Health Care Drainage | Paved Area Drainage        |
| Balcony Drainage            | Shower Drainage            |
| Commercial Drainage         | Multi-Residential Drainage |
| Courtyard / Patio Drainage  | Special Needs Drainage     |
| Pool and Spa Area Drainage  | Threshold Drainage         |

Copyright © Stormtech Pty Ltd. Patent 733361. Drawings not to scale, please use dimensions shown.



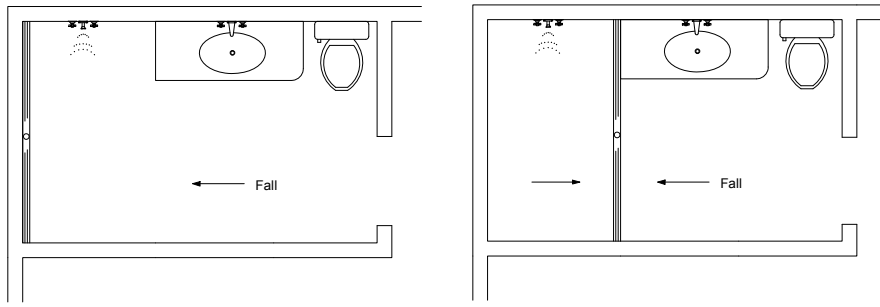
Visit [slimlinedrain.co.uk](http://slimlinedrain.co.uk)  
for tools + inspiration.

Phone 01483 346460

Email [technical@slimlinedrain.co.uk](mailto:technical@slimlinedrain.co.uk)

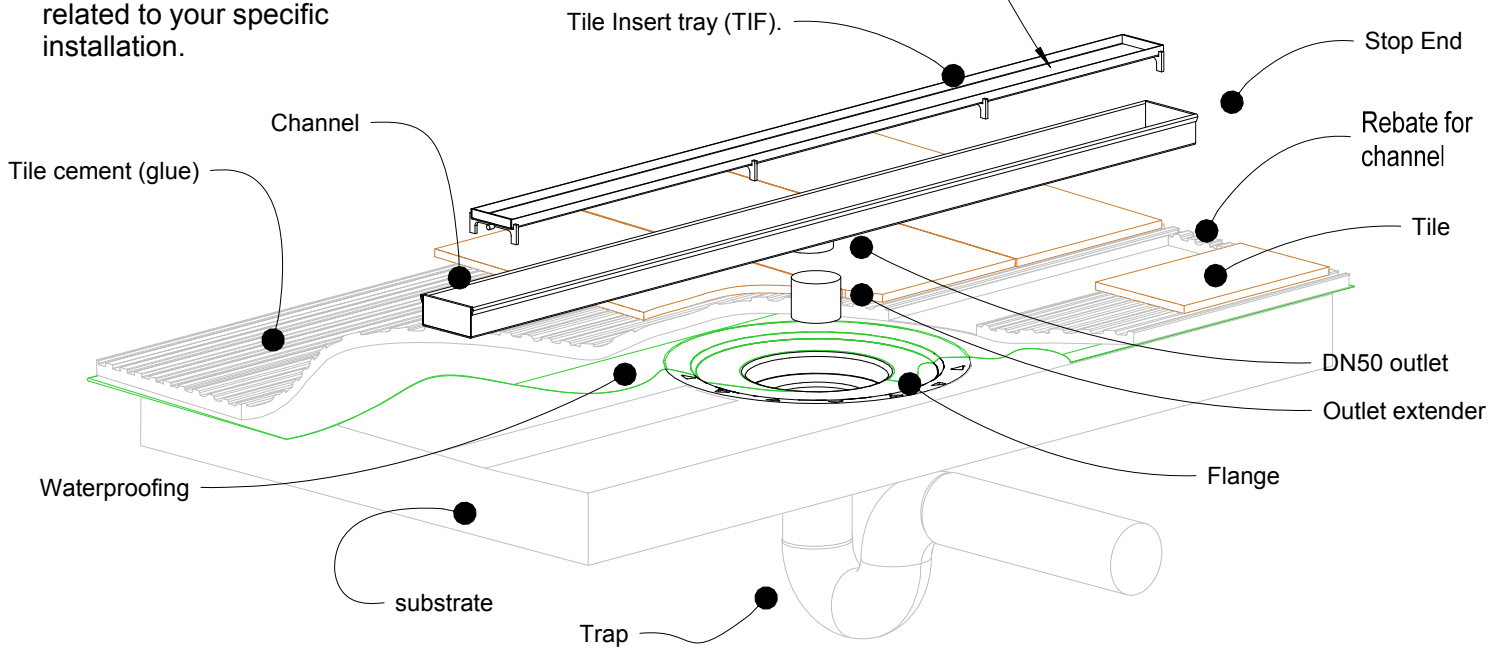
# 65Tii25/30 MTL & CO Bathroom

For 65TRTii25MTL, 65TRTiiCO25, 65Tii30MTL  
65TiiCO30.

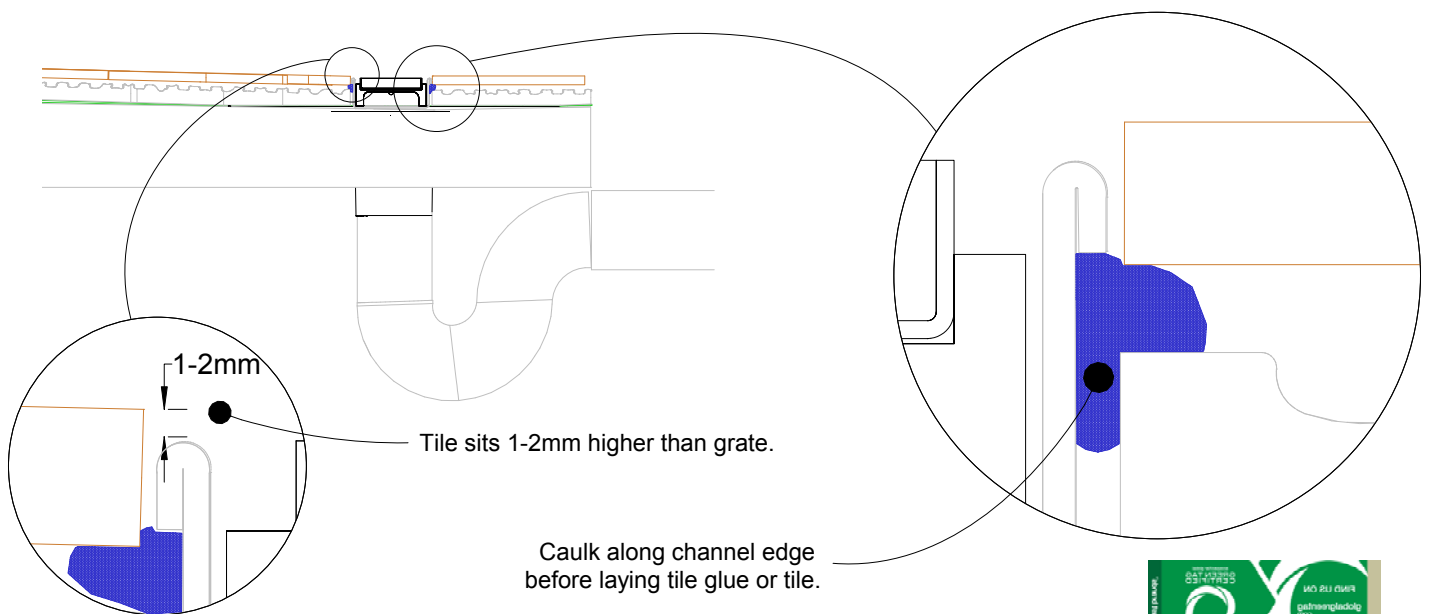


Cut tile to width and fix into tray. To ensure no metal contamination causes spalling below the tile. It is recommended to use a paint-on waterproof membrane on the interior of the tile insert tray before tiling to ensure no contaminants are trapped below against the stainless.

NOTE, refer to AS3500 for specific outlet pipe sizes related to your specific installation.



NOTE, this method requires the channel system to be ABOVE and SEPARATE from the WATERPROOFING.



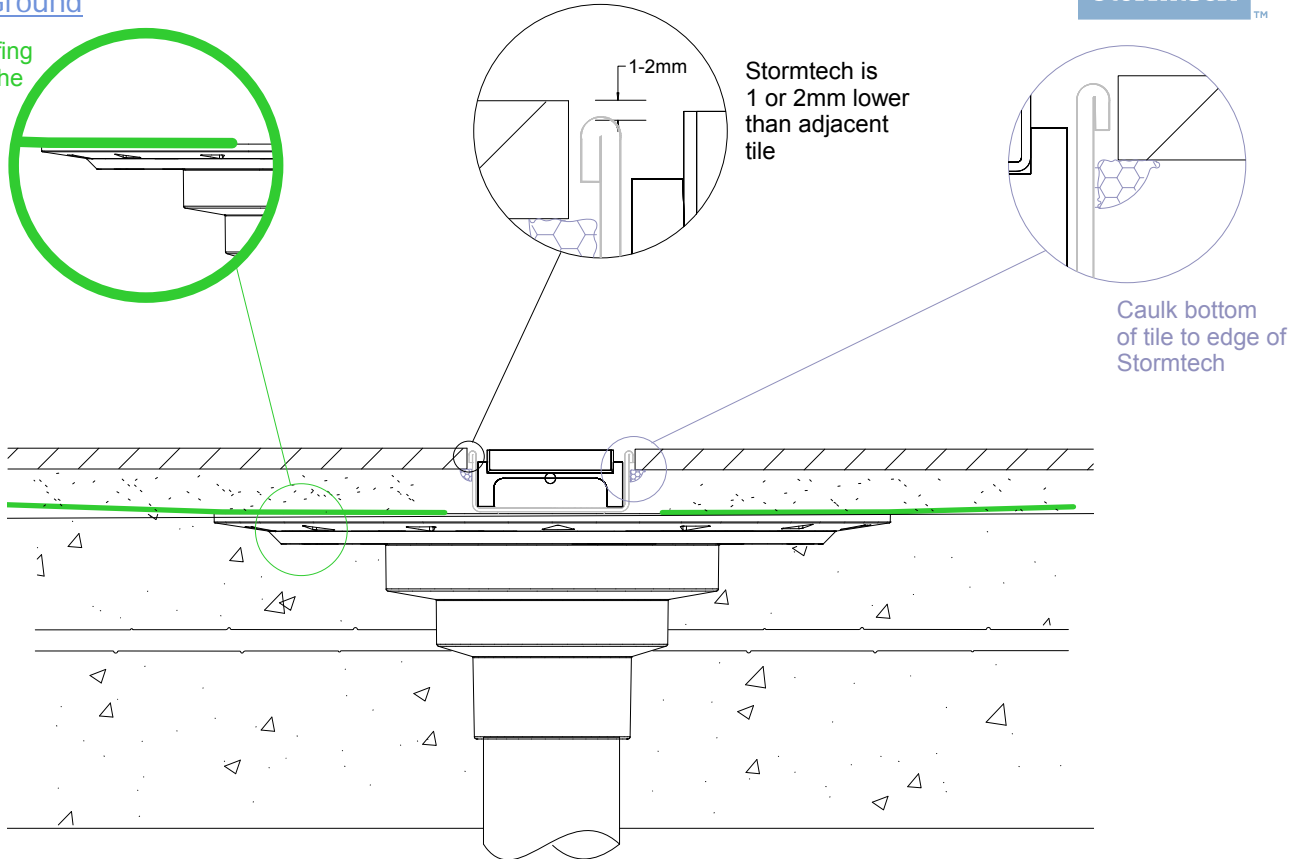
# 65Tii25/30 MTL & CO Concrete Floor or Deck

For 65TRTii25MTL, 65TRTiiCO25, 65Tii30MTL  
65TiiCO30.



## Slab on Ground

Waterproofing is fixed to the floor flange



## Suspended Slab

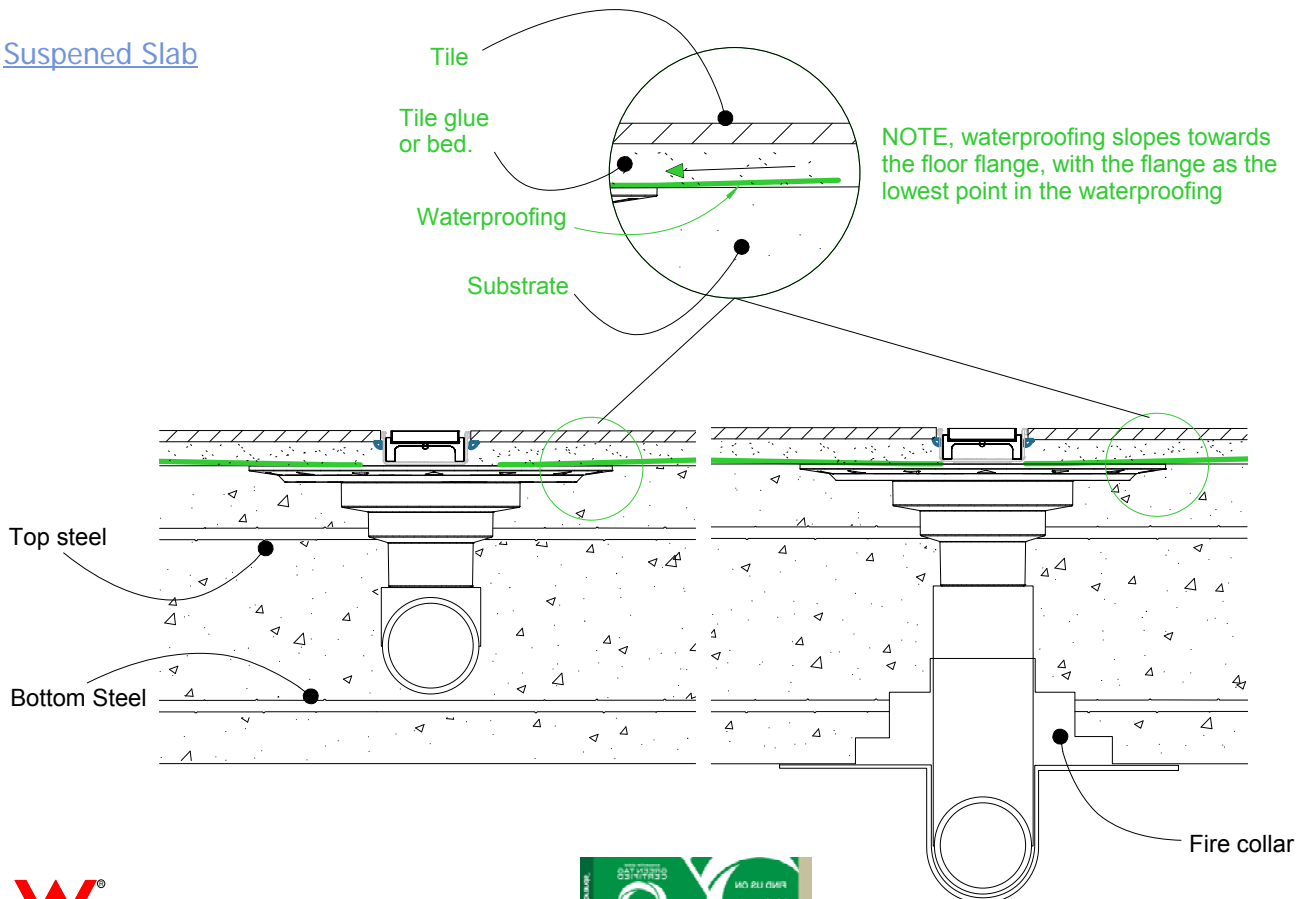
Tile

Tile glue or bed.

Waterproofing

Substrate

NOTE, waterproofing slopes towards the floor flange, with the flange as the lowest point in the waterproofing

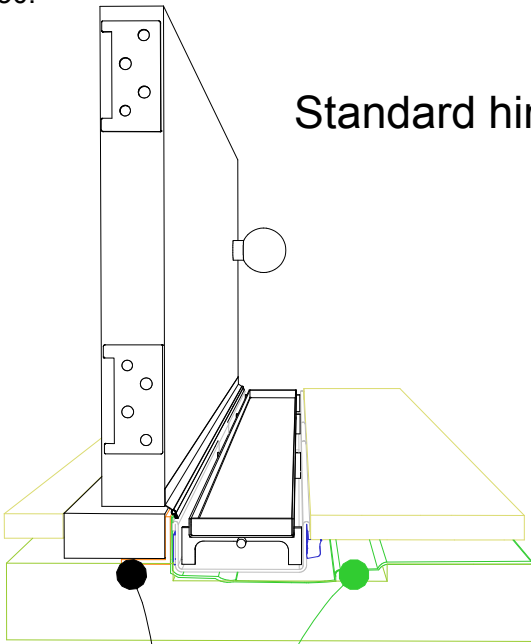


# 65Tii25/30 MTL & CO Threshold installation suggestion

For 65TRTii25MTL, 65TRTiiCO25, 65Tii30MTL  
65TiiCO30.



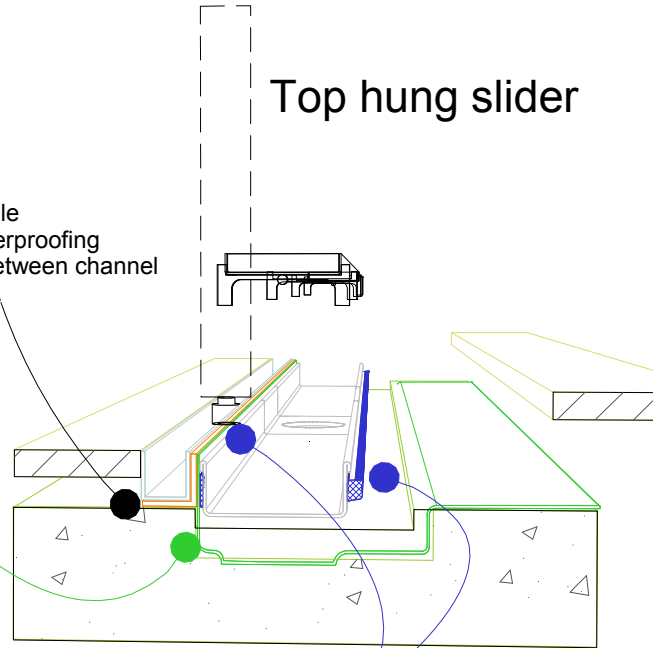
## Standard hinged door



Aluminium angle to support waterproofing and junction between channel and door sil.

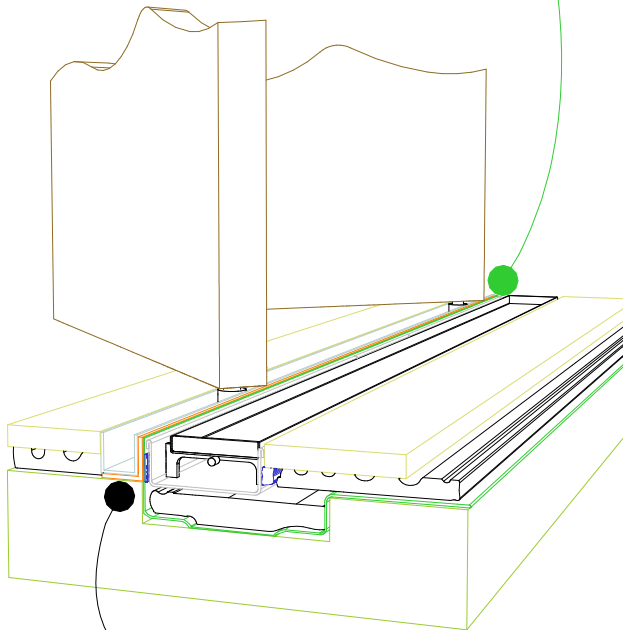
## Top hung slider

Aluminium angle to support waterproofing and junction between channel and door track.



## Waterproofing

## Bi-fold door



Aluminium angle to support waterproofing and junction between channel and door track.

For all types of threshold installation ensure both sides of the channel are sealed before laying tile.

**NOTE, ALWAYS ensure the waterproofing is completed before laying the Stormtech.**

NOTE, ensure weather strip is used on the appropriate side of the door to ensure drafts and moisture are minimised.

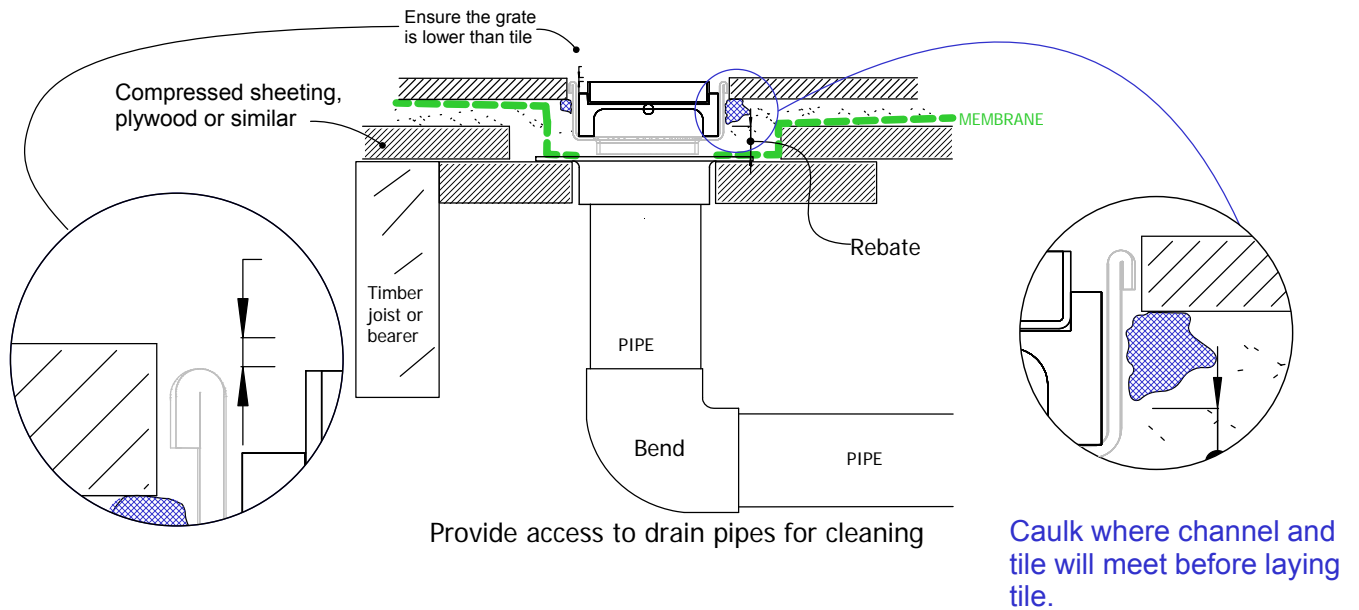


# 65Tii25/30 MTL & CO TIMBER FLOOR/DECK

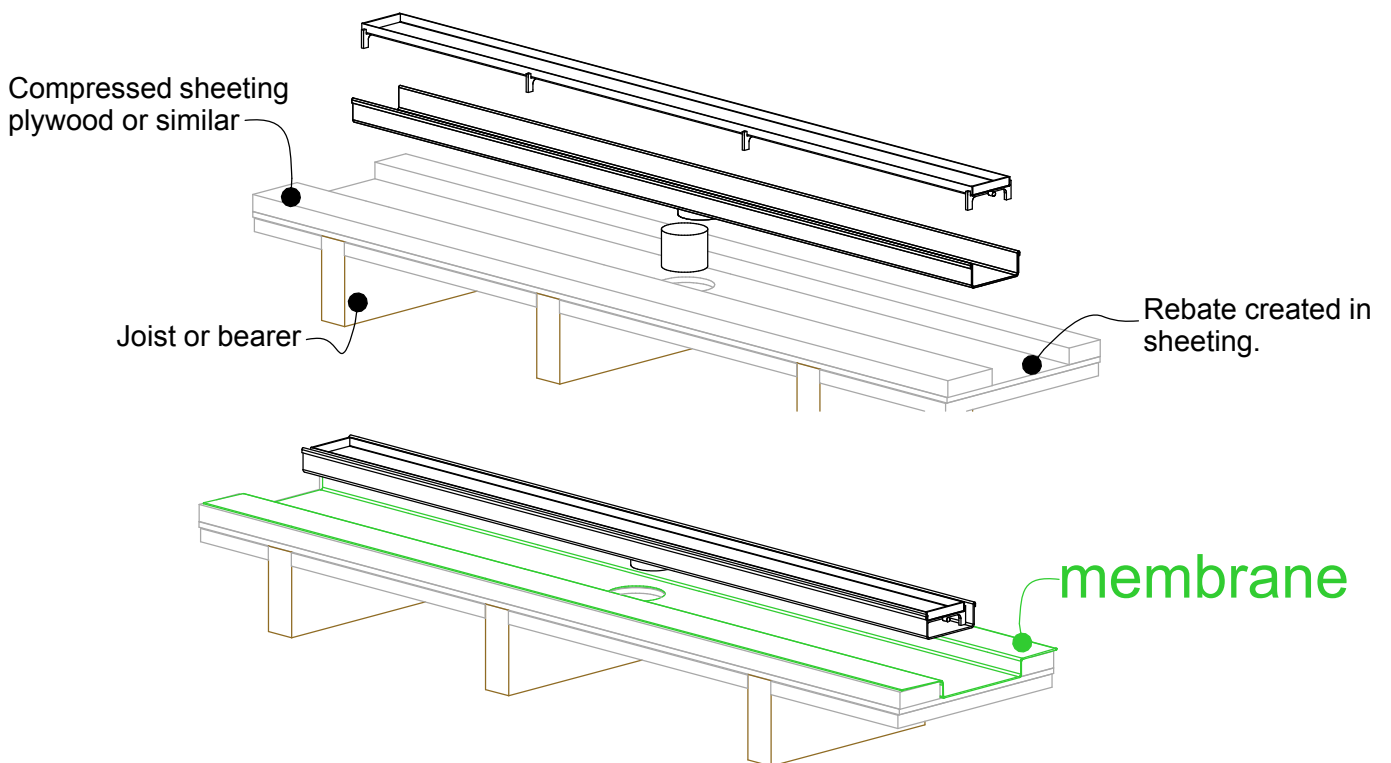
For 65TRTii25MTL, 65TRTiiCO25, 65Tii30MTL  
65TiiCO30.



When 65Tii25/30 MTL & CO is running parallel to joist/bearer



When 65Tii25/30 MTL & CO is running perpendicular to joist/bearer

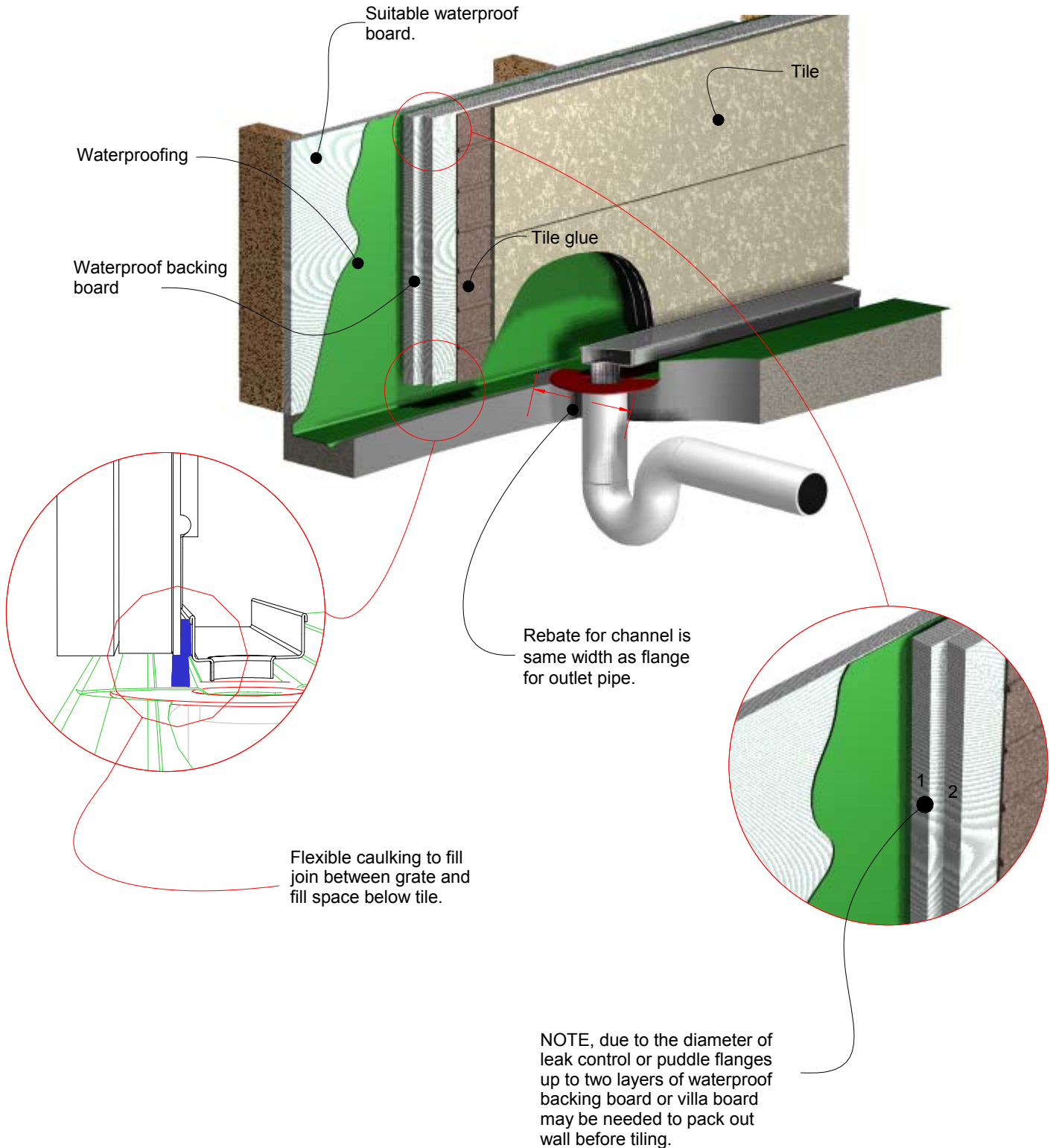


**NOTE: For exterior application allow for expansion of 1mm 3 metres by using quality suitable flexible sealant on channel joins.**



# 65Tii25/30 MTL & CO Against Wall

For 65TRTii25MTL, 65TRTiiCO25, 65Tii30MTL  
65TiiCO30.

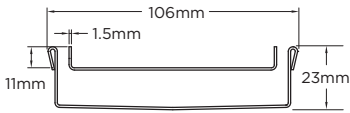


Order and Quote Form

# Made-to-Length Tile Insert Drain

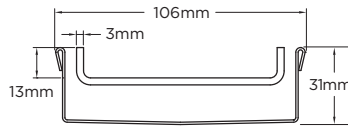


## Tray Profiles 100 Range



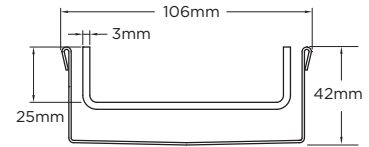
**Profile 1**

Suits tiles up to 10mm thick  
100Tii20MTL



**Profile 2**

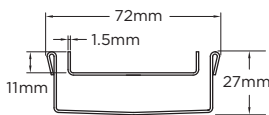
Suits tiles up to 12mm thick  
100Tii30MTL



**Profile 3**

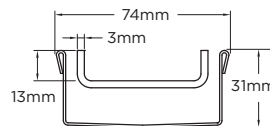
Suits tiles up to 25mm thick  
100Tii40MTL

## 65 Range



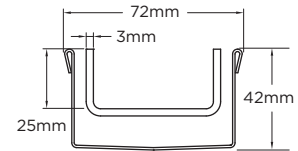
**Profile 4**

Suits tiles up to 10mm thick  
65Tii25MTL



**Profile 5**

Suits tiles up to 12mm thick  
65Tii30MTL

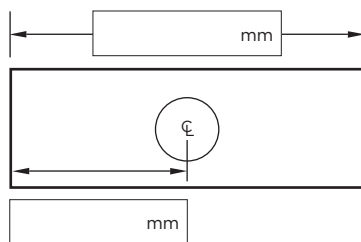


**Profile 6**

Suits tiles up to 25mm thick  
65Tii40MTL

## Specify Size, Outlet and Profile Required

### Drain 1



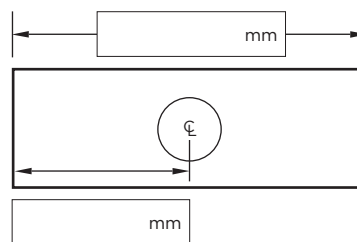
#### Profile Required

- 1     2     3  
 4     5     6

#### Outlet Size

- 38mm     44mm     51mm  
 63mm     76mm     89mm

### Drain 2



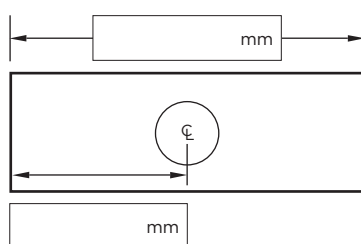
#### Profile Required

- 1     2     3  
 4     5     6

#### Outlet Size

- 38mm     44mm     51mm  
 63mm     76mm     89mm

### Drain 3



#### Profile Required

- 1     2     3  
 4     5     6

#### Outlet Size

- 38mm     44mm     51mm  
 63mm     76mm     89mm

### Please Note

See AS3500 standard & local regulator for specific outlet/drain requirements. Outlet Size must be smaller than selected Range. Stainless Steel Grade is 316 unless specified. Made-to-Length (MTL) minimum charge of 800mm. Tile Inserts longer than 1200mm are supplied in multiple sections. Channels are a maximum 3000mm in one piece, channels over 3000mm are supplied in multiple sections with joiner. +/- 2mm tolerance on dimensions.

### Full Name

### Company Name

### Telephone

### Email Address

### Order Number

### Stormtech Quote Number

### Signature

Phone 01483 346 460

Email [technical@slimlinedrain.co.uk](mailto:technical@slimlinedrain.co.uk)

[slimlinedrain.co.uk](http://slimlinedrain.co.uk)

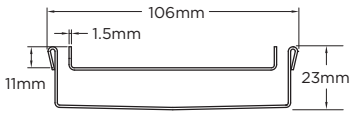


Order and Quote Form

# Made-to-Length Tile Insert Drain › Multiple Outlet

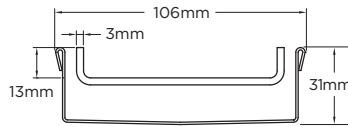


## Tray Profiles 100 Range



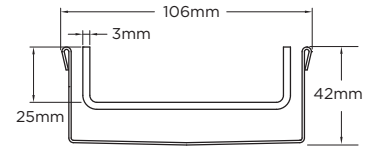
**Profile 1**

Suits tiles up to 10mm thick  
100Tii20MTL



**Profile 2**

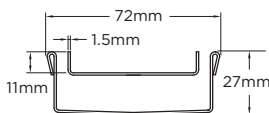
Suits tiles up to 12mm thick  
100Tii30MTL



**Profile 3**

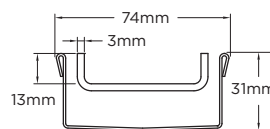
Suits tiles up to 25mm thick  
100Tii40MTL

## 65 Range



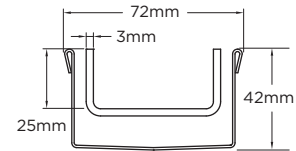
**Profile 4**

Suits tiles up to 10mm thick  
65Tii25MTL



**Profile 5**

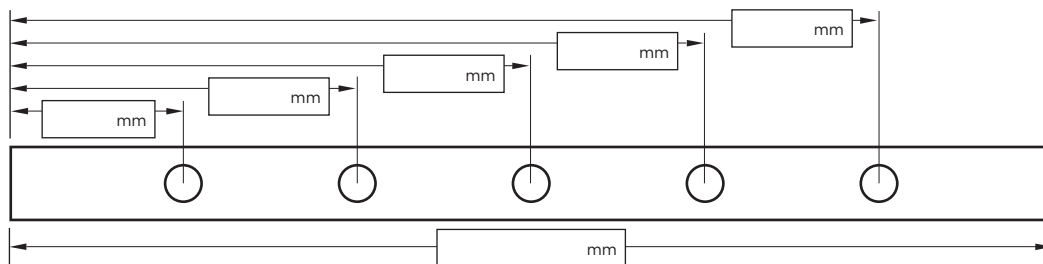
Suits tiles up to 12mm thick  
65Tii30MTL



**Profile 6**

Suits tiles up to 25mm thick  
65Tii40MTL

## Specify Length, Outlet Positions/Size and Profile Required



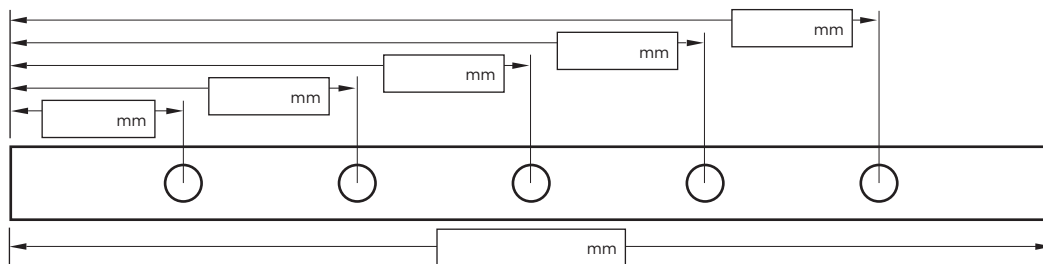
### Drain 1

#### Profile Required

1  2  3  4

#### Outlet Size

38mm  44mm  51mm  
 63mm  76mm  89mm



### Drain 2

#### Profile Required

1  2  3  4

#### Outlet Size

38mm  44mm  51mm  
 63mm  76mm  89mm

**NOTE:** See AS3500 standard & local regulator for specific outlet/drain requirements. Outlet Size must be smaller than selected Range. MND, PAS and PPS grate styles not available with Profiles 2 or 4. Stainless Steel Grade is 316 unless specified. Made-to-Length (MTL) minimum charge of 800mm. Tile Inserts longer than 1200mm supplied in multiple sections. Channels over 3000mm are supplied in multiple sections with joiner. +/- 2mm tolerance on dimensions.

Full Name

Company Name

Telephone

Email Address

Order Number

Stormtech Quote Number

Signature

Phone 01483 346 460

Email [technical@slimlinedrain.co.uk](mailto:technical@slimlinedrain.co.uk)

[slimlinedrain.co.uk](http://slimlinedrain.co.uk)

Visit [slimlinedrain.co.uk](http://slimlinedrain.co.uk)

