

ARCHITECTURAL GRATES + DRAINS



65ARi25MTL

Linear Drainage System

Stormtech is the only linear drainage system available with full Greentag and Watermark certification across our complete product range.

Telephone 01483 346460 | Web slimlinedrain.co.uk





ARCHITECTURAL
GRATES + DRAINS



65ARi25MTL

Linear Drainage System



The 65AR25 is the original premium architectural grate featuring a 2mm wire/2.5mm gap.

The 65ARi25MTL is made to specific lengths with a customised outlet position along the drain.

The complete drainage unit is full 316 marine grade stainless steel.

Refer to AS3500 for outlet pipe sizes specific to your installation.

Code 65ARi25MTL

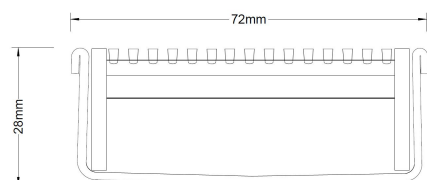
Range 65

Grate Style AR

Category Made-to-Length

Channel Material Stainless Steel

Steel Grade 316

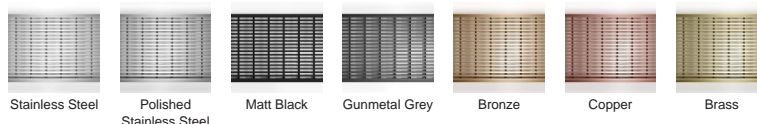


Grates longer than 1500mm supplied in sections.
Tile Inserts longer than 1200mm supplied in sections.
Channels over 3000mm supplied in sections with joiner.

SPECIFICATIONS + DIMENSIONS

Channel Width	72mm
Channel Depth	27mm
Length(s)	As Required
Outlet Size	DN40, DN50, DN65

STORMTECH COLOUR FINISHES



Electroplate finishes subject to natural variation with time and local environment.

PRODUCT APPLICATIONS

Bathroom Drainage	Pool and Spa Area Drainage
Aged / Health Care Drainage	Hospitality Drainage
Balcony Drainage	Paved Area Drainage
Commercial Drainage	Shower Drainage
Courtyard / Patio Drainage	Multi-Residential Drainage
Driveway Drainage	Special Needs Drainage

Copyright © Stormtech Pty Ltd. Patent 733361. Drawings not to scale, please use dimensions shown.



Visit slimlinedrain.co.uk
for tools + inspiration.

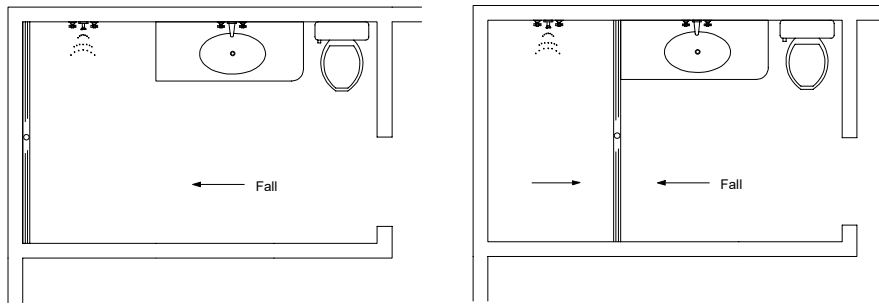
Phone 01483 346460

Email technical@slimlinedrain.co.uk

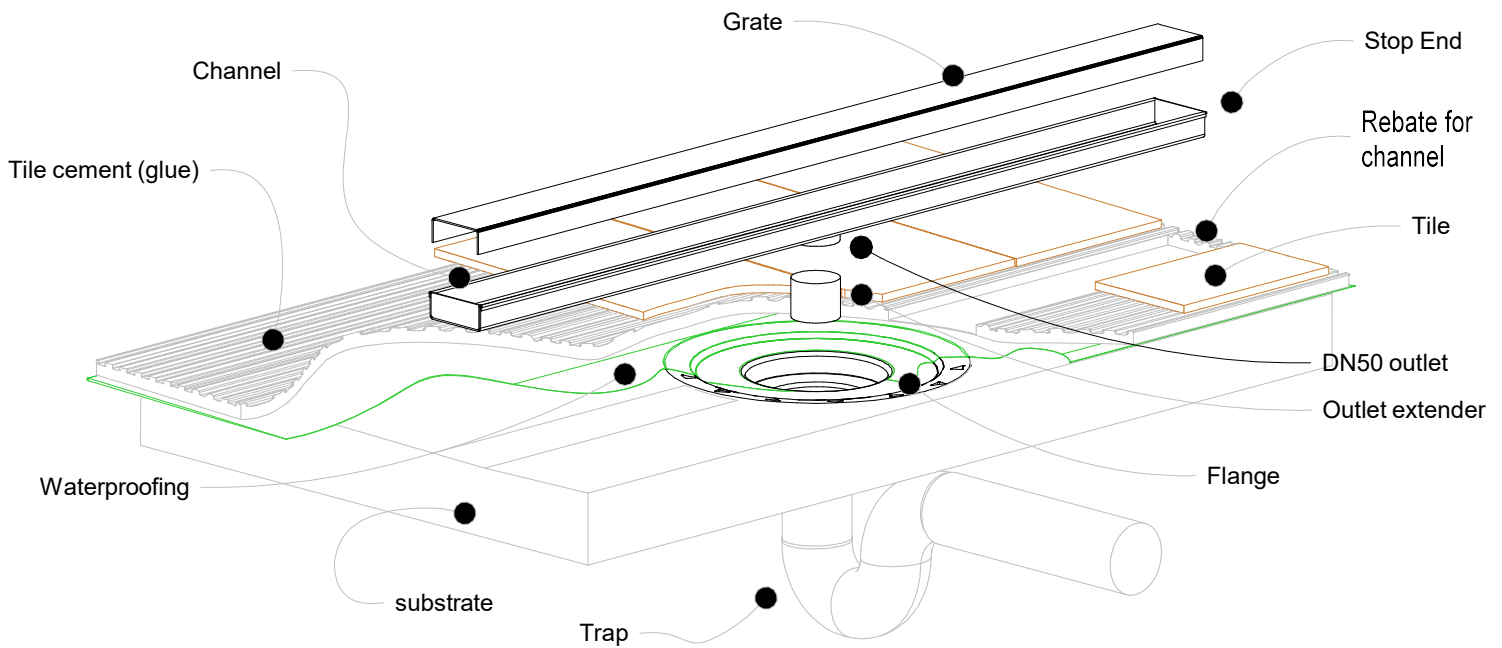
65i25MTL Bathroom



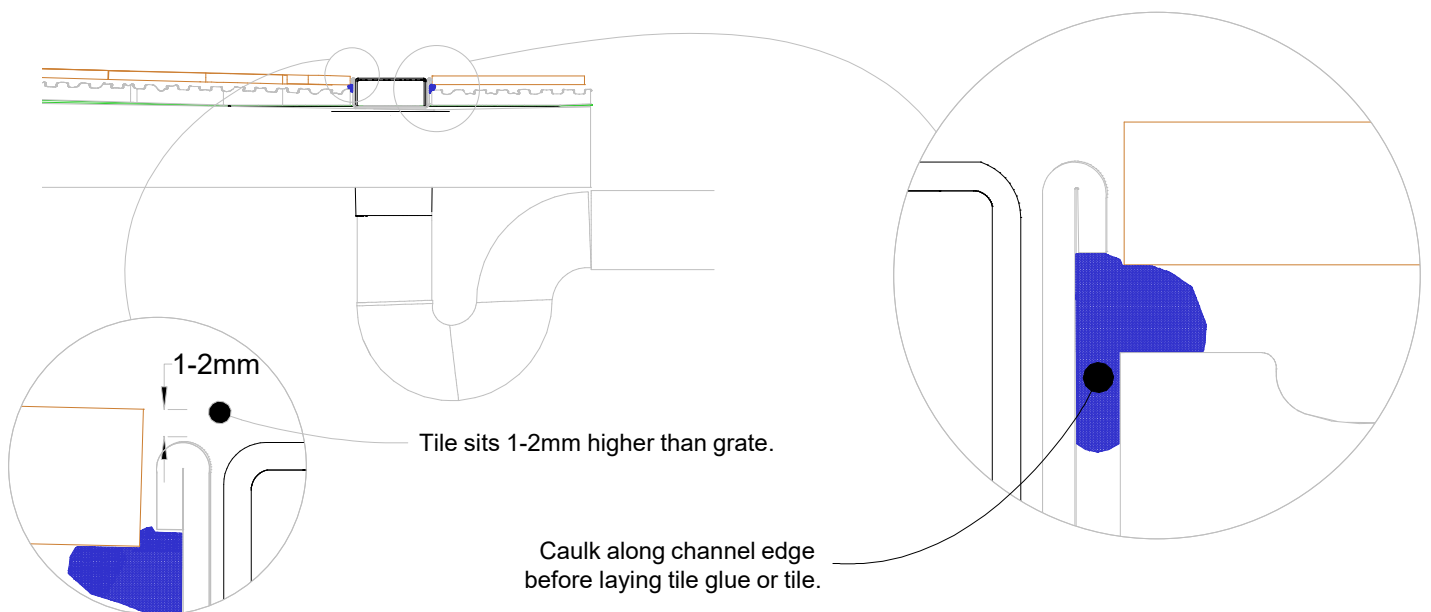
For 65ARi25MTL, 65ARiCO25, 65MNDi25MTL, 65MNDiCO25MTL, 65MNDiCO25, 65PHi25MTL, 65PHi25MTL, 65PSi25CO, 65PSi25MTL, 65PSiCO25, 65TRi25MTL, 65FTi25MTL and 65TRiCO25, 65PPSi25MTL, PASi25MTL.



NOTE, refer to AS3500 for specific outlet pipe sizes related to your specific installation.



NOTE, this method requires the channel system to be ABOVE and SEPARATE from the WATERPROOFING.



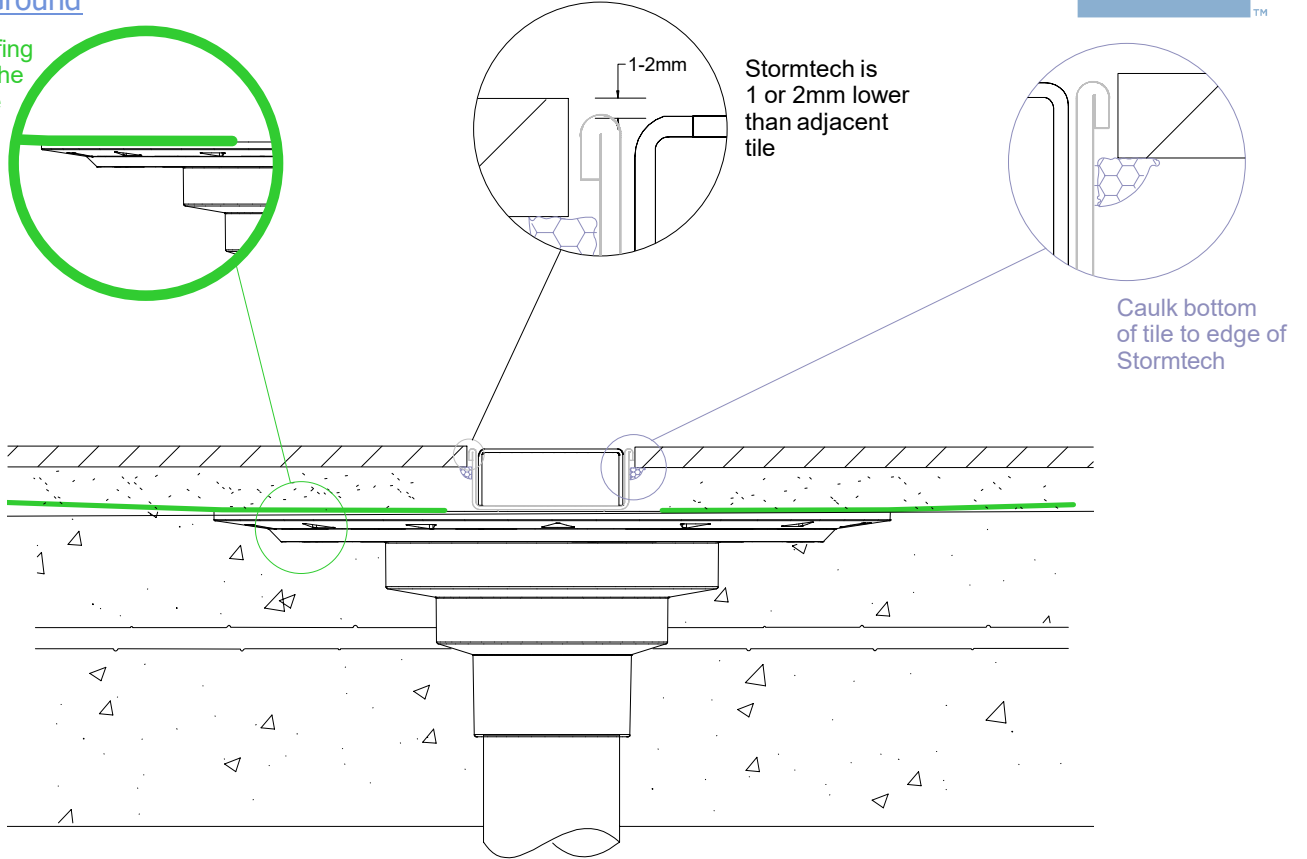
65i25MTL Concrete Floor or Deck

For 65ARi25MTL, 65ARiCO25, 65MNDi25MTL, 65MNDiCO25MTL, 65MNDiCO25, 65PHi25MTL, 65PHi25MTL, 65PSi25CO, 65PSi25MTL, 65PSiCO25, 65TRi25MTL, 65FTi25MTL and 65TRiCO25, 65PPSi25MTL, PASi25MTL.



Slab on Ground

Waterproofing is fixed to the floor flange



Suspended Slab

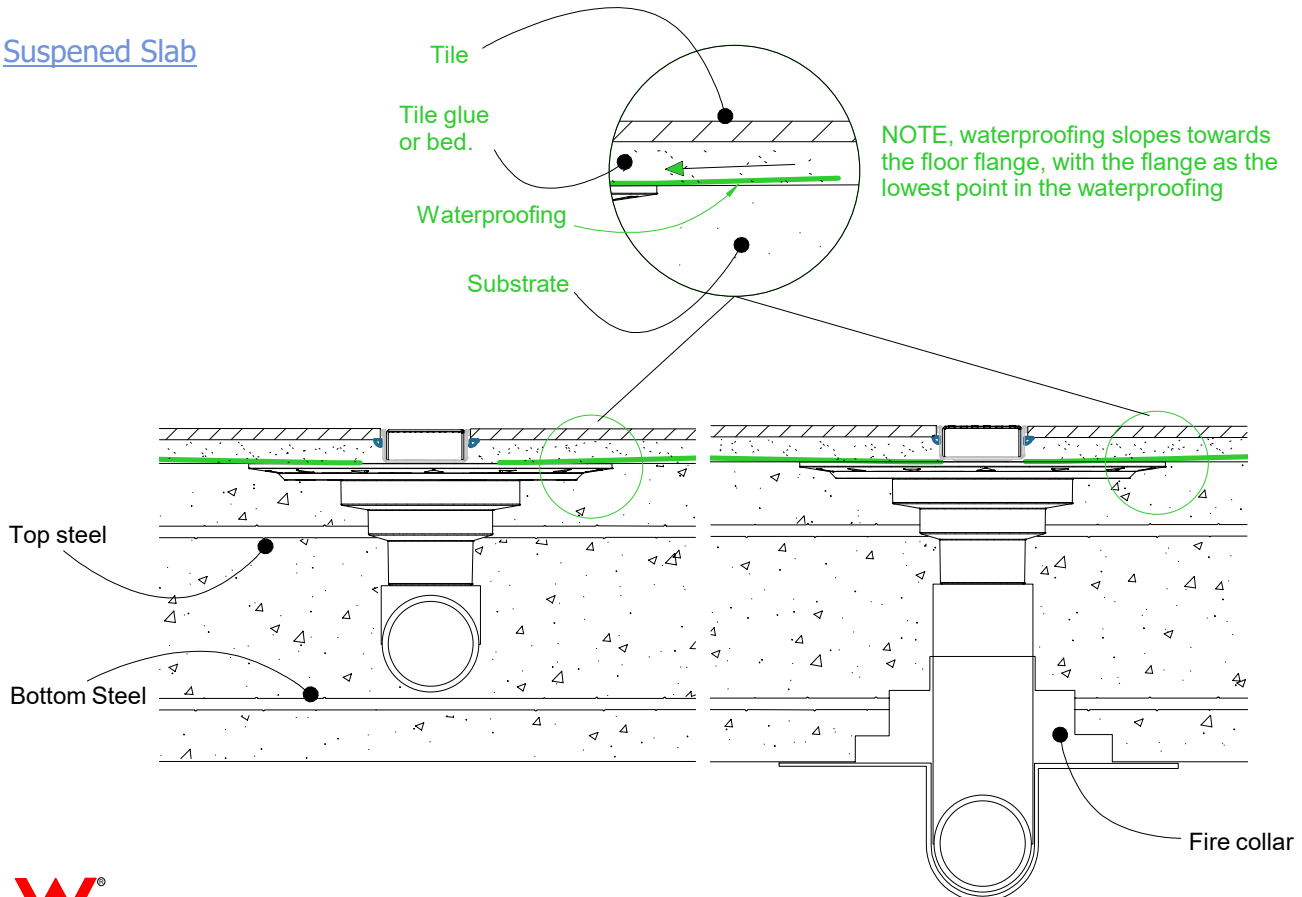
Tile

Tile glue or bed.

Waterproofing

Substrate

NOTE, waterproofing slopes towards the floor flange, with the flange as the lowest point in the waterproofing

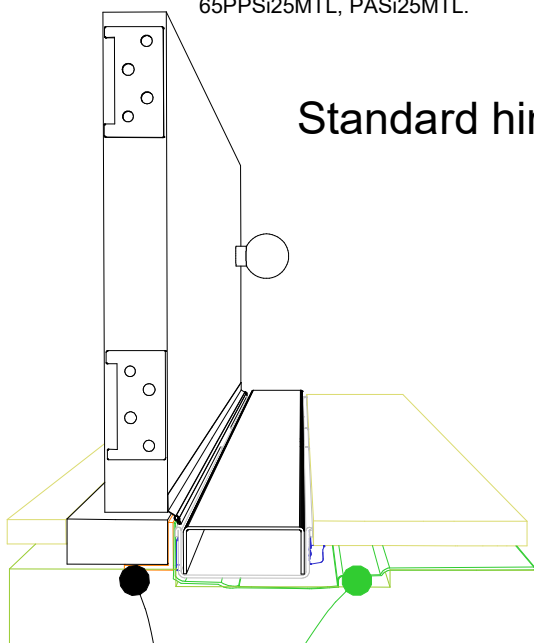


65i25MTL Threshold installation suggestion



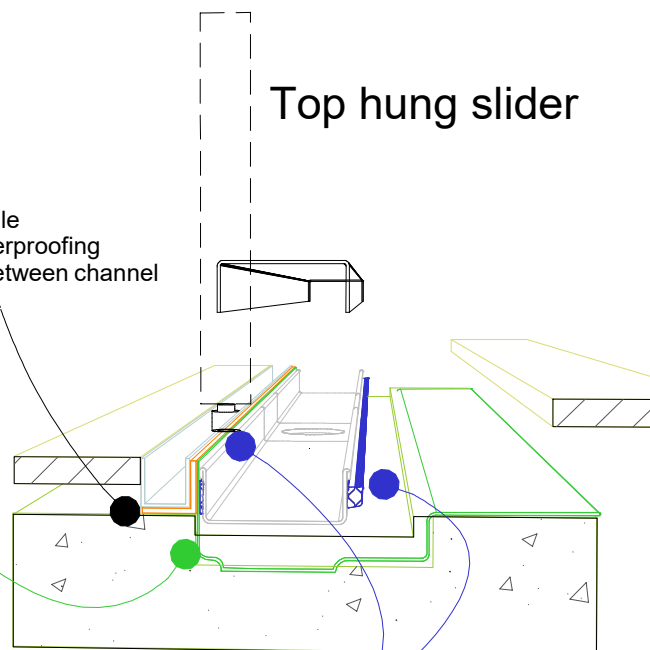
For 65ARI25MTL, 65ARiCO25, 65MNDi25MTL, 65MNDiCO25MTL, 65MNDiCO25, 65PHi25MTL, 65PHi25MTL, 65PSi25CO, 65PSi25MTL, 65PSiCO25, 65TRi25MTL, 65FTi25MTL and 65TRiCO25, 65PPSi25MTL, PASi25MTL.

Standard hinged door



Aluminium angle to support waterproofing and junction between channel and door sil.

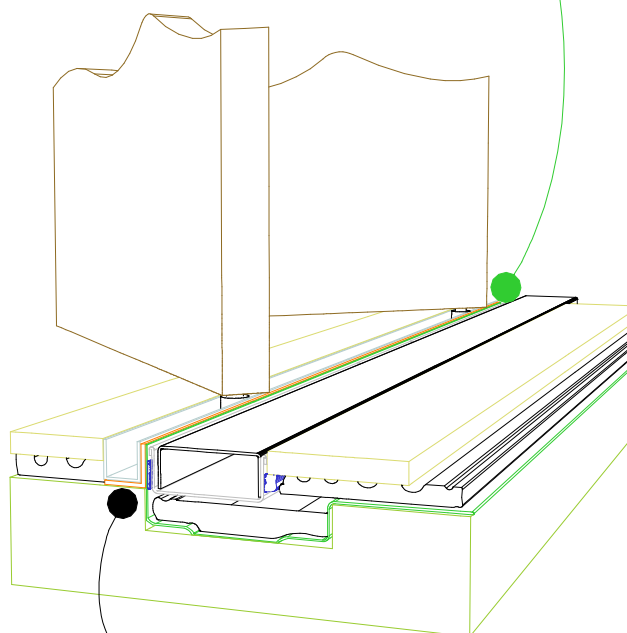
Top hung slider



Aluminium angle to support waterproofing and junction between channel and door track.

Waterproofing

Bi-fold door



Aluminium angle to support waterproofing and junction between channel and door track.

For all types of threshold installation ensure both sides of the channel are sealed before laying tile.

NOTE, ALWAYS ensure the waterproofing is completed before laying the Stormtech.

NOTE, ensure weather stip is used on the appropriate side of the door to ensure drafts and moisture are minimised.

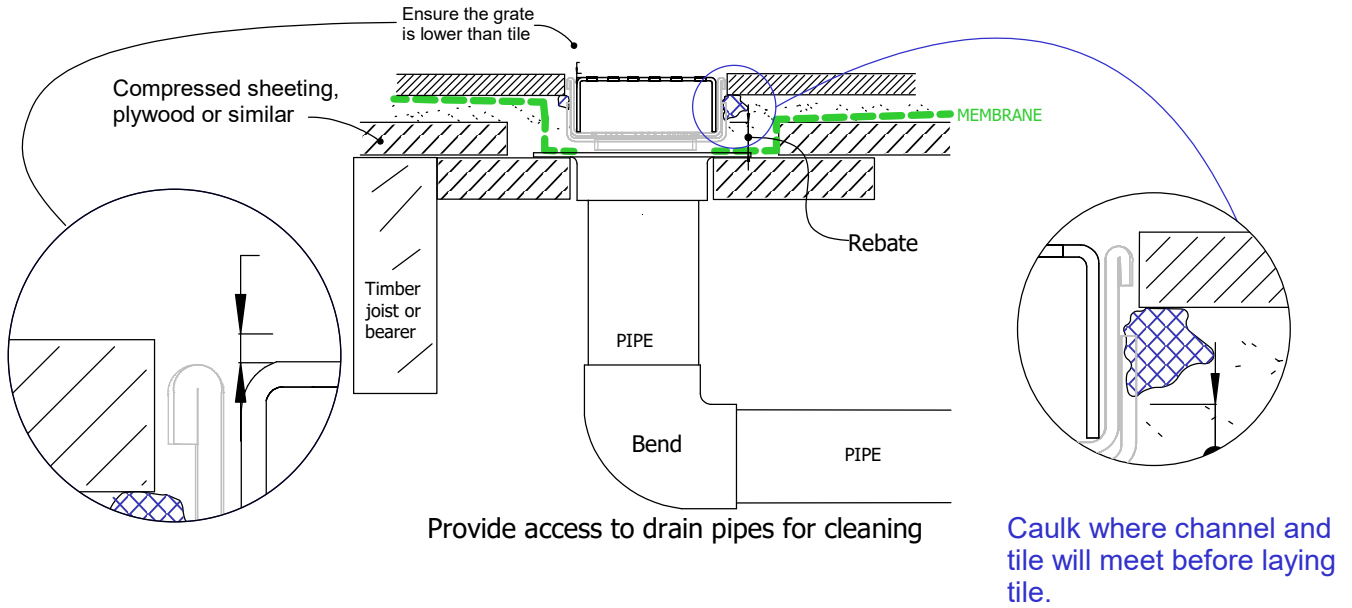


65i25MTL TIMBER FLOOR/DECK

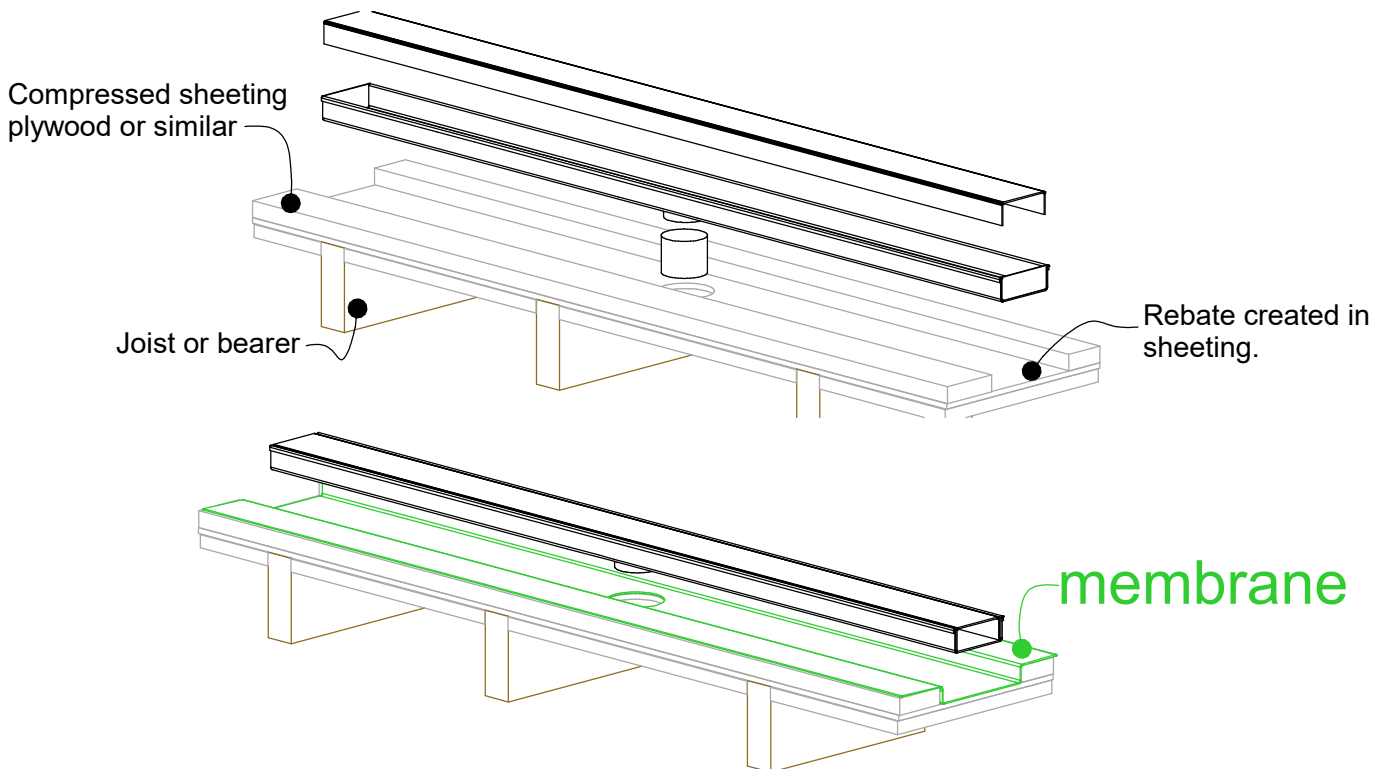
For 65ARi25MTL, 65ARiCO25, 65MNDi25MTL, 65MNDiCO25MTL, 65MNDiCO25, 65PHi25MTL, 65PHi25MTL, 65PSi25CO, 65PSi25MTL, 65PSiCO25, 65TRi25MTL, 65FTi25MTL and 65TRiCO25, 65PPSi25MTL, PASi25MTL.



When 65i25MTL is running parallel to joist/bearer



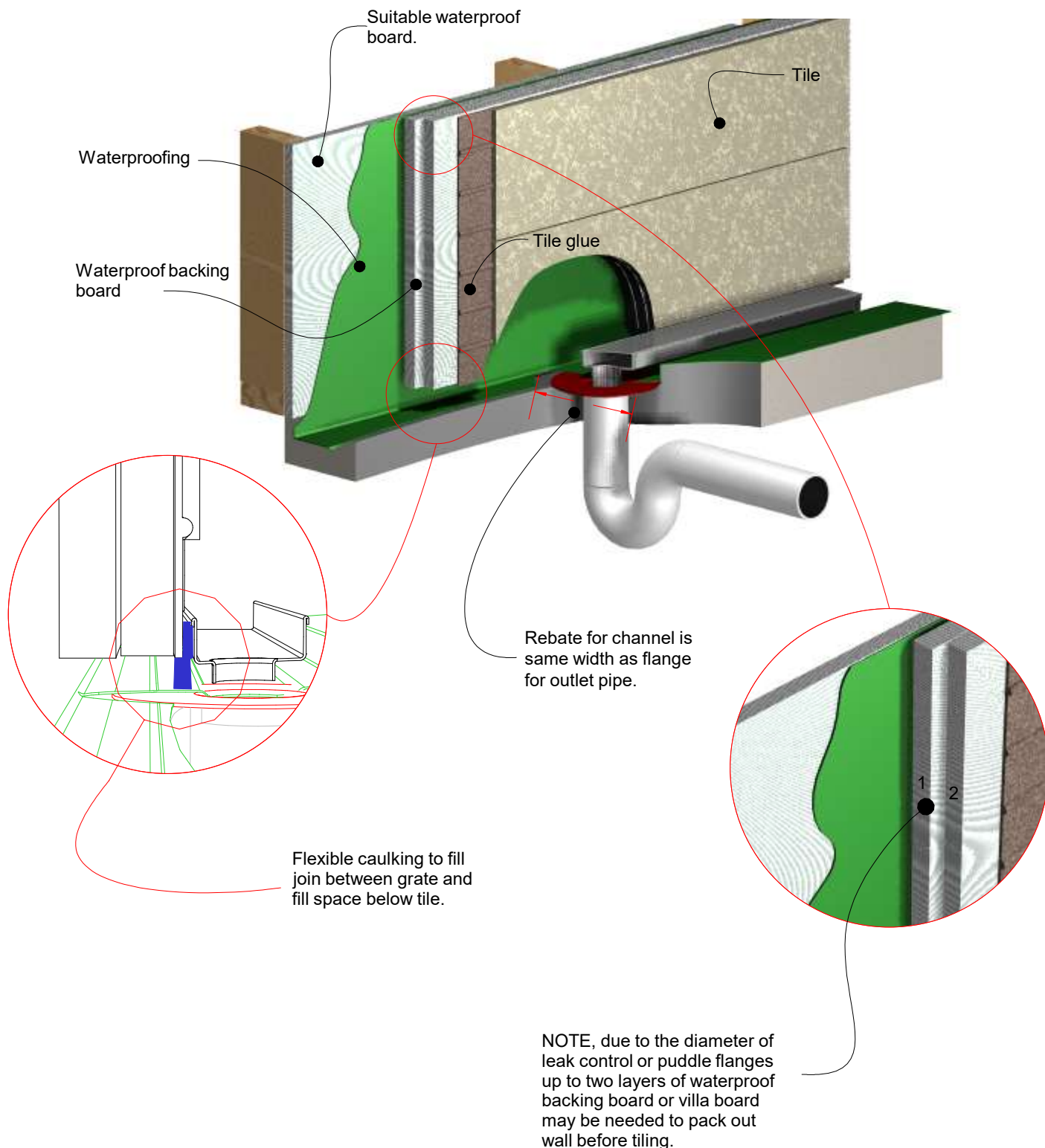
When 65i25MTL is running perpendicular to joist/bearer



NOTE: For exterior application allow for expansion of 1mm 3 metres by using quality suitable flexible sealant on channel joins.

65i25MTL Against Wall

For 65ARi25MTL, 65ARiCO25, 65MNDi25MTL, 65MNDiCO25MTL, 65MNDiCO25, 65PHi25MTL, 65PHi25MTL, 65PSi25CO, 65PSi25MTL, 65PSiCO25, 65TRi25MTL, 65FTi25MTL and 65TRiCO25, 65PPSi25MTL, PASi25MTL.



Order and Quote Form

Made-to-Length Linear Drainage

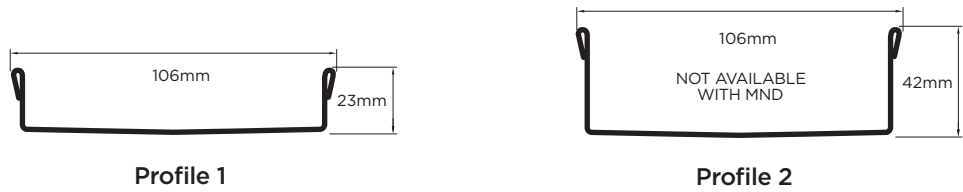


Select Grate Style

<input type="checkbox"/> AR Architectural 2mm wire 2.5mm gap	<input type="checkbox"/> TR Standard 3mm wire 5mm gap	<input type="checkbox"/> PS Punched Slot	<input type="checkbox"/> MND Marc Newson	<input type="checkbox"/> PAS Punched Angle Slot	<input type="checkbox"/> PPS Punched Perpendicular Slot

Tray Profiles

100 Range



65 Range



Specify Size, Outlet and Profile Required

Drain 1

mm

Profile Required
 1 2 3 4

Outlet Size
 38mm 44mm 51mm
 63mm 76mm 89mm

mm

Drain 2

mm

Profile Required
 1 2 3 4

Outlet Size
 38mm 44mm 51mm
 63mm 76mm 89mm

mm

Drain 3

mm

Profile Required
 1 2 3 4

Outlet Size
 38mm 44mm 51mm
 63mm 76mm 89mm

mm

Please Note
 See AS3500 standard & local regulator for specific outlet/drain requirements. Outlet Size must be smaller than selected Range. MND grate style not available with Profiles 2 or 4. Stainless Steel Grade is 316 unless specified. Made-to-Length (MTL) minimum charge of 800mm. Grates longer than 1500mm are supplied in multiple sections. Channels are a maximum 3000mm in one piece, channels over 3000mm are supplied in multiple sections with joiner.
 +/- 2mm tolerance on dimensions.

Full Name

Company Name

Telephone

Email Address

Order Number **Stormtech Quote Number**

Signature

Order and Quote Form

Made-to-Length Linear Drainage › Multiple Outlet



Select Grate Style

<input type="checkbox"/> AR Architectural 2mm wire 2.5mm gap	<input type="checkbox"/> TR Standard 3mm wire 5mm gap	<input type="checkbox"/> PS Punched Slot	<input type="checkbox"/> MND Marc Newson	<input type="checkbox"/> PAS Punched Angle Slot	<input type="checkbox"/> PPS Punched Perpendicular Slot

Tray Profiles

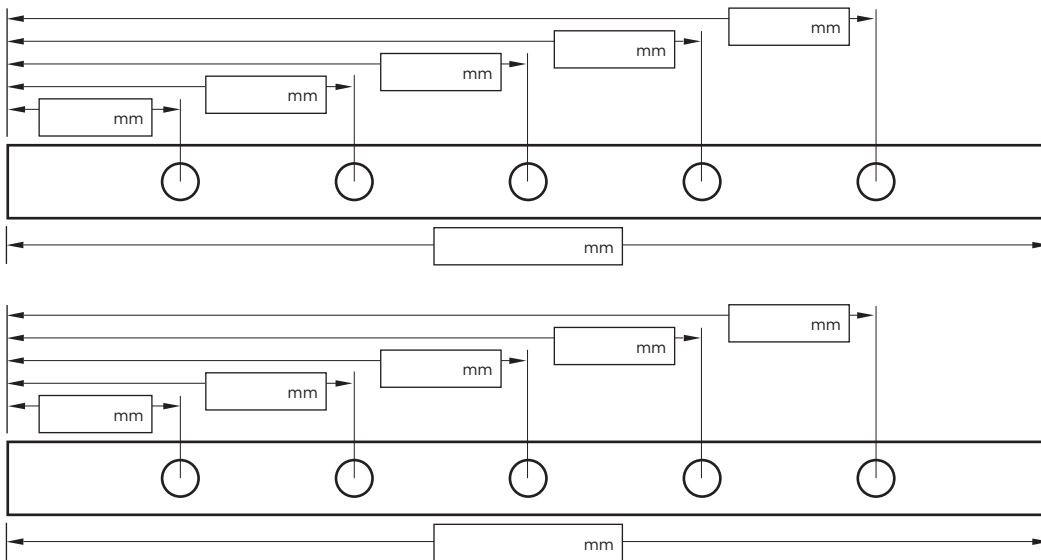
100 Range



65 Range



Specify Length, Outlet Positions/Size and Profile Required



Drain 1

Profile Required
 1 2 3 4

Outlet Size
 38mm 44mm 51mm
 63mm 76mm 89mm

Drain 2

Profile Required
 1 2 3 4

Outlet Size
 38mm 44mm 51mm
 63mm 76mm 89mm

NOTE: See AS3500 standard & local regulator for specific outlet/drain requirements. Outlet Size must be smaller than selected Range. MND grate style not available with Profiles 2 or 4. Stainless Steel Grade is 316 unless specified. Made-to-Length (MTL) minimum charge of 800mm. Grates over 1500mm are supplied in multiple sections. Channels over 3000mm are supplied in multiple sections with joiner. Orders received after 11am are processed next working day. +/- 2mm tolerance on dimensions.

Full Name

Company Name

Telephone

Email Address

Order Number **Stormtech Quote Number**

Signature

Visit slimlinedrain.co.uk

