

ARCHITECTURAL GRATES + DRAINS



SQ100PAS

Stormtech is the only linear drainage system available with full Greentag and Watermark certification across our complete product range.

Telephone 01483 346460 | Web slimlinedrain.co.uk





ARCHITECTURAL
GRATES + DRAINS



SQ100PAS



Square Floor waste with a punched angle slot grate

The SQ Range of floor waste units allow the integration of a standard floor waste with Stormtech linear drainage.

Floor waste measures 103mm x 103mm.

Available with 76mm, 44mm or 38mm outlet

Code SQ100PAS

Range Square

Grate Style PAS

Category Fixed-Length Units

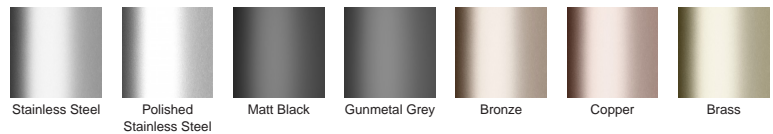
Channel Material Stainless Steel

Steel Grade 316

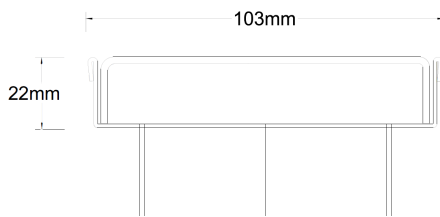
SPECIFICATIONS + DIMENSIONS

Channel Width	103mm
Channel Depth	22mm
Length(s)	103mm
Outlet Size	DN40, DN50, DN80

STORMTECH COLOUR FINISHES



Electroplate finishes subject to natural variation with time and local environment. Factors such as pools/surf beaches may require electropolishing. Contact us for suitability.



Grates longer than 1500mm supplied in sections.
Tile Inserts longer than 1200mm supplied in sections.
Channels over 3000mm supplied in sections with joiner.
+/-2mm tolerance on dimensions.

PRODUCT APPLICATIONS

- Bathroom Drainage
- Hospitality Drainage
- Shower Drainage
- Multi-Residential Drainage

Copyright © Stormtech Pty Ltd. Patent 733361. Drawings not to scale, please use dimensions shown.



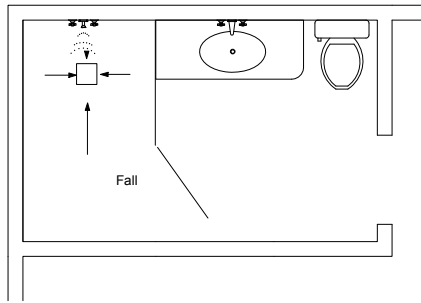
Visit slimlinedrain.co.uk
for tools + inspiration.

Phone 01483 346460

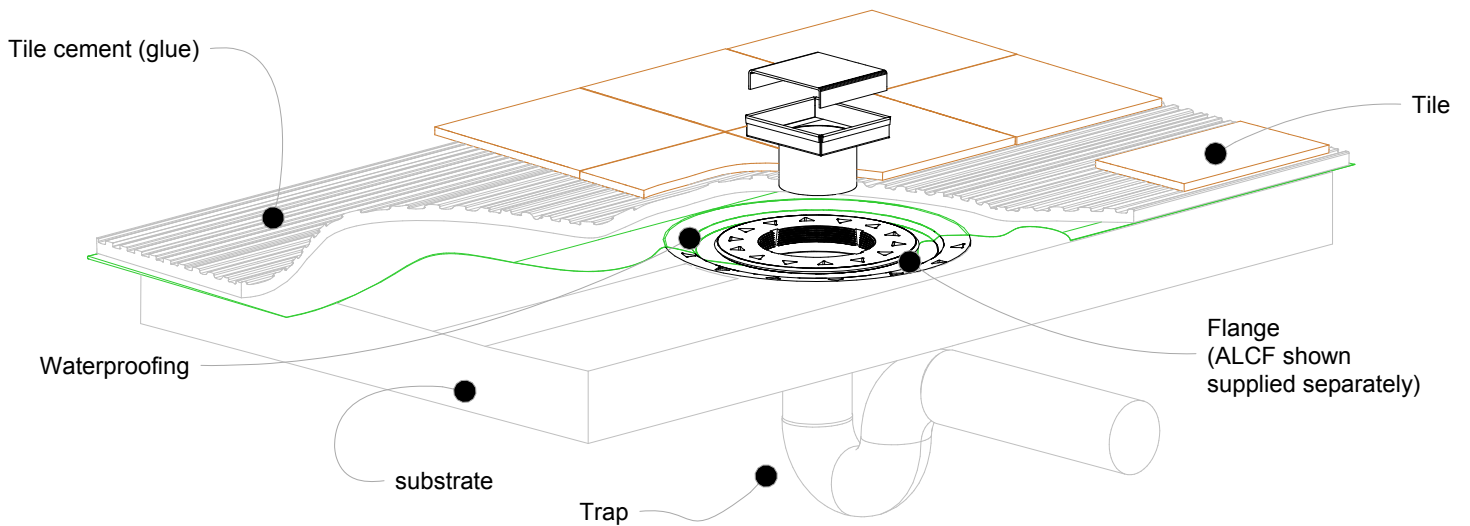
Email technical@slimlinedrain.co.uk

SQ100 Bathroom

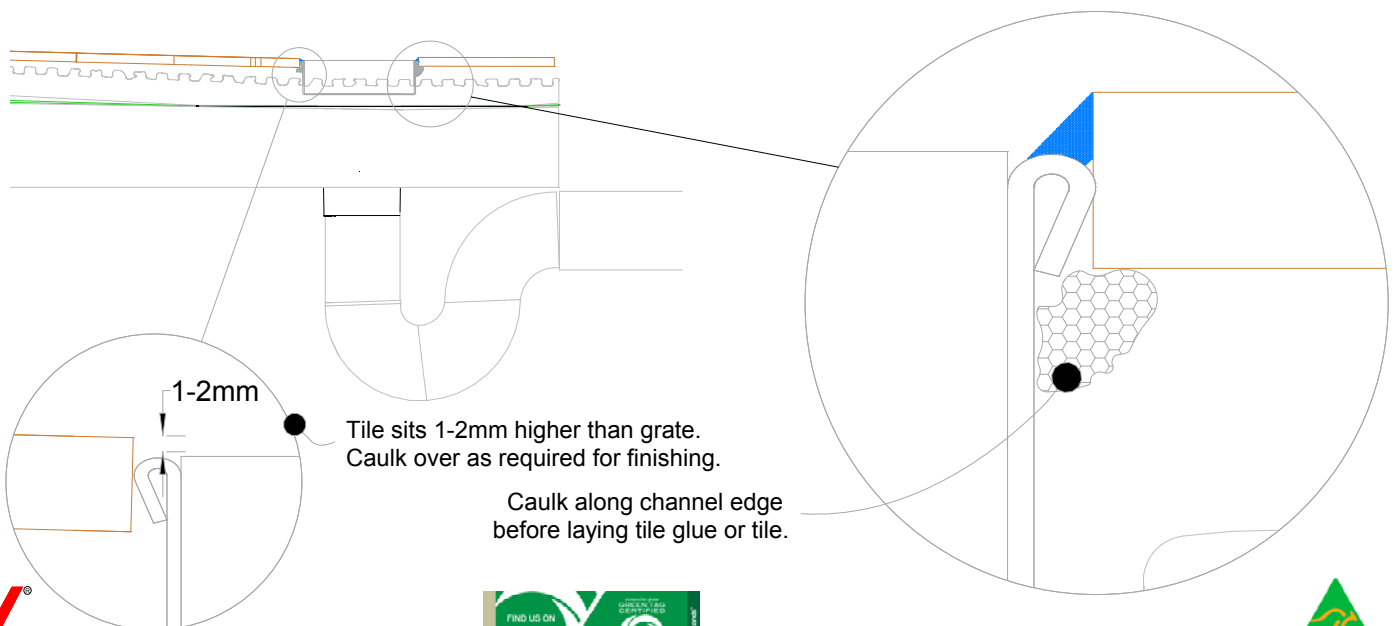
For SQ100AR, SQ100MND, SQ100PH
SQ100PS, and SQ100TR



NOTE, refer to AS3500 for specific outlet pipe sizes related to your specific installation.



NOTE, this method requires the channel system to be above and separate from the waterproofing



Visit slimlinedrain.co.uk

