

ARCHITECTURAL GRATES + DRAINS



# 65PASI25MTL

## Linear Drain

Stormtech is the only linear drainage system available with full Greentag and Watermark certification across our complete product range.

Telephone 01483 346460 | Web [slimlinedrain.co.uk](http://slimlinedrain.co.uk)



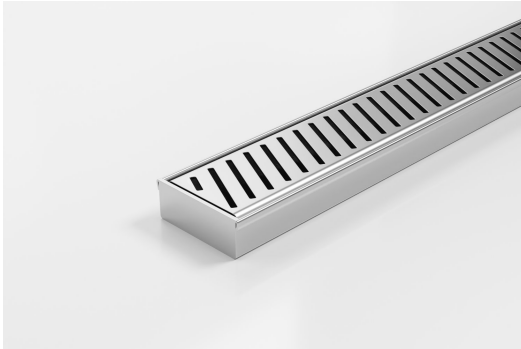


ARCHITECTURAL  
GRATES + DRAINS



# 65PASi25MTL

## Linear Drain



All stainless steel drainage unit made to specified length with specified outlet position. New Punched Angle Slot Grate

The 65PAS25 is a Punched Perpendicular Slot grate design.

Manufactured from 316 marine grade the 65PAS25 is 65mm wide and 25mm deep.

Refer to AS3500 for outlet pipe sizes specific to your installation.

**Code** 65PASi25MTL

**Range** 65

**Grate Style** PAS

**Category** Made-to-Length

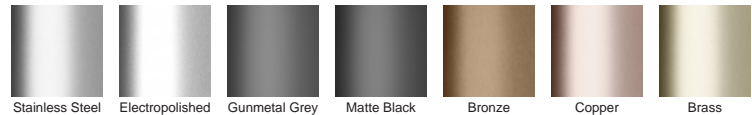
**Channel Material** Stainless Steel

**Steel Grade** 316

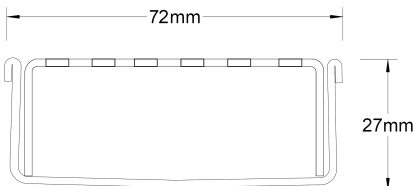
### SPECIFICATIONS + DIMENSIONS

Channel Width	72mm
Channel Depth	27mm
Length(s)	As Required
Outlet Size	DN40, DN50, DN65

### STORMTECH COLOUR FINISHES



Electroplate finishes subject to natural variation with time and local environment. Factors such as pools/surf beaches may require electropolishing. Contact us for suitability.



Grates longer than 1500mm supplied in sections. Tile Inserts longer than 1200mm supplied in sections. Channels over 3000mm supplied in sections with joiner. +/-2mm tolerance on dimensions.

### PRODUCT APPLICATIONS

- Bathroom Drainage
- Aged / Health Care Drainage
- Balcony Drainage
- Commercial Drainage
- Courtyard / Patio Drainage
- Pool and Spa Area Drainage
- Hospitality Drainage
- Paved Area Drainage
- Shower Drainage
- Multi-Residential Drainage
- Special Needs Drainage
- Threshold Drainage

Copyright © Stormtech Pty Ltd. Patent 733361. Drawings not to scale, please use dimensions shown. Downloaded 09/02/2024 (please check for updates)



Visit [slimlinedrain.co.uk](http://slimlinedrain.co.uk)  
for tools + inspiration.

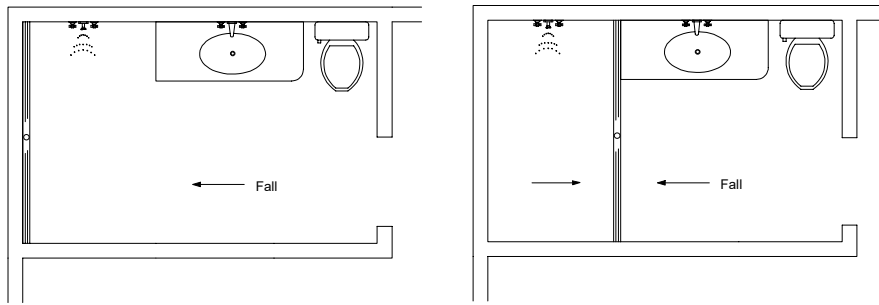
Phone 01483 346460

Email [technical@slimlinedrain.co.uk](mailto:technical@slimlinedrain.co.uk)

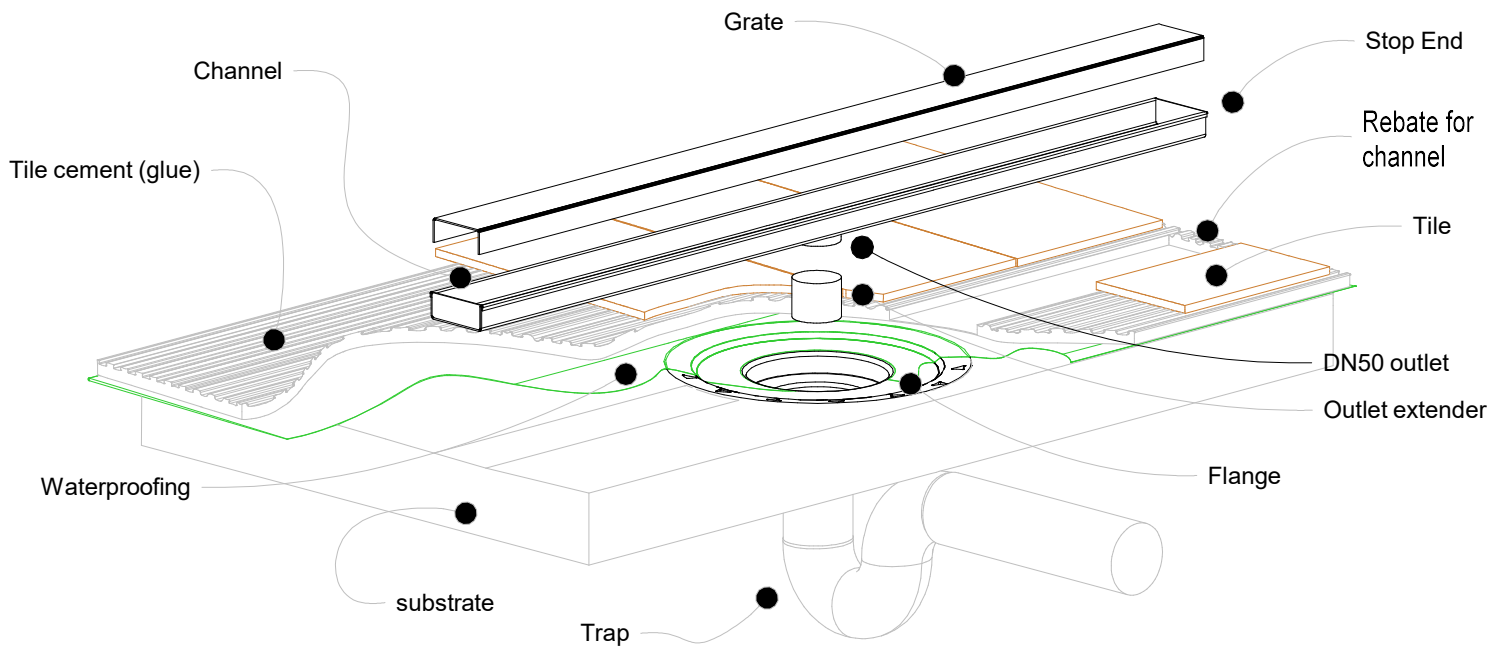
# 65i25MTL Bathroom



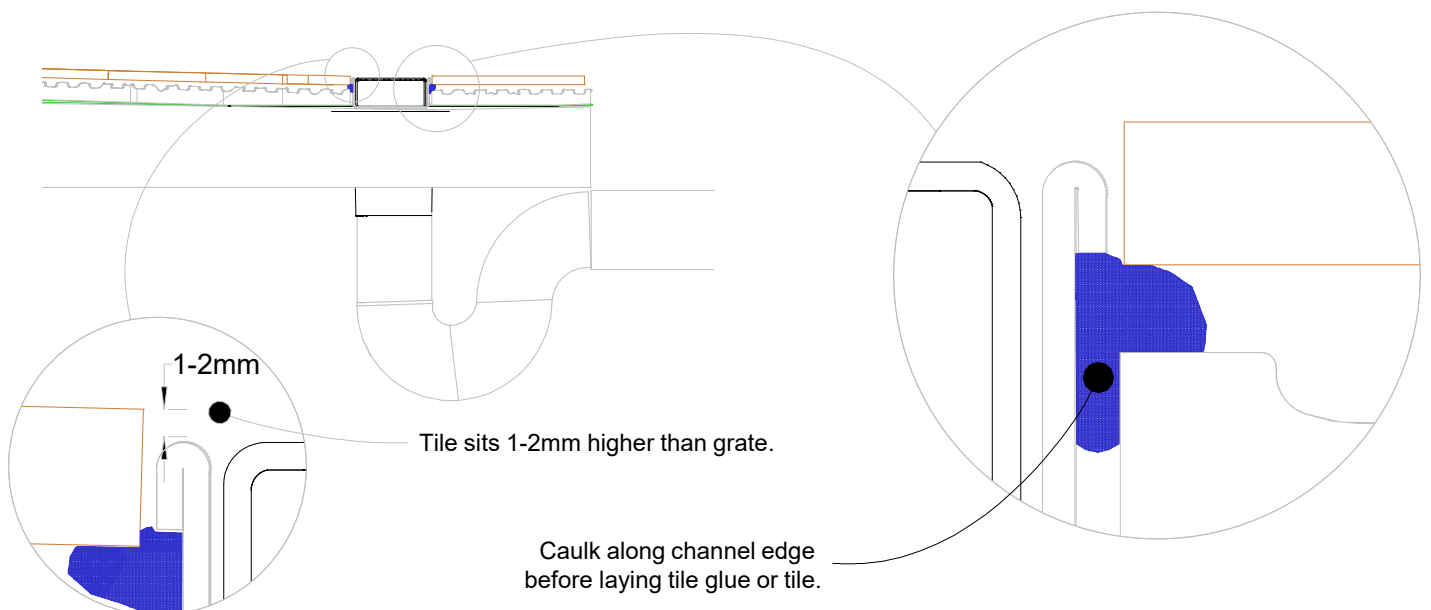
For 65ARi25MTL, 65ARiCO25, 65MNDi25MTL, 65MNDiCO25MTL, 65MNDiCO25, 65PHi25MTL, 65PHi25MTL, 65PSi25CO, 65PSi25MTL, 65PSiCO25, 65TRi25MTL, 65FTi25MTL and 65TRiCO25, 65PPSi25MTL, PASi25MTL.



NOTE, refer to AS3500 for specific outlet pipe sizes related to your specific installation.



NOTE, this method requires the channel system to be ABOVE and SEPARATE from the WATERPROOFING.



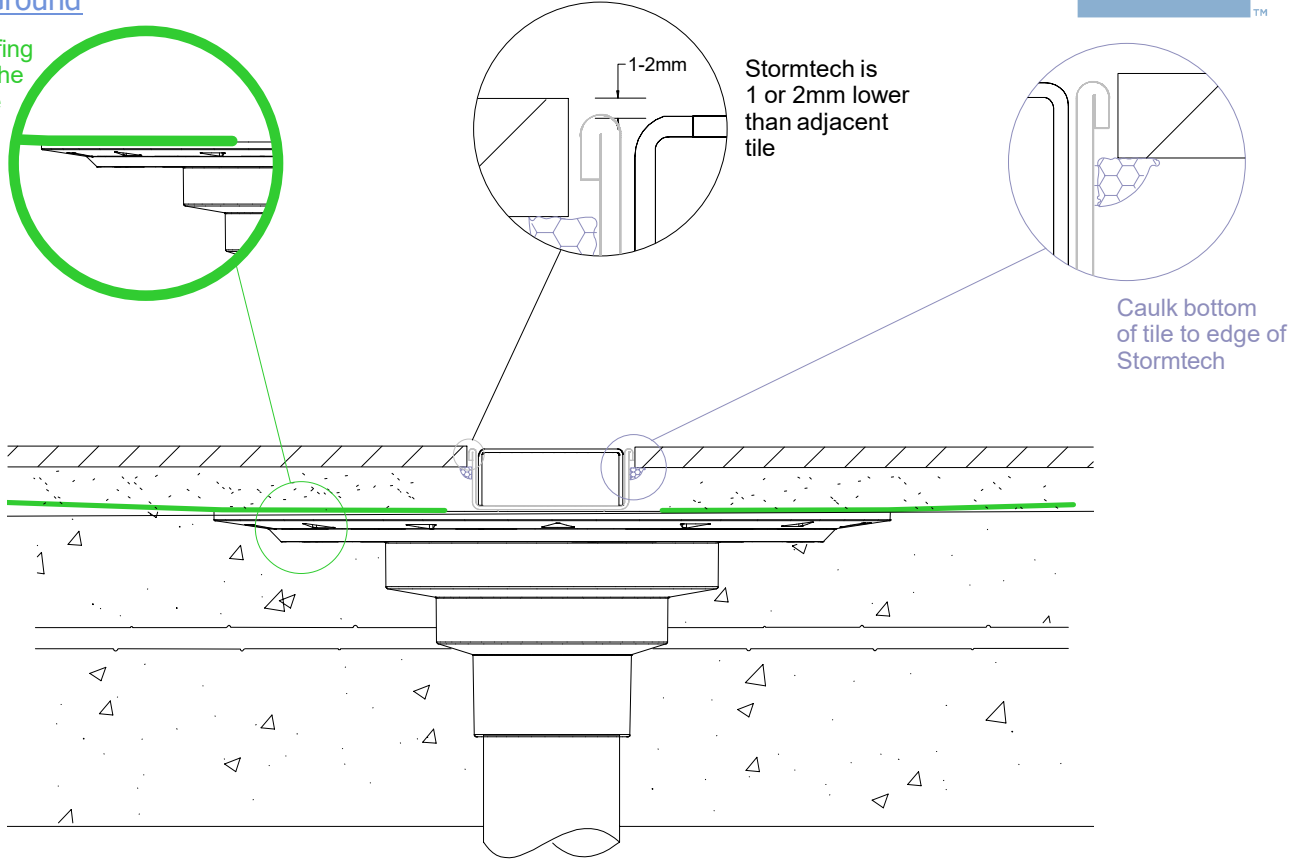
# 65i25MTL Concrete Floor or Deck

For 65ARi25MTL, 65ARiCO25, 65MNDi25MTL, 65MNDiCO25MTL, 65MNDiCO25, 65PHi25MTL, 65PHi25MTL, 65PSi25CO, 65PSi25MTL, 65PSiCO25, 65TRi25MTL, 65FTi25MTL and 65TRiCO25, 65PPSi25MTL, PASi25MTL.



## Slab on Ground

Waterproofing is fixed to the floor flange



## Suspended Slab

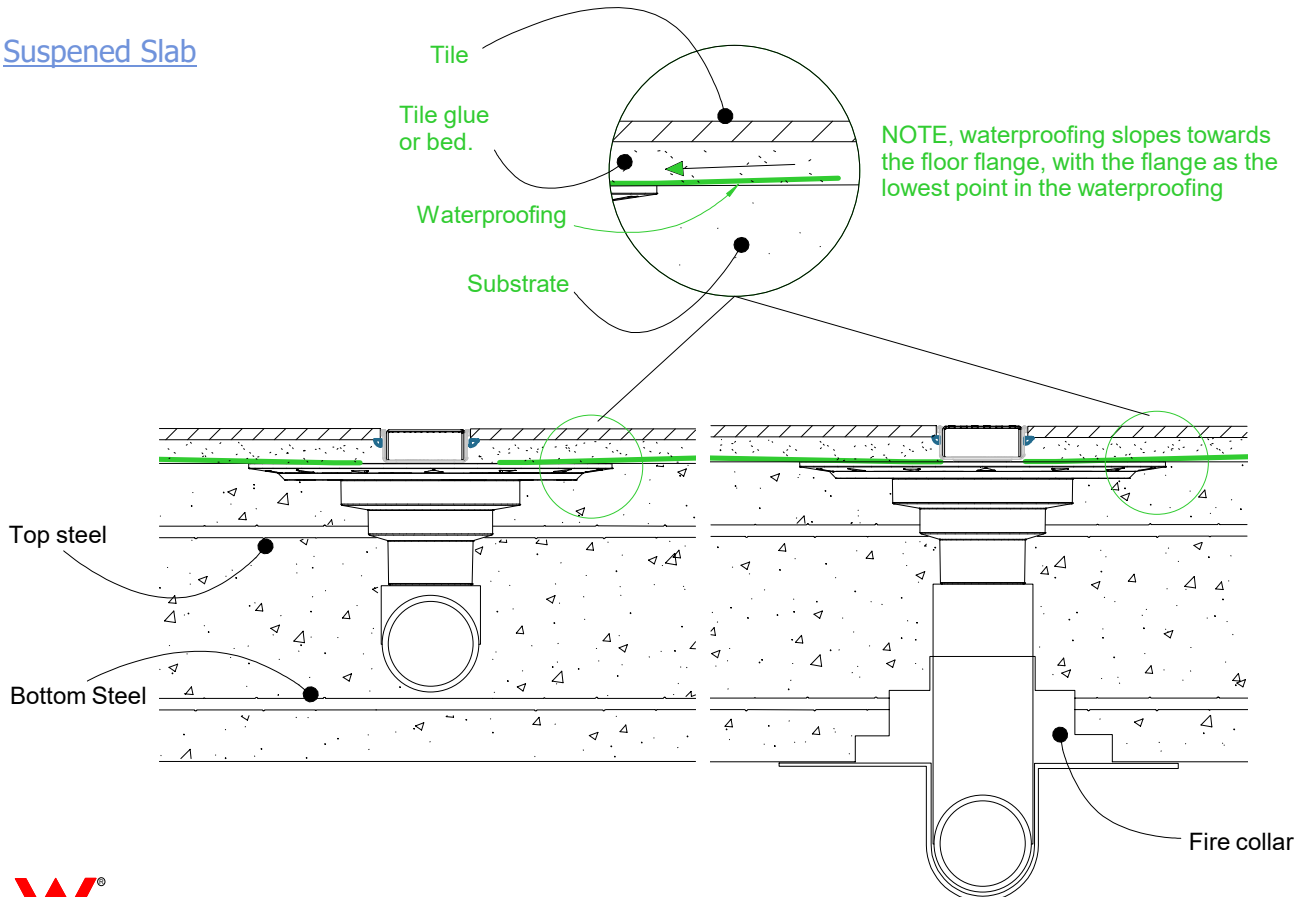
Tile

Tile glue or bed.

Waterproofing

Substrate

NOTE, waterproofing slopes towards the floor flange, with the flange as the lowest point in the waterproofing

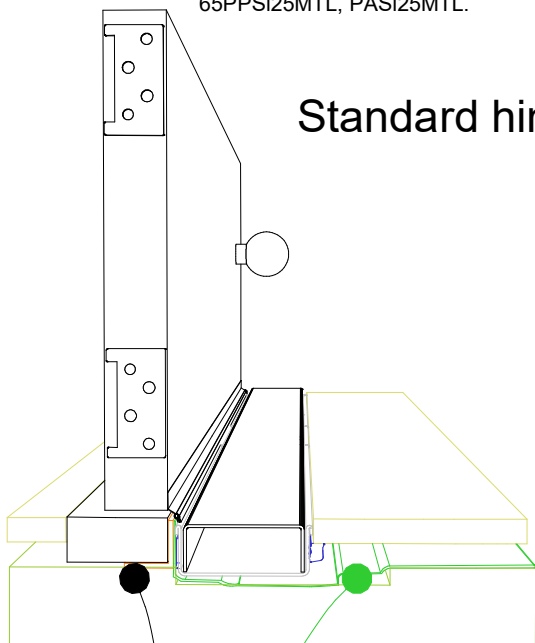


# 65i25MTL Threshold installation suggestion



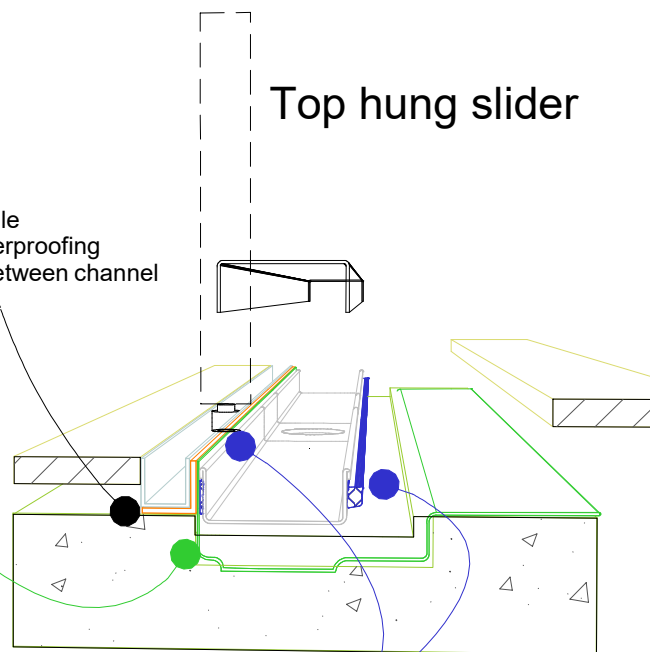
For 65ARi25MTL, 65ARiCO25, 65MNDi25MTL, 65MNDiCO25MTL, 65MNDiCO25, 65PHi25MTL, 65PHi25MTL, 65PSi25CO, 65PSi25MTL, 65PSiCO25, 65TRi25MTL, 65FTi25MTL and 65TRiCO25, 65PPSi25MTL, PASi25MTL.

## Standard hinged door



Aluminium angle to support waterproofing and junction between channel and door sil.

## Top hung slider

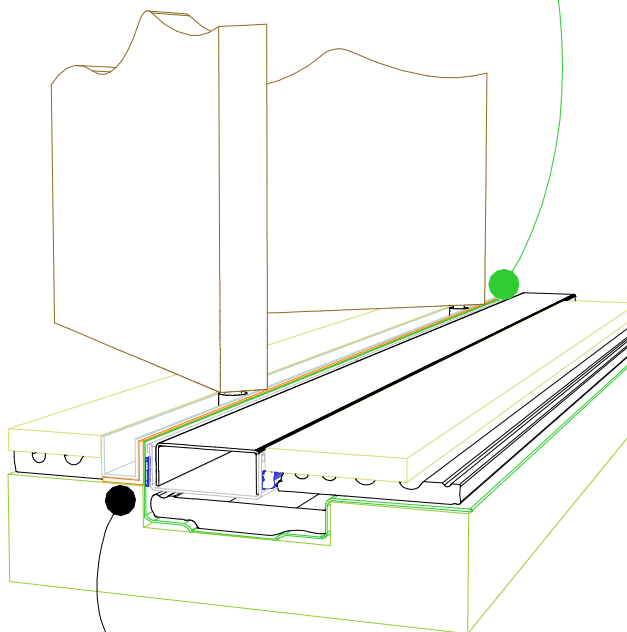


Aluminium angle to support waterproofing and junction between channel and door track.

## Waterproofing

For all types of threshold installation ensure both sides of the channel are sealed before laying tile.

## Bi-fold door



Aluminium angle to support waterproofing and junction between channel and door track.

**NOTE, ALWAYS ensure the waterproofing is completed before laying the Stormtech.**

NOTE, ensure weather stip is used on the appropriate side of the door to ensure drafts and moisture are minimised.

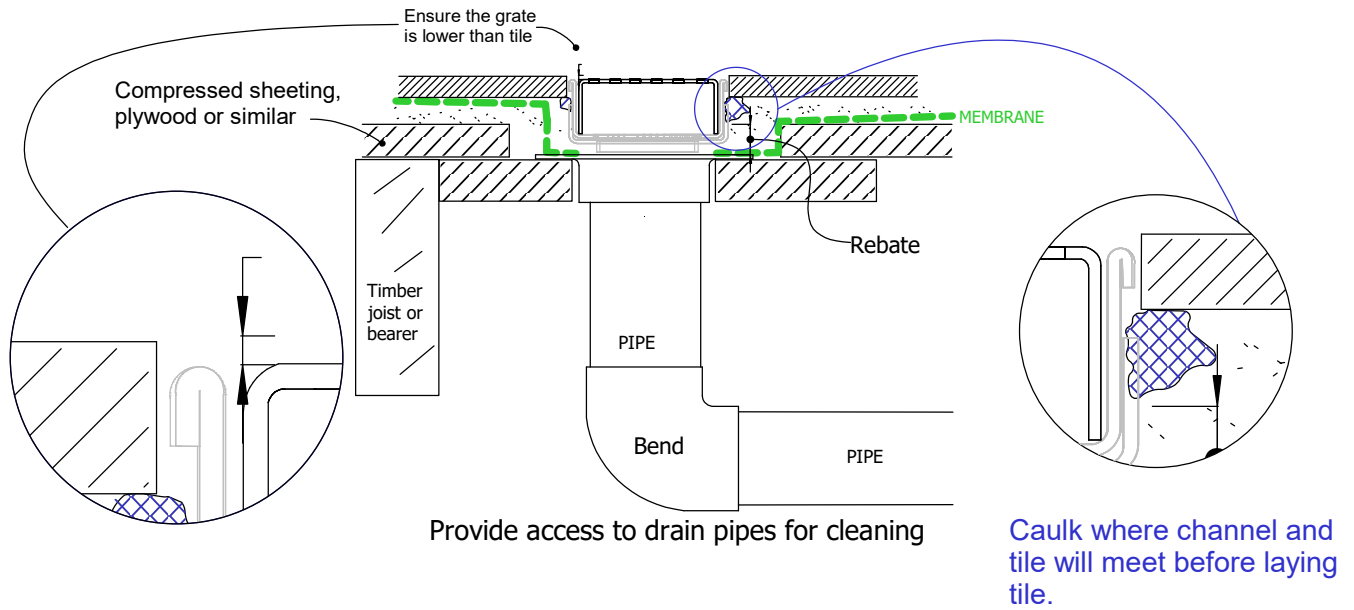


# 65i25MTL TIMBER FLOOR/DECK

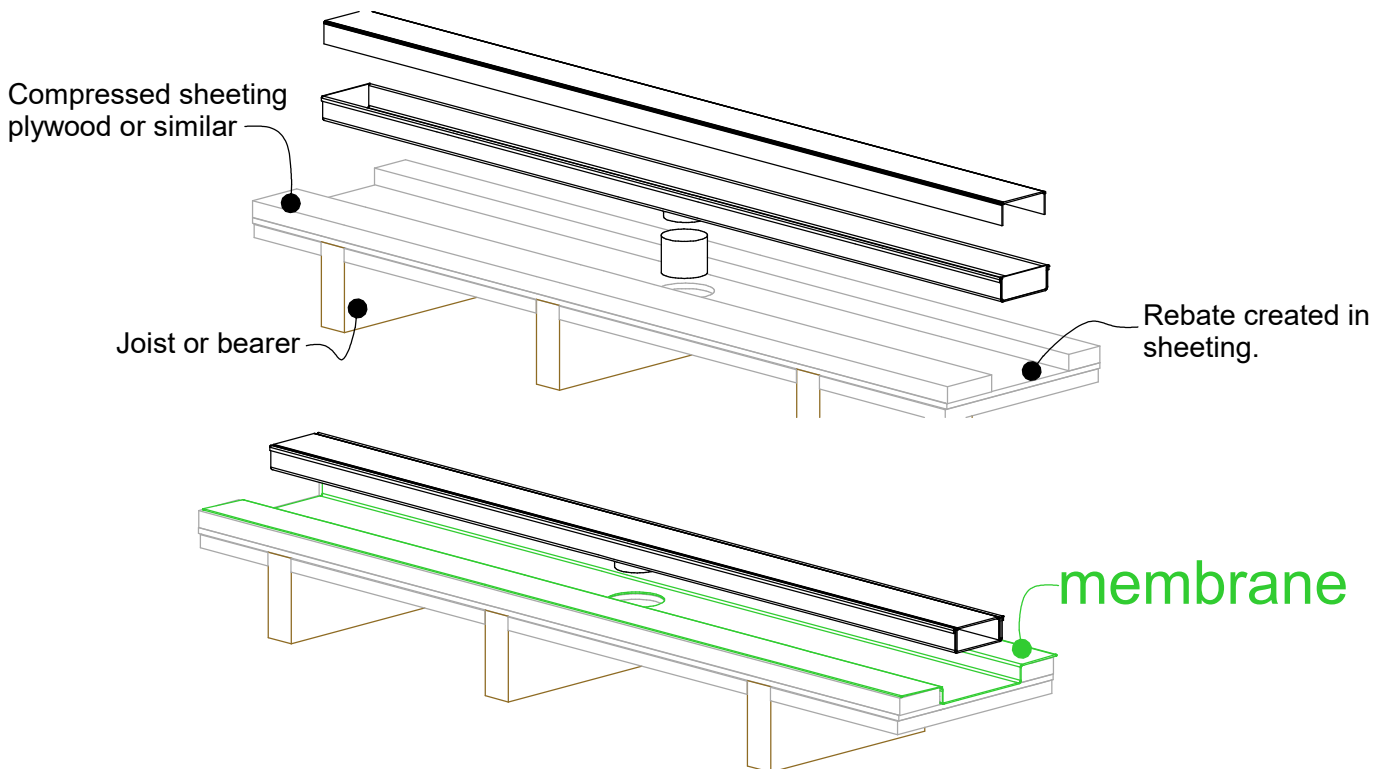
For 65ARi25MTL, 65ARiCO25, 65MNDi25MTL, 65MNDiCO25MTL, 65MNDiCO25, 65PHi25MTL, 65PHi25MTL, 65PSi25CO, 65PSi25MTL, 65PSiCO25, 65TRi25MTL, 65FTi25MTL and 65TRiCO25, 65PPSi25MTL, PASi25MTL.



## When 65i25MTL is running parallel to joist/bearer



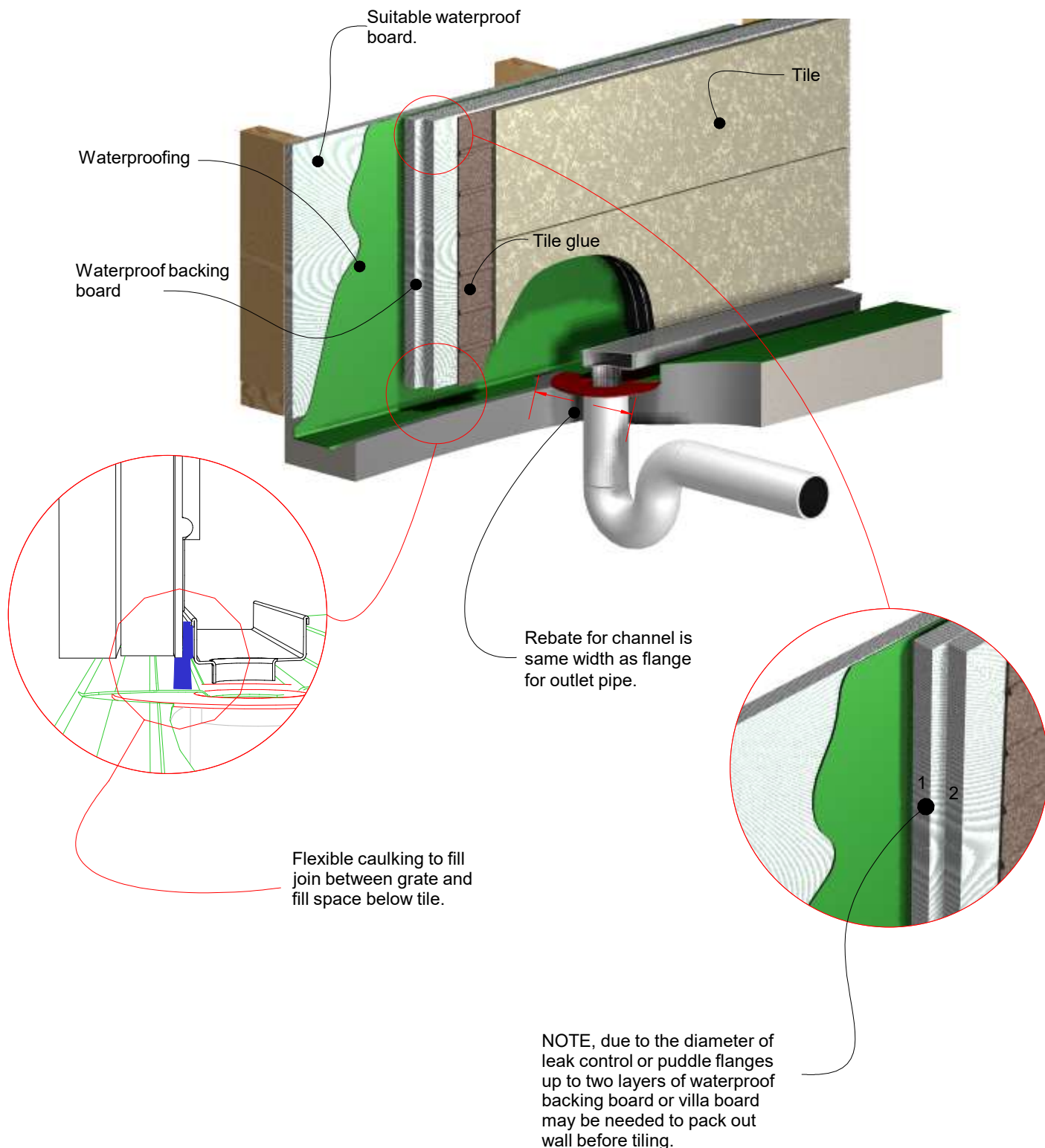
## When 65i25MTL is running perpendicular to joist/bearer



**NOTE: For exterior application allow for expansion of 1mm 3 metres by using quality suitable flexible sealant on channel joins.**

# 65i25MTL Against Wall

For 65ARi25MTL, 65ARiCO25, 65MNDi25MTL, 65MNDiCO25MTL, 65MNDiCO25, 65PHi25MTL, 65PHi25MTL, 65PSi25CO, 65PSi25MTL, 65PSiCO25, 65TRi25MTL, 65FTi25MTL and 65TRiCO25, 65PPSi25MTL, PASi25MTL.





# Order and Quote Form

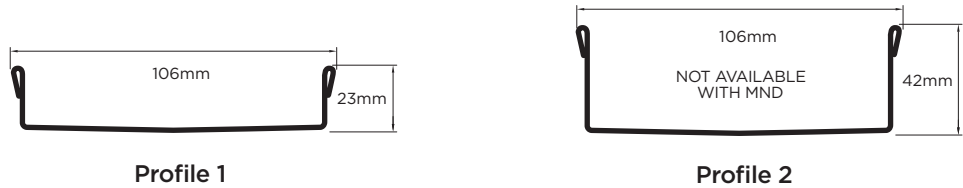
## Made-to-Length Linear Drainage

### Select Grate Style

<input type="checkbox"/> <b>AR Architectural</b> 2mm wire 2.5mm gap	<input type="checkbox"/> <b>TR Standard</b> 3mm wire 5mm gap	<input type="checkbox"/> <b>PS Punched Slot</b>	<input type="checkbox"/> <b>MND Marc Newson</b>	<input type="checkbox"/> <b>PAS Punched Angle Slot</b>	<input type="checkbox"/> <b>PPS Punched Perpendicular Slot</b>

### Tray Profiles

100 Range



65 Range



### Specify Size, Outlet and Profile Required

Drain 1

mm

**Profile Required**  
 1  2  3  4

**Outlet Size**  
 38mm  44mm  51mm  
 63mm  76mm  89mm

mm

Drain 2

mm

**Profile Required**  
 1  2  3  4

**Outlet Size**  
 38mm  44mm  51mm  
 63mm  76mm  89mm

mm

Drain 3

mm

**Profile Required**  
 1  2  3  4

**Outlet Size**  
 38mm  44mm  51mm  
 63mm  76mm  89mm

mm

**Please Note**

See AS3500 standard & local regulator for specific outlet/drain requirements. Outlet Size must be smaller than selected Range. MND grate style not available with Profiles 2 or 4. Stainless Steel Grade is 316 unless specified. Made-to-Length (MTL) minimum charge of 800mm. Grates longer than 1500mm are supplied in multiple sections. Channels are a maximum 3000mm in one piece, channels over 3000mm are supplied in multiple sections with joiner. +/- 2mm tolerance on dimensions.

**Full Name**

**Company Name**

**Telephone**

**Email Address**

**Order Number**

**Stormtech Quote Number**

**Signature**





Order and Quote Form

# Made-to-Length Linear Drainage › Multiple Outlet

Select Grate Style

<input type="checkbox"/> <b>AR Architectural</b> 2mm wire 2.5mm gap	<input type="checkbox"/> <b>TR Standard</b> 3mm wire 5mm gap	<input type="checkbox"/> <b>PS Punched Slot</b>	<input type="checkbox"/> <b>MND Marc Newson</b>	<input type="checkbox"/> <b>PAS Punched Angle Slot</b>	<input type="checkbox"/> <b>PPS Punched Perpendicular Slot</b>

Tray Profiles

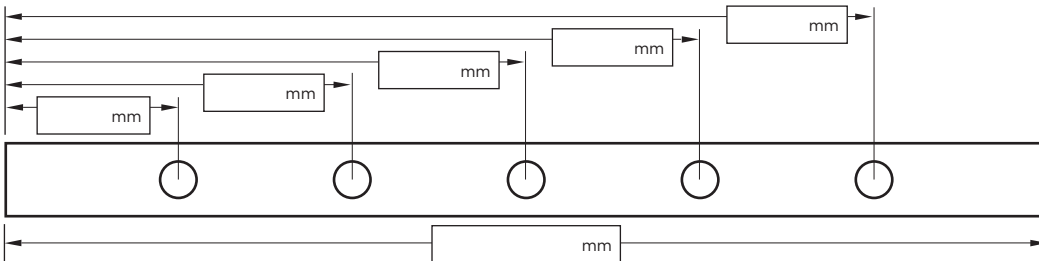
100 Range



65 Range



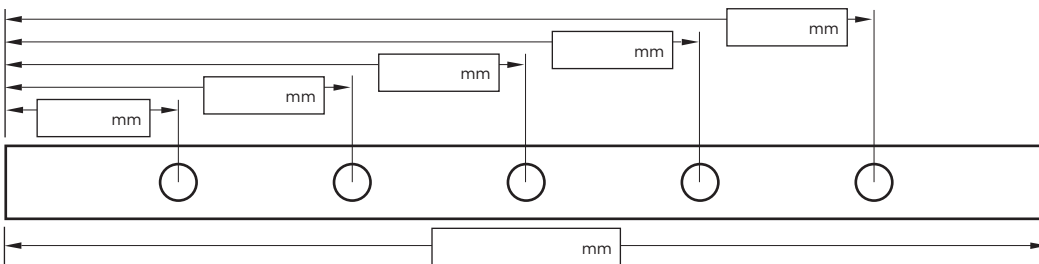
Specify Length, Outlet Positions/Size and Profile Required



**Drain 1**

**Profile Required**  
 1  2  3  4

**Outlet Size**  
 38mm  44mm  51mm  
 63mm  76mm  89mm



**Drain 2**

**Profile Required**  
 1  2  3  4

**Outlet Size**  
 38mm  44mm  51mm  
 63mm  76mm  89mm

**NOTE:** See AS3500 standard & local regulator for specific outlet/drain requirements. Outlet Size must be smaller than selected Range. MND grate style not available with Profiles 2 or 4. Stainless Steel Grade is 316 unless specified. Made-to-Length (MTL) minimum charge of 800mm. Grates over 1500mm are supplied in multiple sections. Channels over 3000mm are supplied in multiple sections with joiner. +/- 2mm tolerance on dimensions.

**Full Name**

**Company Name**

**Telephone**

**Email Address**

**Order Number**  **Stormtech Quote Number**

**Signature**

Visit [slimlinedrain.co.uk](http://slimlinedrain.co.uk)

