

ARCHITECTURAL GRATES + DRAINS



# 100ARi20MTL

## Linear Drainage System

Stormtech is the only linear drainage system available with full Greentag and Watermark certification across our complete product range.

Telephone 01483 346460 | Web [slimlinedrain.co.uk](http://slimlinedrain.co.uk)





ARCHITECTURAL  
GRATES + DRAINS



# 100ARi20MTL

## Linear Drainage System



The 100AR is the original premium architectural grate featuring a 2mm wire/2.5mm gap.

Manufactured from 316 marine grade stainless steel this drainage is made to specified length with specified outlet position

Please be aware that depending on the installation environment, for a pool installation or close to a surf beach, you may need to have your stainless steel grates electropolished.

**Code** 100ARi20MTL

**Range** 100

**Grate Style** AR

**Category** Made-to-Length

**Channel Material** Stainless Steel

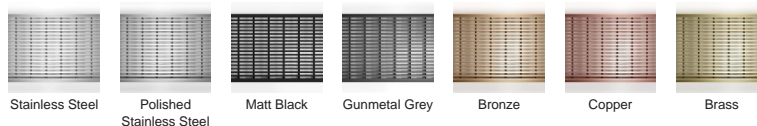
**Steel Grade** 316

Grates longer than 1500mm supplied in sections.  
Tile Inserts longer than 1200mm supplied in sections.  
Channels over 3000mm supplied in sections with joiner.

### SPECIFICATIONS + DIMENSIONS

<b>Channel Width</b>	106mm
<b>Channel Depth</b>	23mm
<b>Length(s)</b>	As Required
<b>Outlet Size</b>	DN40, DN50, DN65, DN80, DN100

### STORMTECH COLOUR FINISHES



Electroplate finishes subject to natural variation with time and local environment.

### PRODUCT APPLICATIONS

Bathroom Drainage	Hospitality Drainage
Aged / Health Care Drainage	Shower Drainage
Balcony Drainage	Multi-Residential Drainage
Commercial Drainage	Special Needs Drainage
Courtyard / Patio Drainage	Threshold Drainage
Pool and Spa Area Drainage	Suspended Slab Drainage

Copyright © Stormtech Pty Ltd. Patent 733361. Drawings not to scale, please use dimensions shown.



Visit [slimlinedrain.co.uk](http://slimlinedrain.co.uk)  
for tools + inspiration.

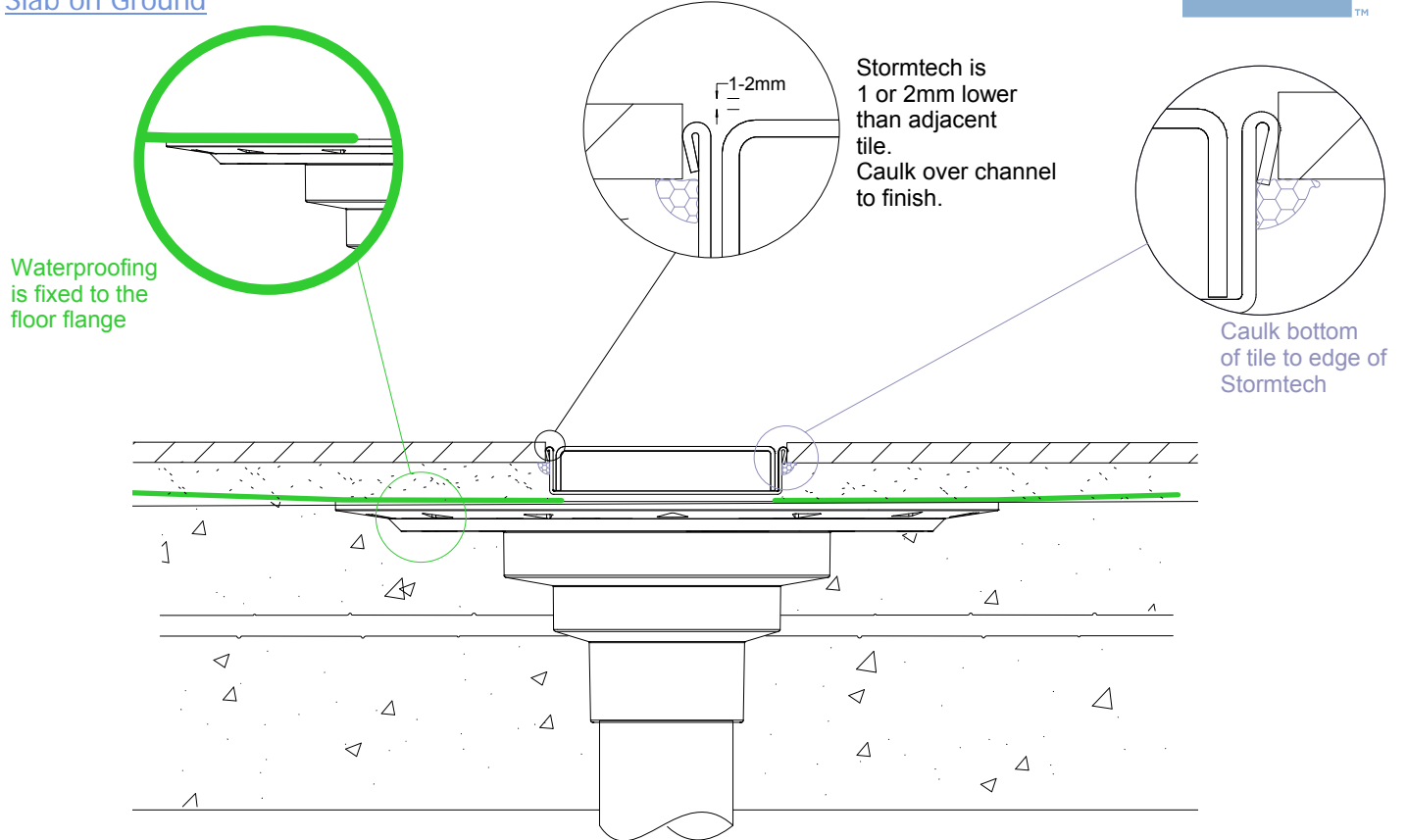
Phone 01483 346460

Email [technical@slimlinedrain.co.uk](mailto:technical@slimlinedrain.co.uk)

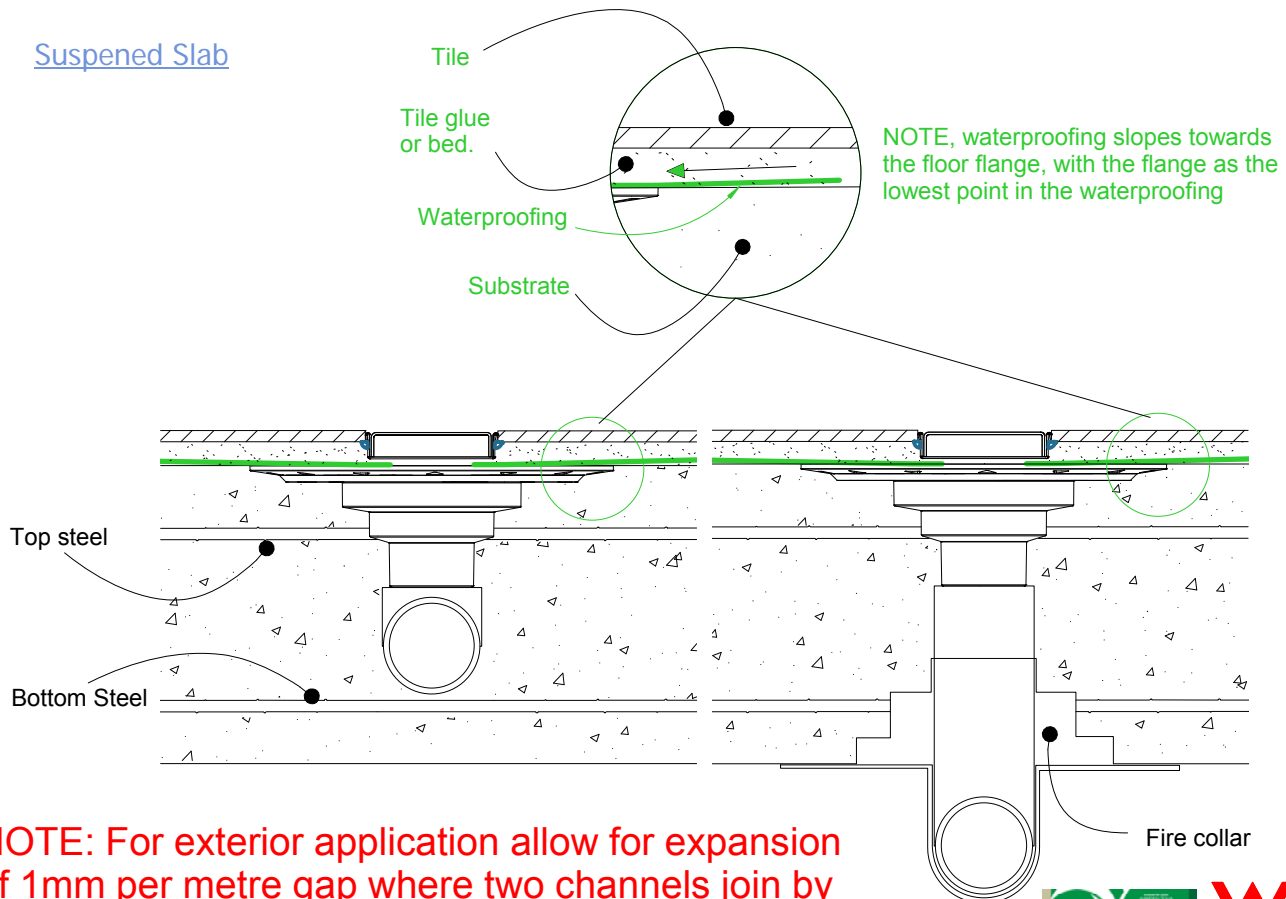
# 100i20 MTL & CO Concrete Floor or Deck

For 100ARi20MTL, 100ARiCO20, 100MNDi20MTL, 100MNDiCO20, 100PSi20MTL, 100PSi20CO, 100TRi20MTL, 100TRiCO20.

Slab on Ground



## Suspended Slab



**NOTE: For exterior application allow for expansion of 1mm per metre gap where two channels join by using quality suitable flexible sealant on channel joiners.**

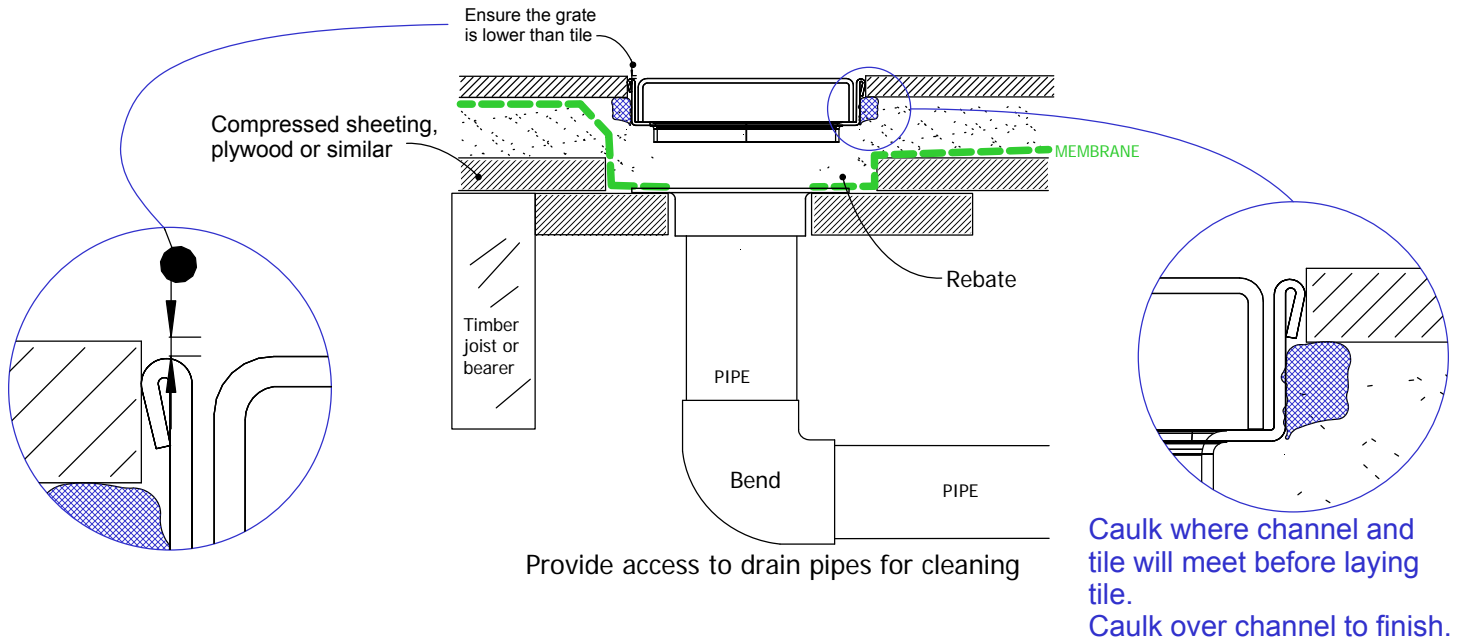


# 100i20 MTL & CO TIMBER FLOOR/DECK

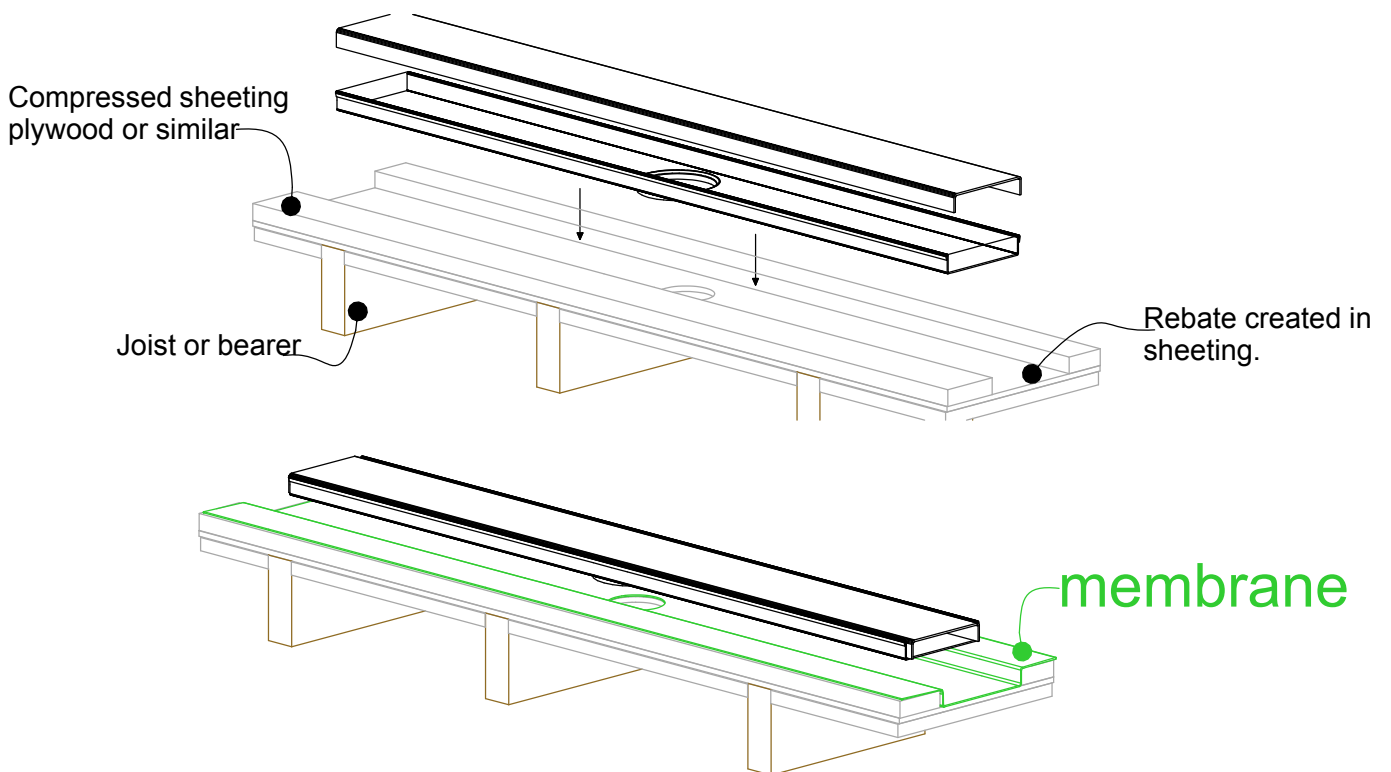
For 100ARi20MTL, 100ARiCO20, 100MNDi20MTL, 100MNDiCO20, 100PSi20MTL, 100PSi20CO, 100TRi20MTL, 100TRiCO20.



When 100i20 MTL or CO is running parallel to joist/bearer



When 100i20 MTL or CO is running perpendicular to joist/bearer



**NOTE: For exterior application allow for expansion of 1mm per metre by using quality suitable flexible sealant on channel joins.**

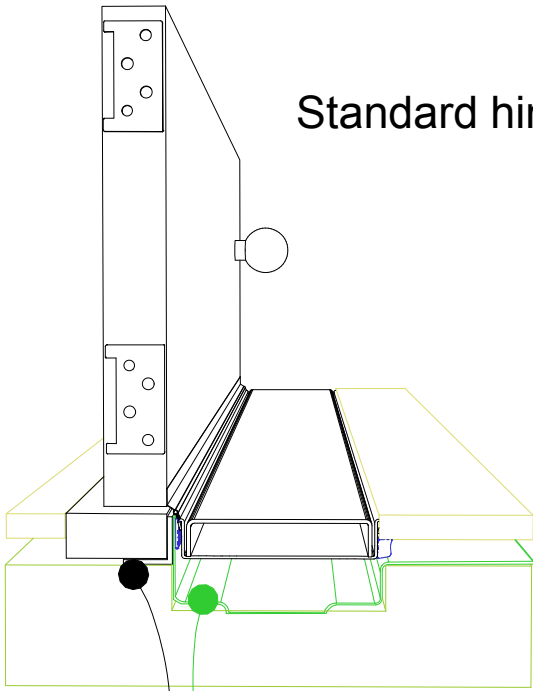


# 100i20 MTL & CO Threshold installation suggestion

For 100ARi20MTL, 100ARiCO20, 100MNDi20MTL, 100MNDiCO20, 100PSi20MTL, 100PSi20CO, 100TRi20MTL, 100TRiCO20.



## Standard hinged door

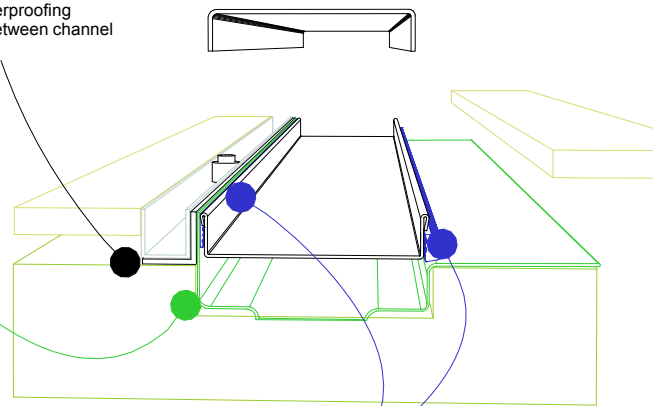


Aluminium angle to support waterproofing and junction between channel and door sil.

## Waterproofing

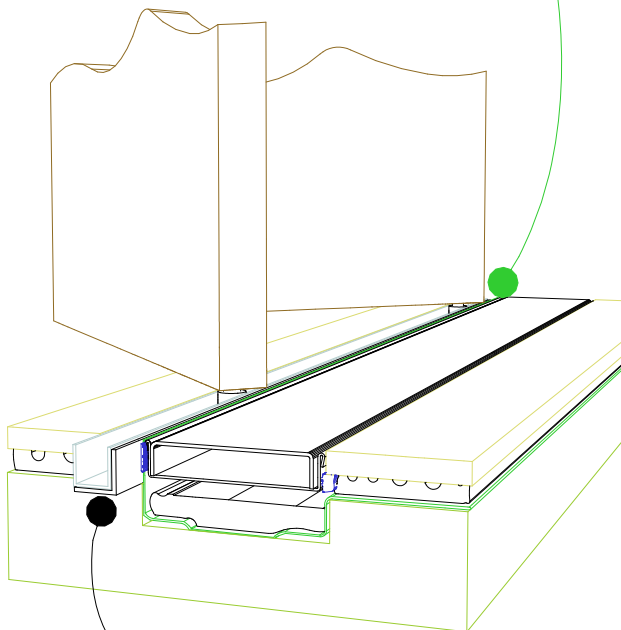
## Top hung slider

Aluminium angle to support waterproofing and junction between channel and door track.



For all types of threshold installation ensure both sides of the channel are sealed before laying tile.

## Bi-fold door



Aluminium angle to support waterproofing and junction between channel and door track.

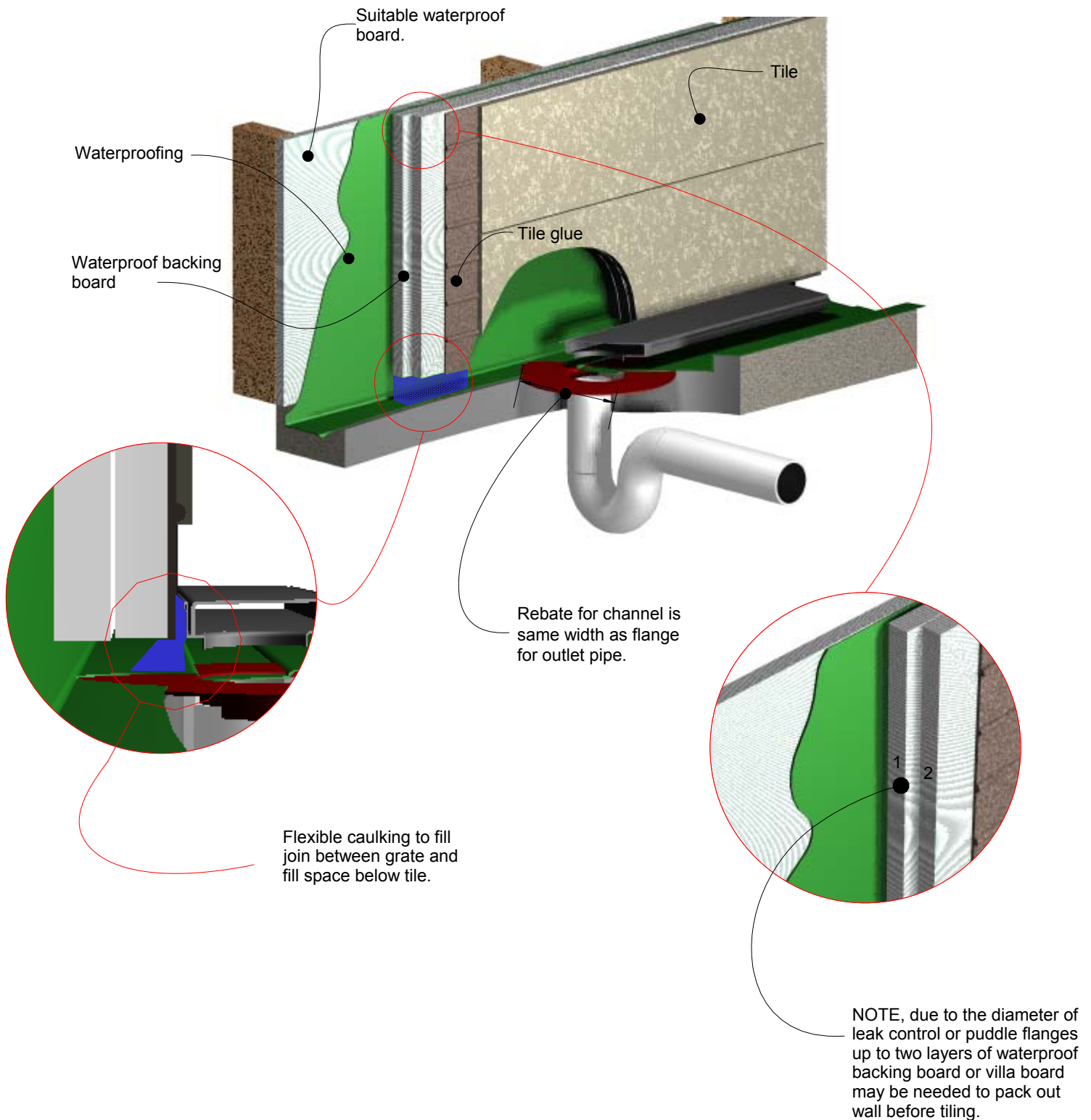
NOTE, ensure weather strip is used on the appropriate side of the door to ensure drafts and moisture are minimised.

**NOTE, ALWAYS ensure the waterproofing is completed before laying the Stormtech.**



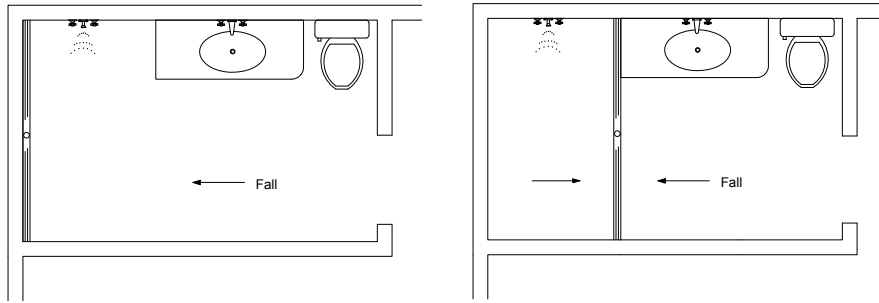
# 100i20 MTL or CO Against Wall

For 100ARi20MTL, 100ARiCO20, 100MNDi20MTL, 100MNDiCO20, 100PSi20MTL, 100PSi20CO, 100TRi20MTL, 100TRiCO20.

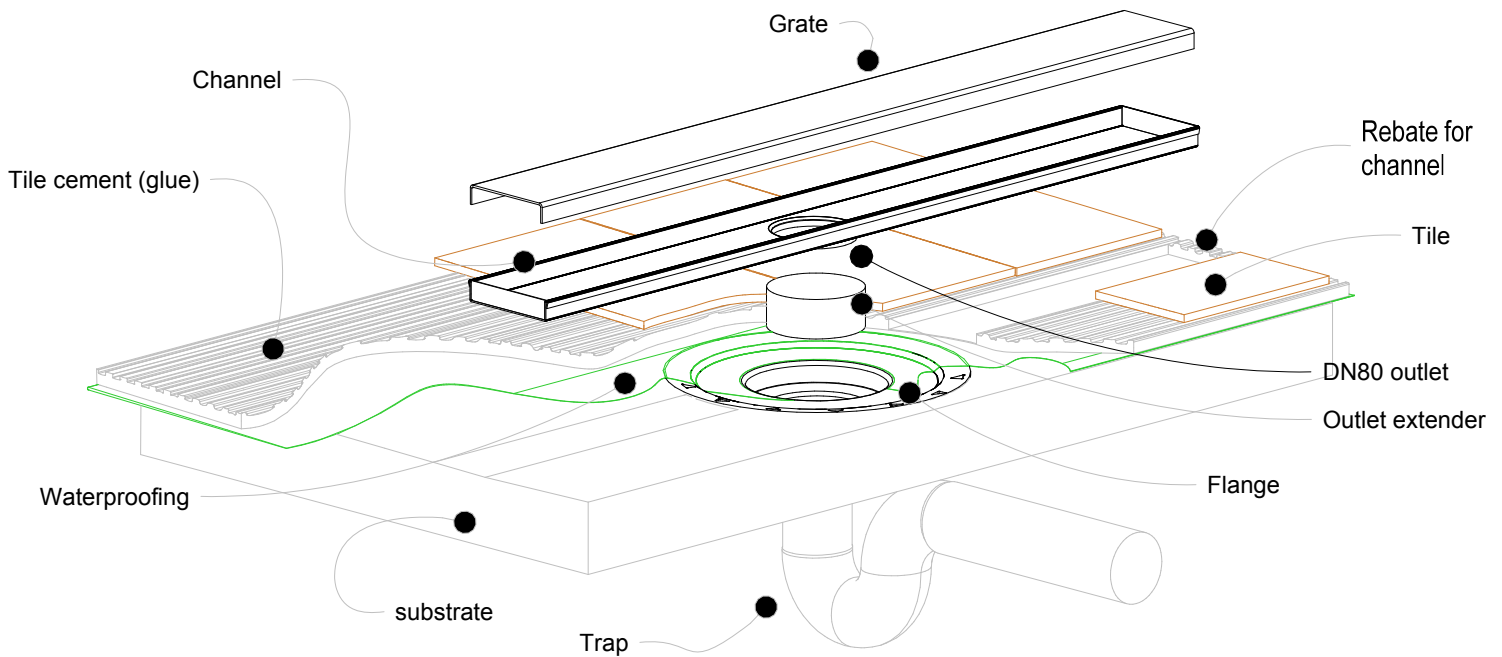


# 100i20 MTL & CO Bathroom

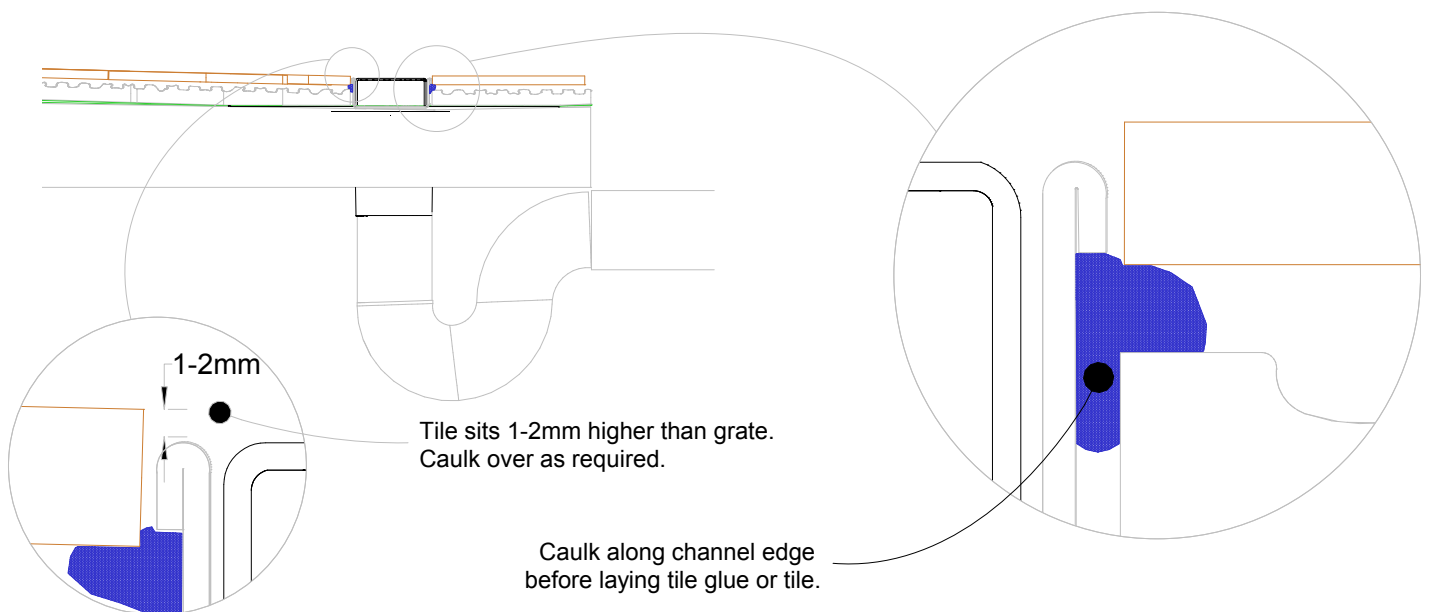
For 100ARi20MTL, 100ARiCO20, 100MNDi20MTL, 100MNDiCO20, 100PSi20MTL, 100PSi20CO, 100TRi20MTL, 100TRiCO20.



NOTE, refer to AS3500 for specific outlet pipe sizes related to your specific installation.



NOTE, this method requires the channel system to be ABOVE and SEPARATE from the WATERPROOFING.

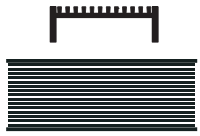


# Order and Quote Form

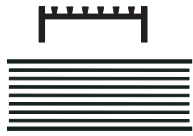
## Made-to-Length Linear Drainage



### Select Grate Style



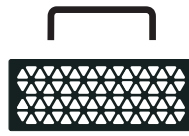
**AR Architectural**  
2mm wire  
2.5mm gap



**TR Standard**  
3mm wire  
5mm gap



**PS Punched Slot**



**MND Marc Newson**



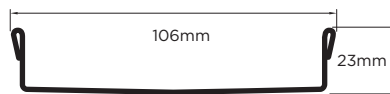
**PAS Punched Angle Slot**



**PPS Punched Perpendicular Slot**

### Tray Profiles

100 Range

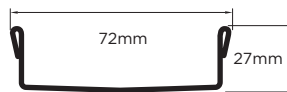


Profile 1



Profile 2

65 Range



Profile 3



Profile 4

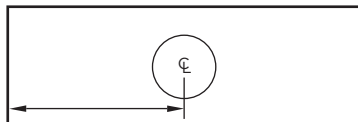
### Specify Size, Outlet and Profile Required

Drain 1



Profile Required

1  2  3  4



Outlet Size

38mm  44mm  51mm  
 63mm  76mm  89mm

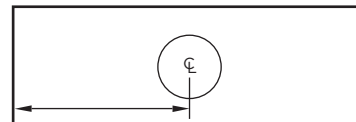


Drain 2



Profile Required

1  2  3  4

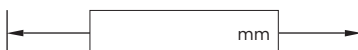


Outlet Size

38mm  44mm  51mm  
 63mm  76mm  89mm

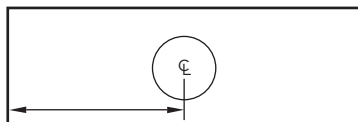


Drain 3



Profile Required

1  2  3  4



Outlet Size

38mm  44mm  51mm  
 63mm  76mm  89mm



#### Please Note

See AS3500 standard & local regulator for specific outlet/drain requirements. Outlet Size must be smaller than selected Range. MND grate style not available with Profiles 2 or 4. Stainless Steel Grade is 316 unless specified. Made-to-Length (MTL) minimum charge of 800mm. Grates longer than 1500mm are supplied in multiple sections. Channels are a maximum 3000mm in one piece, channels over 3000mm are supplied in multiple sections with joiner. +/- 2mm tolerance on dimensions.

Full Name

Company Name

Telephone

Email Address

Order Number

Stormtech Quote Number

Signature

Phone 01483 346 460

Email [technical@slimlinedrain.co.uk](mailto:technical@slimlinedrain.co.uk)

[slimlinedrain.co.uk](http://slimlinedrain.co.uk)

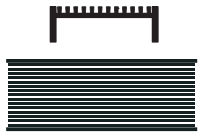


# Order and Quote Form

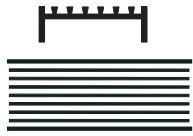
## Made-to-Length Linear Drainage › Multiple Outlet



### Select Grate Style



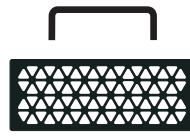
**AR Architectural**  
2mm wire  
2.5mm gap



**TR Standard**  
3mm wire  
5mm gap



**PS Punched Slot**



**MND Marc Newson**



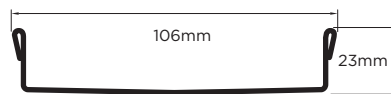
**PAS Punched Angle Slot**



**PPS Punched Perpendicular Slot**

### Tray Profiles

100 Range

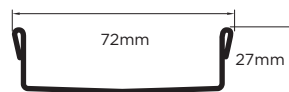


Profile 1

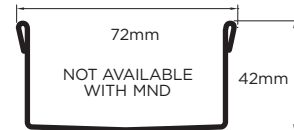


Profile 2

65 Range

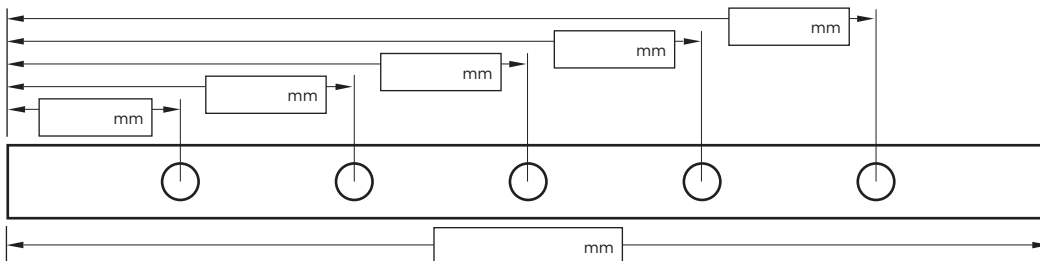


Profile 3



Profile 4

### Specify Length, Outlet Positions/Size and Profile Required



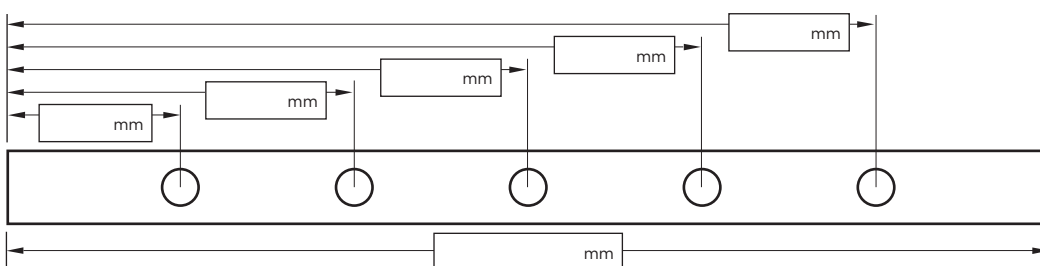
#### Drain 1

##### Profile Required

1  2  3  4

##### Outlet Size

38mm  44mm  51mm  
 63mm  76mm  89mm



#### Drain 2

##### Profile Required

1  2  3  4

##### Outlet Size

38mm  44mm  51mm  
 63mm  76mm  89mm

**NOTE:** See AS3500 standard & local regulator for specific outlet/drain requirements. Outlet Size must be smaller than selected Range. MND grate style not available with Profiles 2 or 4. Stainless Steel Grade is 316 unless specified. Made-to-Length (MTL) minimum charge of 800mm. Grates over 1500mm are supplied in multiple sections. Channels over 3000mm are supplied in multiple sections with joiner. +/- 2mm tolerance on dimensions.

Full Name

Company Name

Telephone

Email Address

Order Number

Stormtech Quote Number

Signature

Phone 01483 346 460

Email [technical@slimlinedrain.co.uk](mailto:technical@slimlinedrain.co.uk)

[slimlinedrain.co.uk](http://slimlinedrain.co.uk)

Visit [slimlinedrain.co.uk](http://slimlinedrain.co.uk)

