

ARCHITECTURAL GRATES + DRAINS



# 100TiXi20MTL

## Tile Insert Drain

Stormtech is the only linear drainage system available with full Greentag and Watermark certification across our complete product range.

Telephone 01483 346460 | Web [slimlinedrain.co.uk](http://slimlinedrain.co.uk)



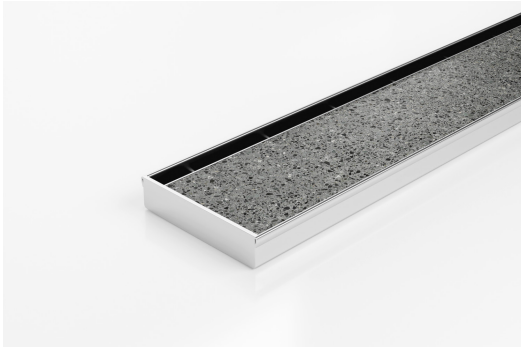


ARCHITECTURAL  
GRATES + DRAINS



# 100TiXi20MTL

## Tile Insert Drain



All Stainless Steel drainage unit made to length with specified outlet position.  
Tile Insert Single Slot / 1.5mm thick.

### SPECIFICATIONS + DIMENSIONS

Channel Width	106mm
Channel Depth	23mm
Length(s)	As Required
Outlet Size	DN80, DN100

Code 100TiXi20MTL

Range 100

Grate Style Ti

Category Made-to-Length

Channel Material Stainless Steel

Steel Grade 316

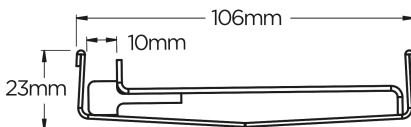
### STORMTECH COLOUR FINISHES



Electroplate finishes subject to natural variation with time and local environment. Factors such as pools/surf beaches may require electropolishing. Contact us for suitability.

### PRODUCT APPLICATIONS

- Bathroom Drainage
- Balcony Drainage
- Commercial Drainage
- Courtyard / Patio Drainage
- Hospitality Drainage
- Shower Drainage
- Special Needs Drainage
- Wet Area Drainage



Grates longer than 1500mm supplied in sections.  
Tile Inserts longer than 1200mm supplied in sections.  
Channels over 3000mm supplied in sections with joiner.  
+/-2mm tolerance on dimensions.

Copyright © Stormtech Pty Ltd. Patent 733361. Drawings not to scale, please use dimensions shown.



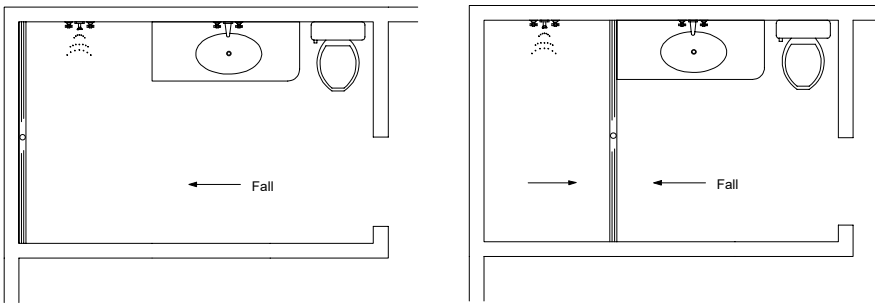
Visit [slimlinedrain.co.uk](http://slimlinedrain.co.uk)  
for tools + inspiration.

Phone 01483 346460

Email [technical@slimlinedrain.co.uk](mailto:technical@slimlinedrain.co.uk)

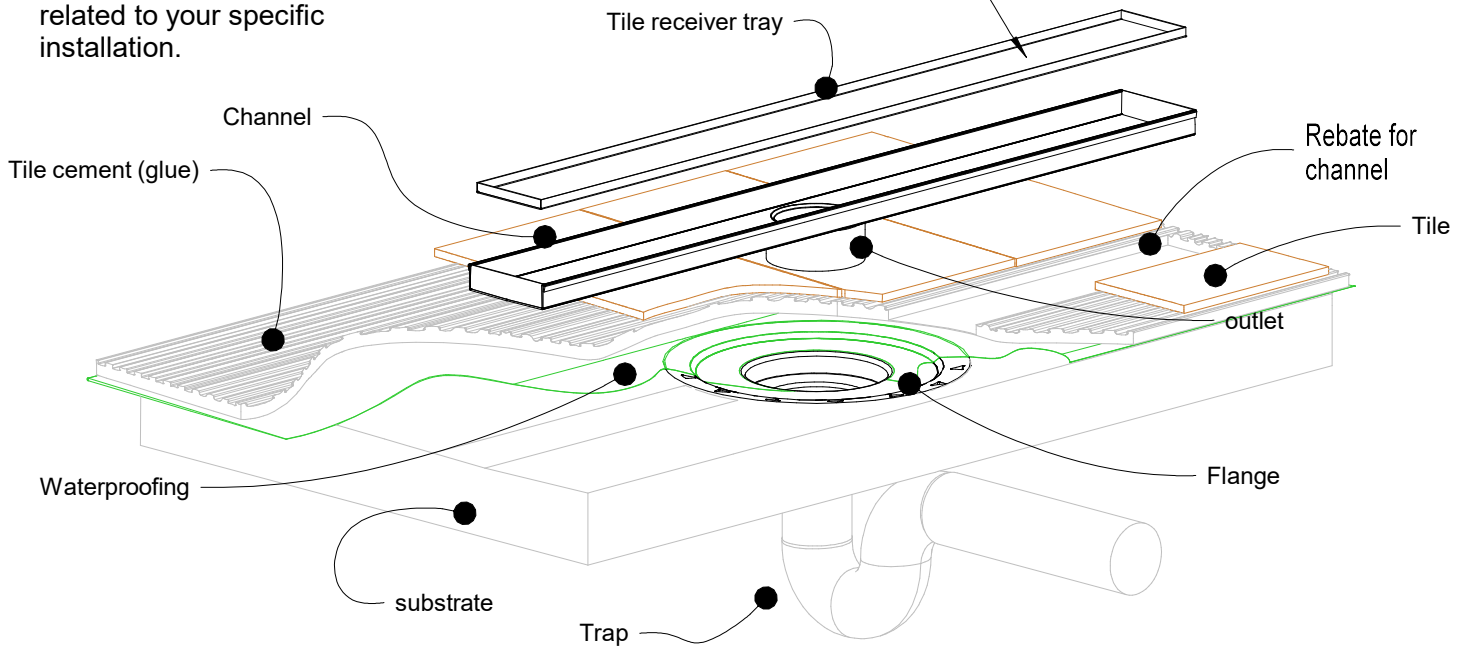
# 100Tii Bathroom

For 100Tii20CO, 100Tii20MTL, 100Tii30MTL, 100TiiCo30, 100Tii40MTL, 100TiXi20MTL

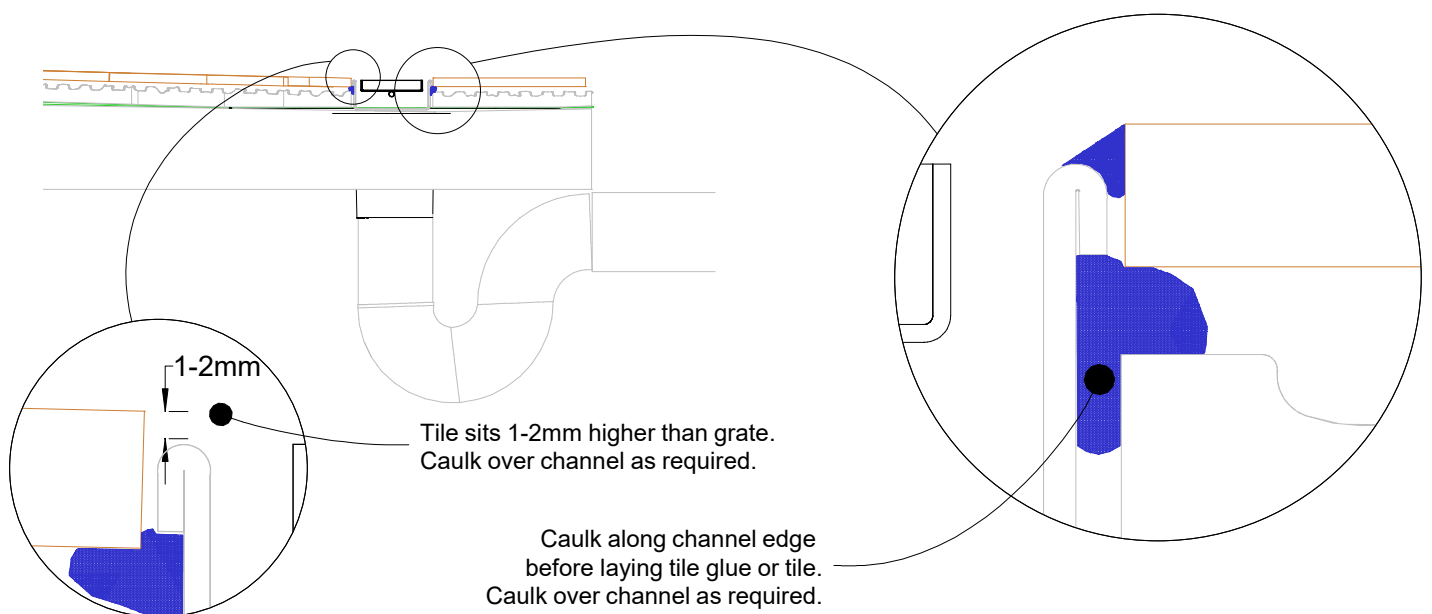


Cut tile to width and fix into tile receiver tray. To ensure no metal contamination causes spalling below the tile. It is recommended to use a paint-on waterproof membrane on the interior of the tile receiver tray before tiling to ensure no contaminants are trapped below tile tile against the stainless.

NOTE, refer to AS3500 for specific outlet pipe sizes related to your specific installation.



NOTE, this method requires the channel system to be ABOVE and SEPARATE from the WATERPROOFING.

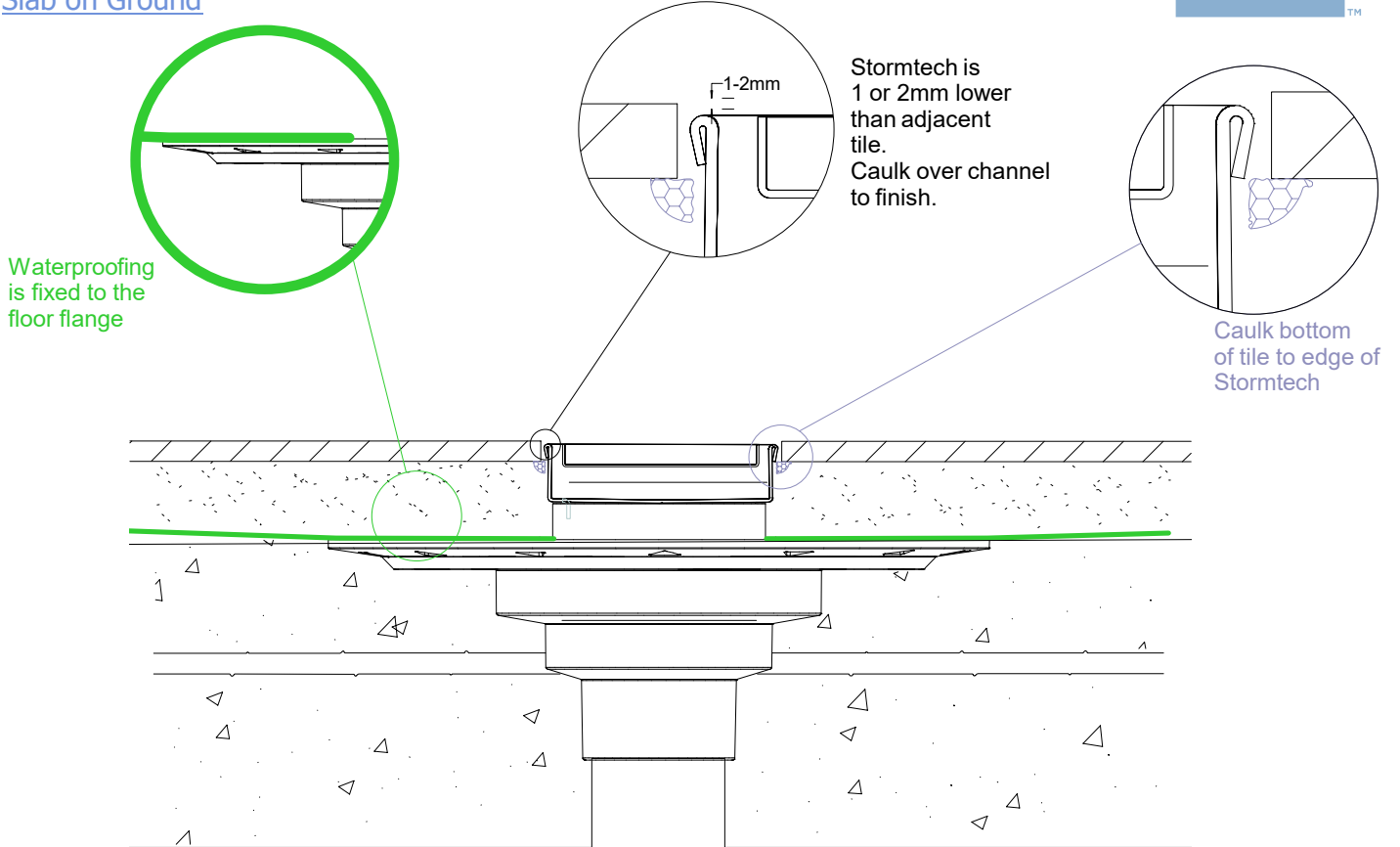


# 100Tii Concrete Floor or Deck

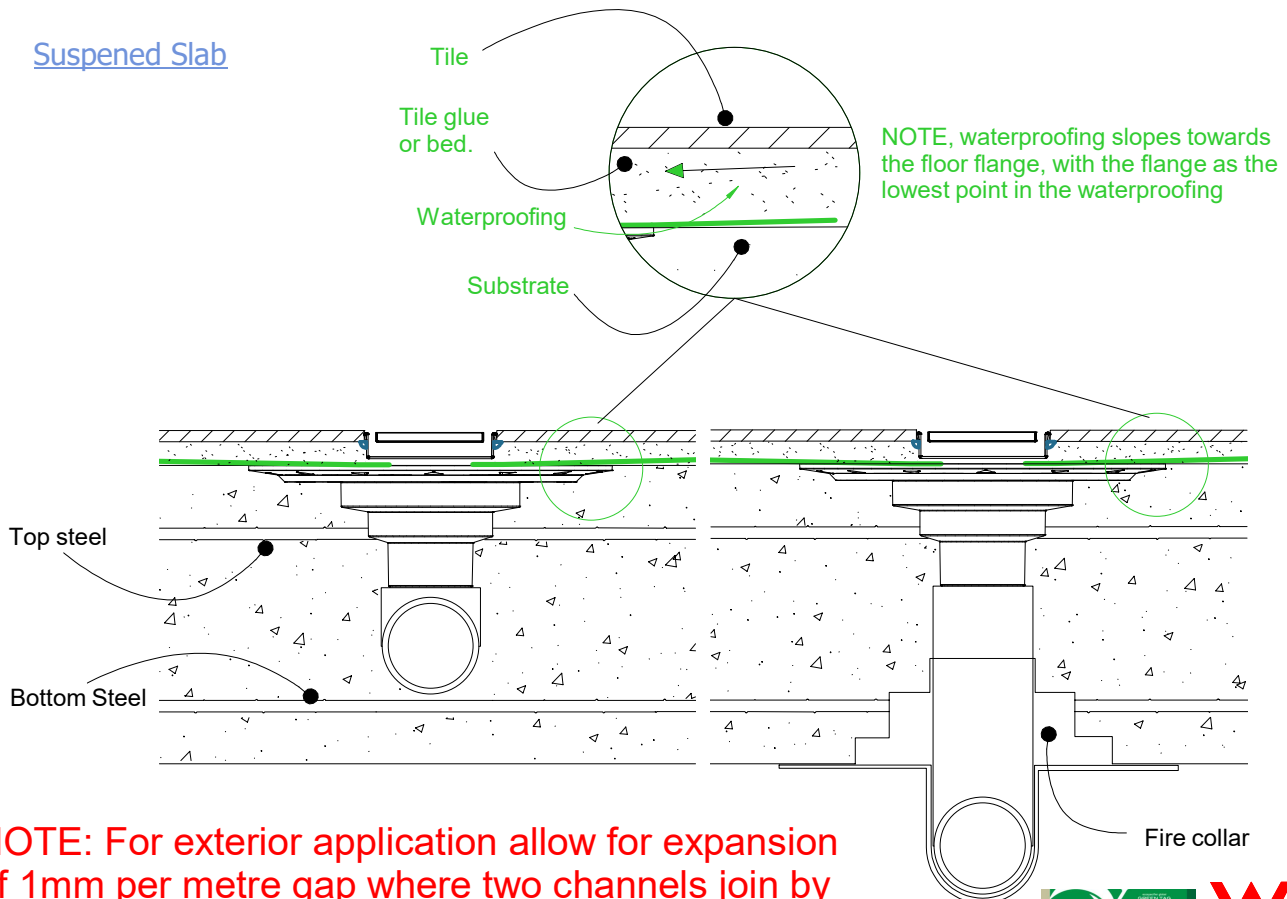
For 100Tii20CO, 100Tii20MTL, 100Tii30MTL, 100TiiCo30, 100TiXi20MTL, 100Tii40MTL.



## Slab on Ground



## Suspended Slab



**NOTE: For exterior application allow for expansion of 1mm per metre gap where two channels join by using quality suitable flexible sealant on channel joiners.**

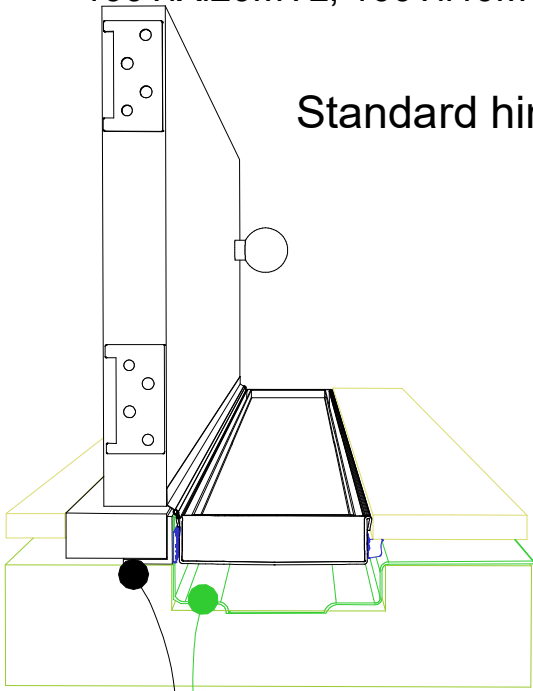


# 100Tii Threshold installation suggestion

For 100Tii20CO, 100Tii20MTL, 100Tii30MTL, 100TiiCo30, 100TiXi20MTL, 100Tii40MTL.



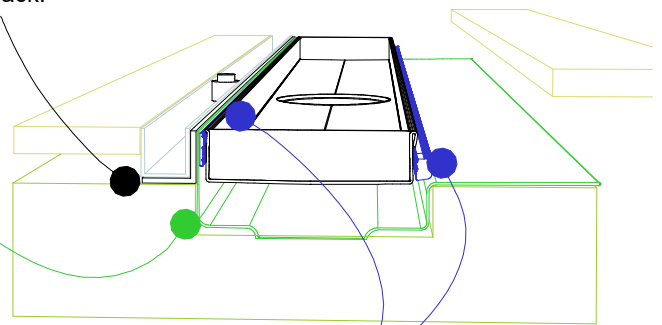
## Standard hinged door



Aluminium angle to support waterproofing and junction between channel and door sil.

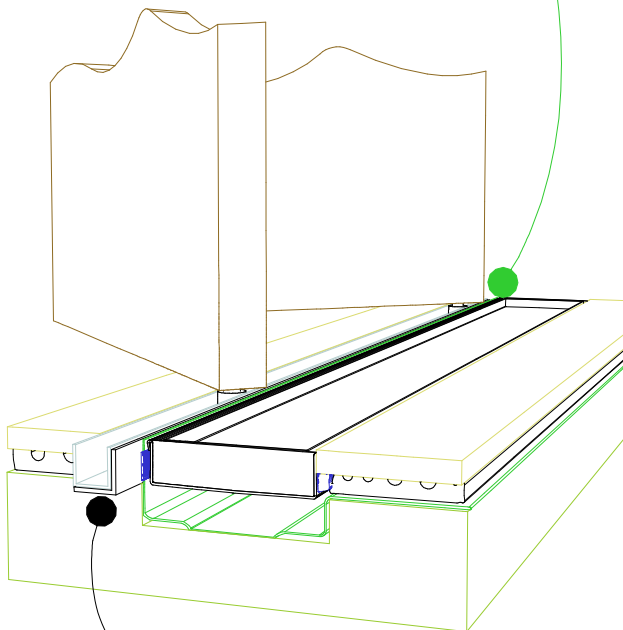
## Top hung slider

Aluminium angle to support waterproofing and junction between channel and door track.



## Waterproofing

## Bi-fold door



Aluminium angle to support waterproofing and junction between channel and door track.

For all types of threshold installation ensure both sides of the channel are sealed before laying tile.

NOTE, ensure weather strip is used on the appropriate side of the door to ensure drafts and moisture are minimised.

**NOTE, ALWAYS ensure the waterproofing is completed before laying the Stormtech.**

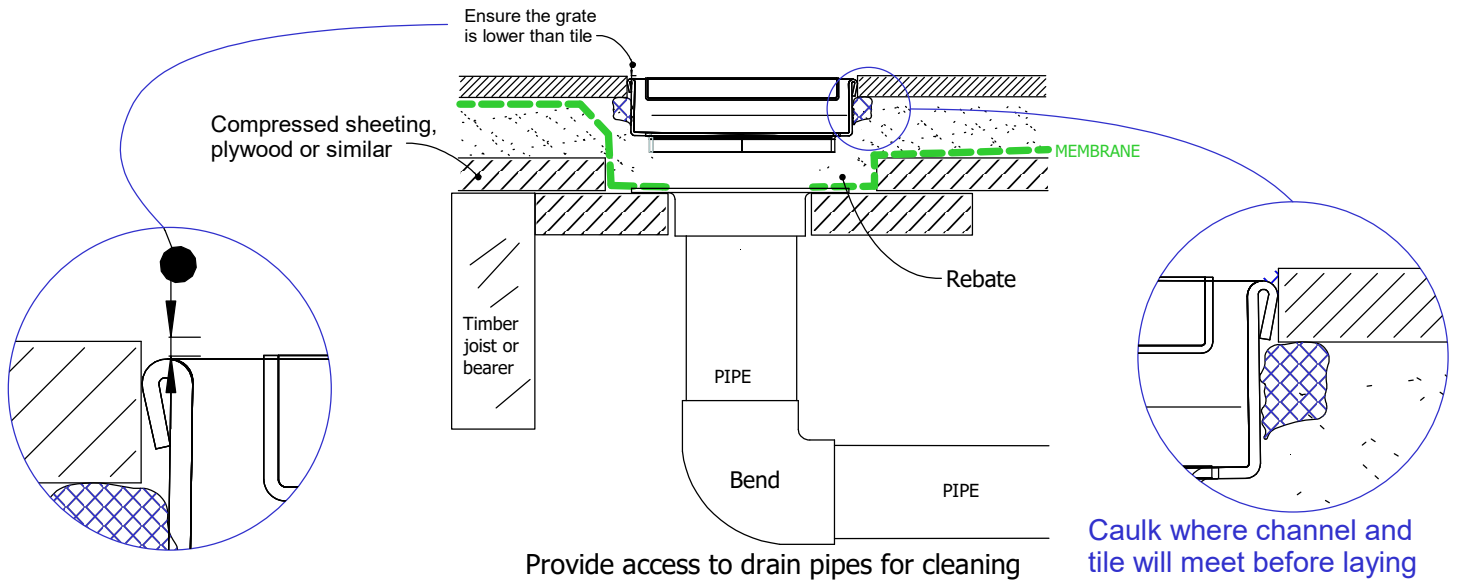


# 100Tii TIMBER FLOOR/DECK

For 100Tii20CO, 100Tii20MTL, 100Tii30MTL, 100TiiCo30, 100TiXi20MTL, 100Tii40MTL.



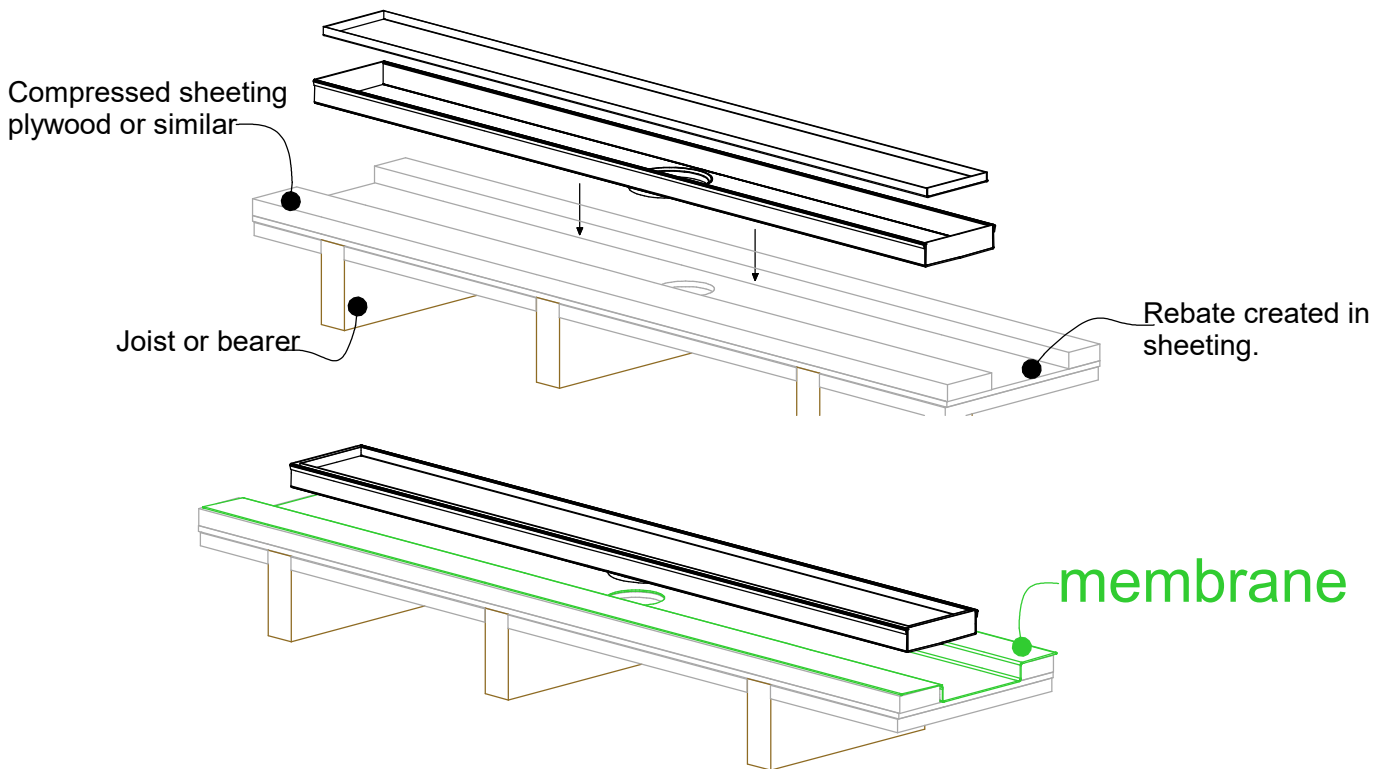
## When 100Tii is running parallel to joist/bearer



Provide access to drain pipes for cleaning

Caulk where channel and tile will meet before laying tile.  
Caulk over channel to finish.

## When 100Tii is running perpendicular to joist/bearer

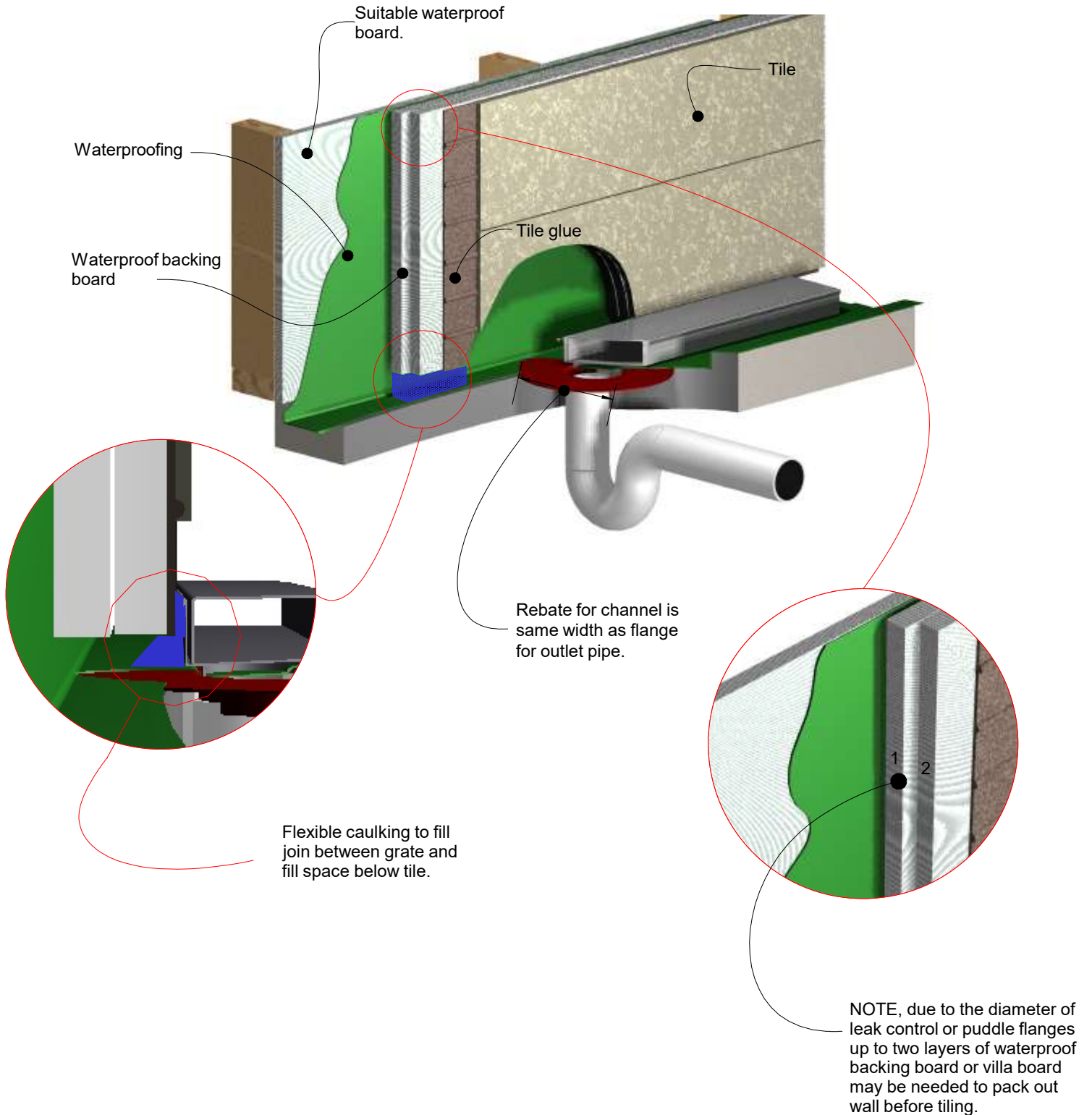


**NOTE: For exterior application allow for expansion of 1mm per 3 metres by using quality suitable flexible sealant on channel joins.**



# 100Tii Against Wall

For 100Tii20CO, 100Tii20MTL, 100Tii30MTL, 100TiiCo30, 100TiXi20MTL, 100Tii40MTL.

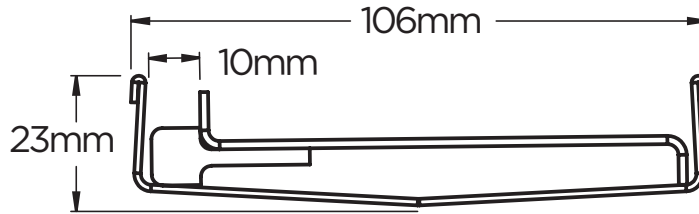


# Made-to-Length

## 100TiXi20MTL › Single Slot Tile Insert



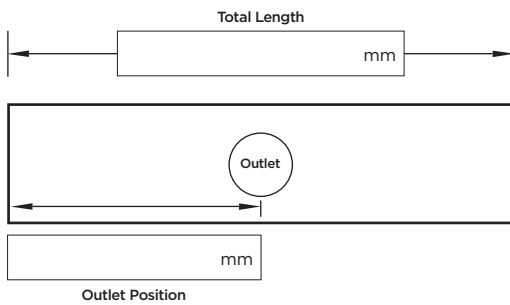
### Tray and Tile Insert Profile



**100TiXi20MTL**  
Suits tiles up to 10mm thick

### Specify Drain Length / Outlet Position & Outlet Size

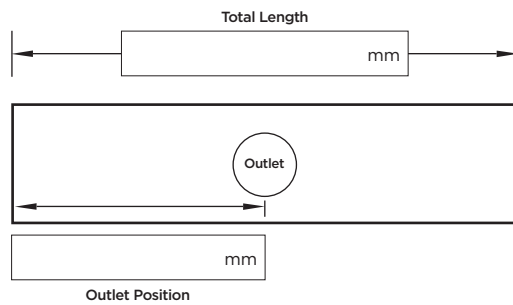
Drain 1



**Required Outlet Size**

76mm       89mm

Drain 2



**Required Outlet Size**

76mm       89mm

### Please Note

See AS3500 standard & local regulator for specific outlet and drainage requirements.  
Stainless Steel Grade is 316 unless specified.  
Made-to-Length (MTL) minimum charge of 800mm.

Tile Inserts longer than 1200mm are supplied in multiple sections.  
Channels are a maximum 3000mm in one piece, channels over 3000mm are supplied in multiple sections with joiner.  
+/- 2mm tolerance on dimensions.

**Full Name**

**Company Name**

**Telephone**

**Email Address**

**Order Number**

**Stormtech Quote Number**

**Signature**



Visit [slimlinedrain.co.uk](http://slimlinedrain.co.uk)

