

ARCHITECTURAL GRATES + DRAINS



# 38PSi40MTL

## Linear Drainage System

Stormtech is the only linear drainage system available with full Greentag and Watermark certification across our complete product range.

Telephone 01483 346460 | Web [slimlinedrain.co.uk](http://slimlinedrain.co.uk)



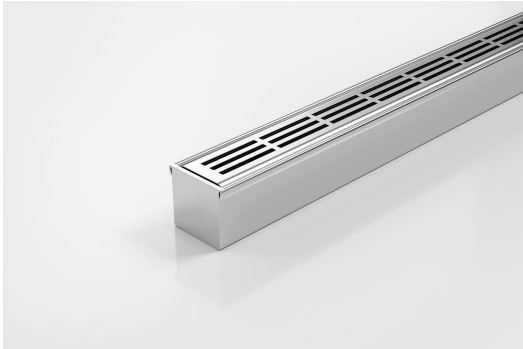


ARCHITECTURAL  
GRATES + DRAINS



# 38PSi40MTL

## Linear Drainage System



The 38PSi40 is a Punched Slot grate design.

Manufactured from 316 marine grade the 38PS is 38mm wide and 40mm deep. All stainless steel drainage unit made to specified length with specified outlet position.

Refer to AS3500 for outlet pipe sizes specific to your installation.

**Code** 38PSi40MTL

**Range** 38

**Grate Style** PS

**Category** Made-to-Length

**Channel Material** Stainless Steel

**Steel Grade** 316

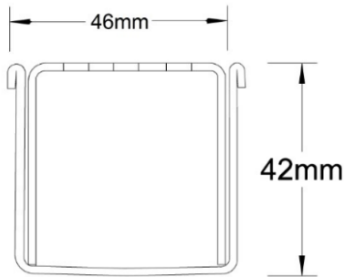
### SPECIFICATIONS + DIMENSIONS

<b>Channel Width</b>	46mm
<b>Channel Depth</b>	42mm
<b>Length(s)</b>	As Required
<b>Outlet Size</b>	DN40

### STORMTECH COLOUR FINISHES



Electroplate finishes subject to natural variation with time and local environment.



### PRODUCT APPLICATIONS

- |                             |                            |
|-----------------------------|----------------------------|
| Bathroom Drainage           | Hospitality Drainage       |
| Aged / Health Care Drainage | Paved Area Drainage        |
| Balcony Drainage            | Shower Drainage            |
| Commercial Drainage         | Multi-Residential Drainage |
| Courtyard / Patio Drainage  | Special Needs Drainage     |
| Pool and Spa Area Drainage  | Threshold Drainage         |

Grates longer than 1500mm supplied in sections.  
Tile Inserts longer than 1200mm supplied in sections.  
Channels over 3000mm supplied in sections with joiner.

Copyright © Stormtech Pty Ltd. Patent 733361. Drawings not to scale, please use dimensions shown.



Visit [slimlinedrain.co.uk](http://slimlinedrain.co.uk)  
for tools + inspiration.

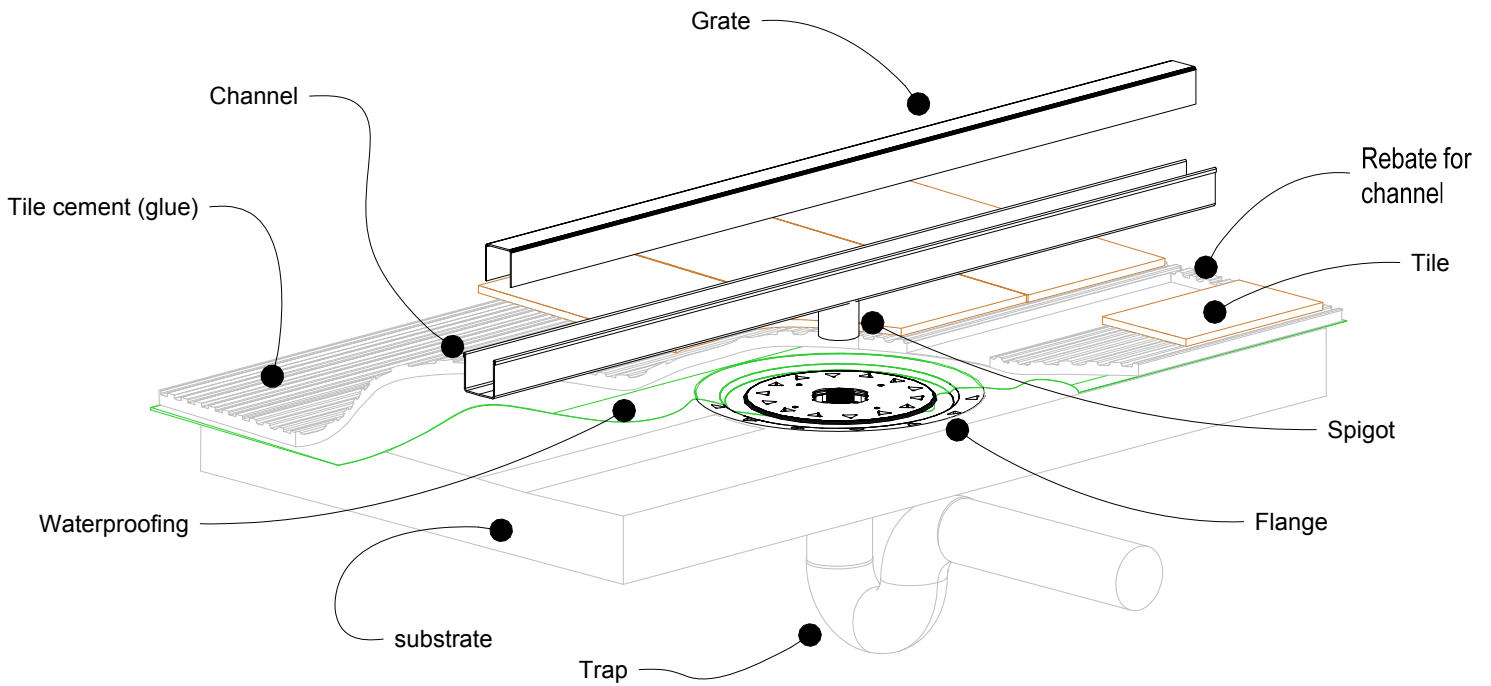
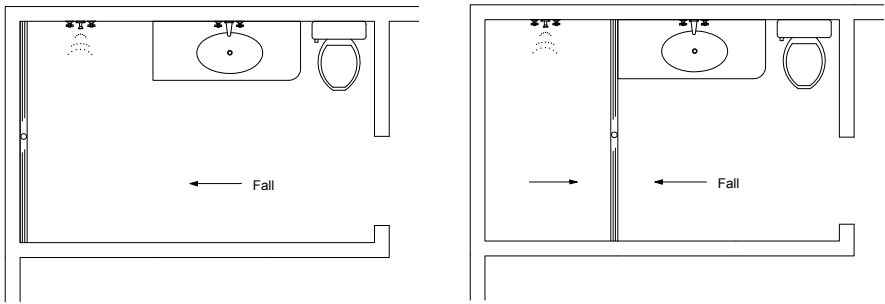
Phone 01483 346460

Email [technical@slimlinedrain.co.uk](mailto:technical@slimlinedrain.co.uk)

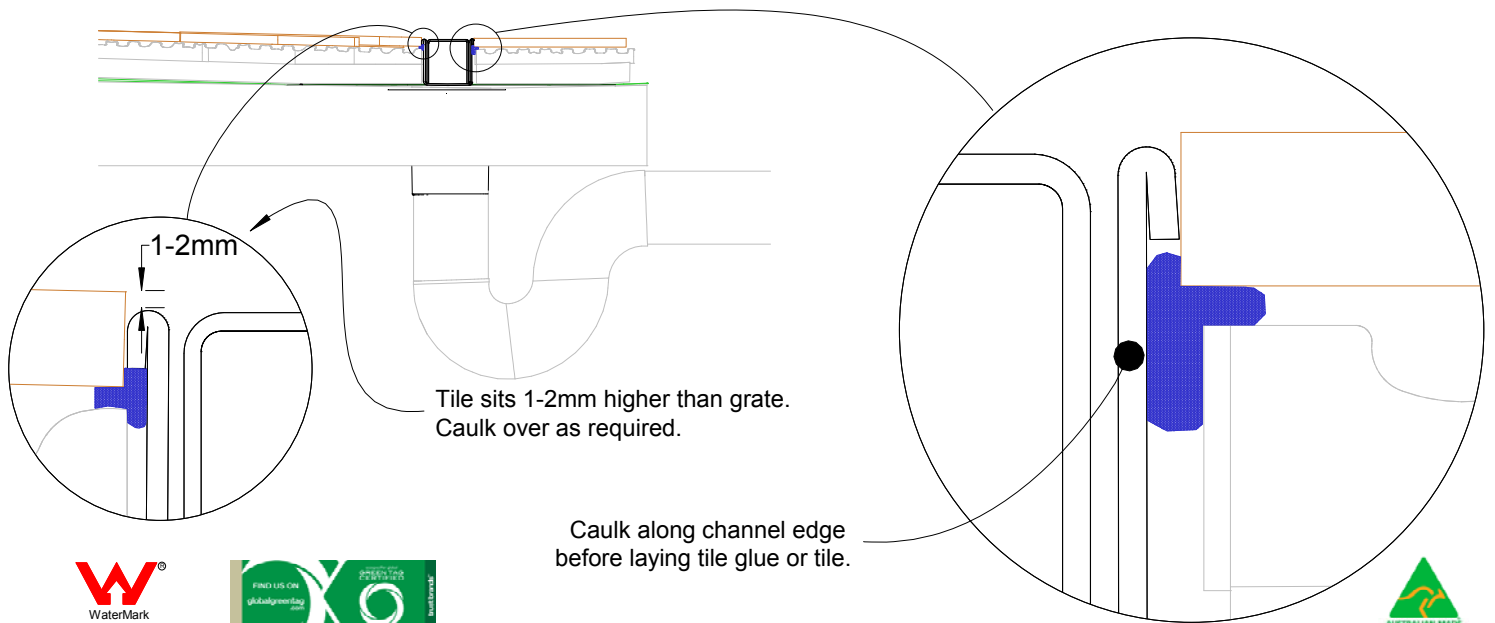
# 38MTL Bathroom DN 40 outlet.

For 38ARi40MTL, 38PHi40MTL, and 38PSi40MTL

NOTE, refer to AS3500 for specific outlet pipe sizes related to your specific installation.



NOTE, this method requires the channel system to be above and separate from the waterproofing



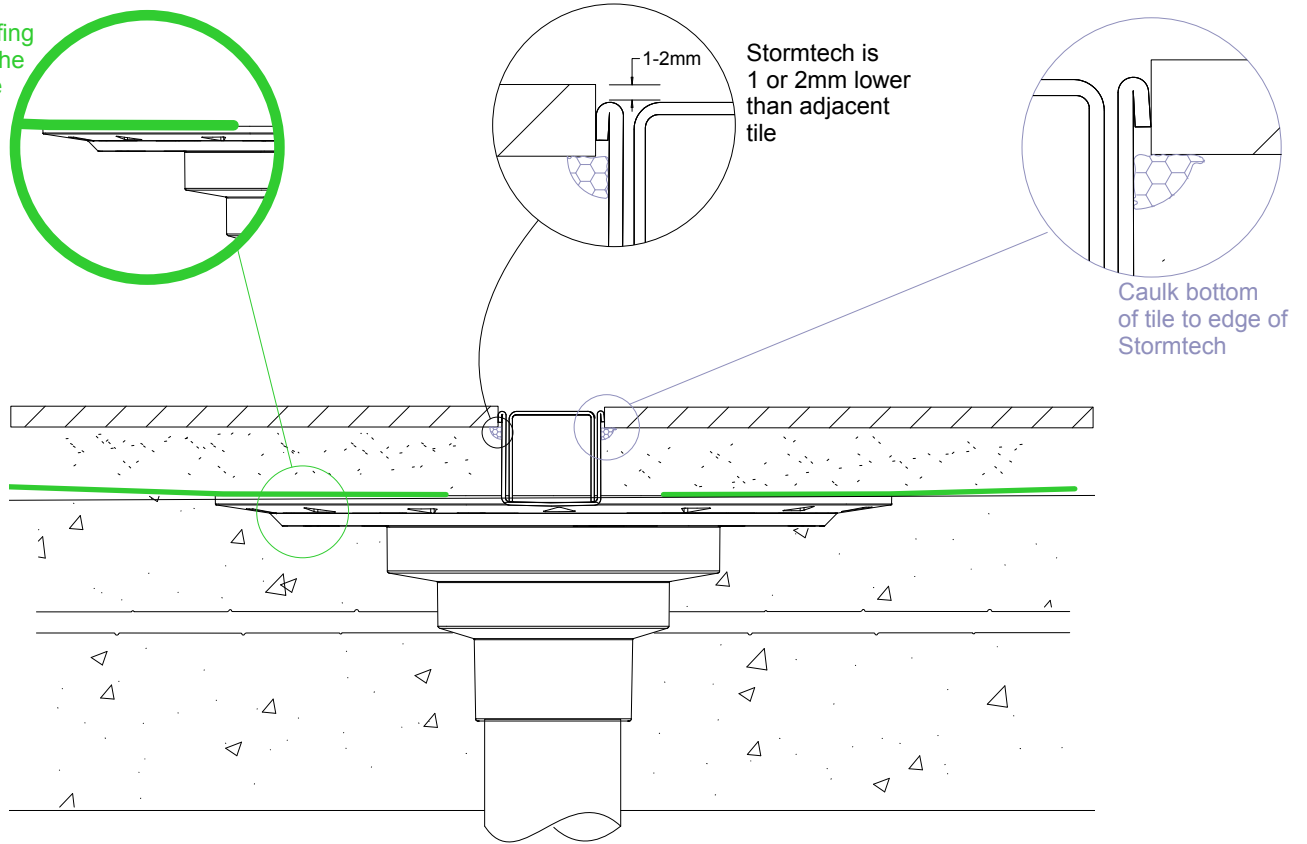
# 38MTL Concrete Floor or Deck

For 38ARi409MTL, 38PSi40MTL and 38PHi40MTL



## Slab on Ground

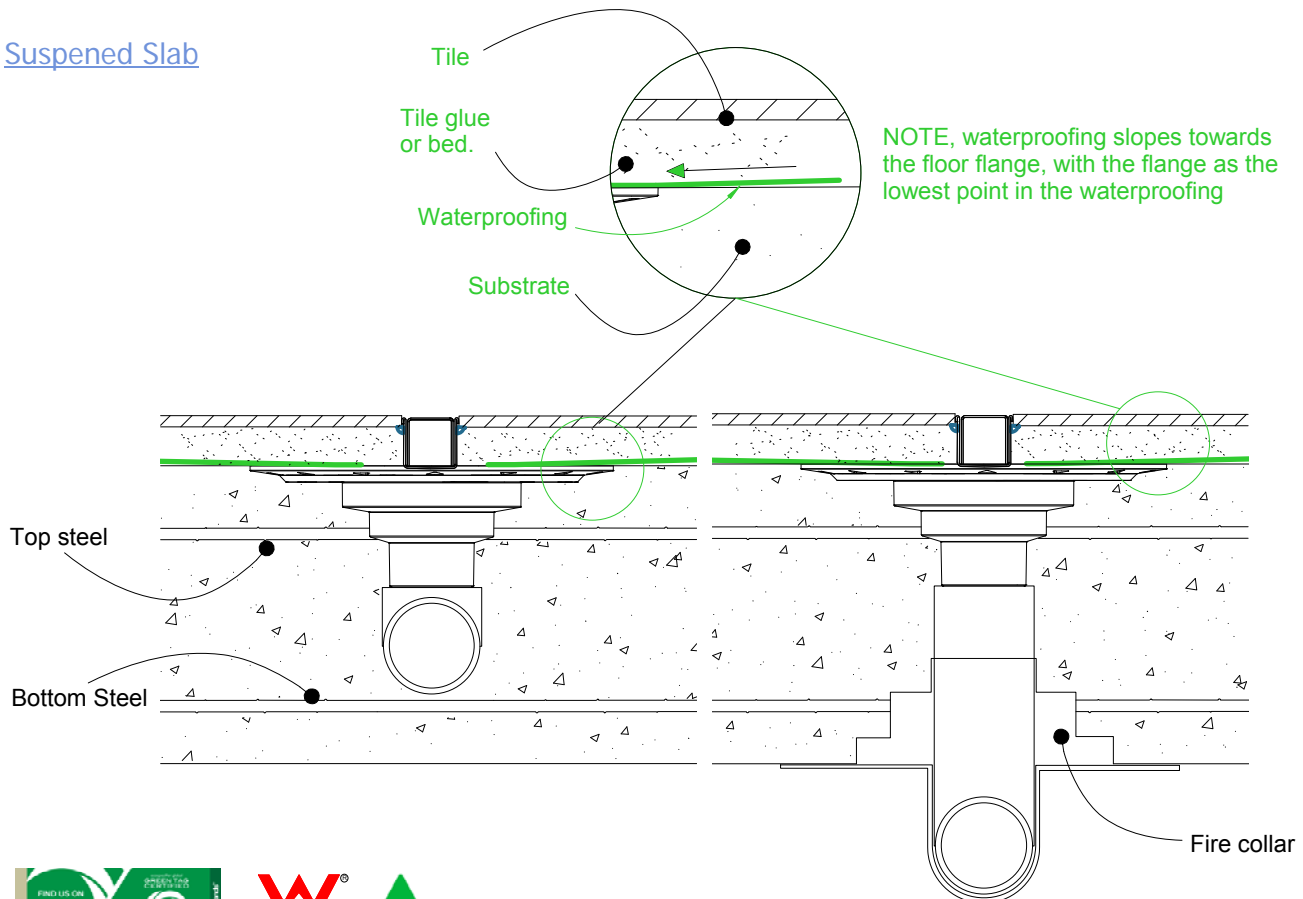
Waterproofing is fixed to the floor flange



Stormtech is 1 or 2mm lower than adjacent tile

Caulk bottom of tile to edge of Stormtech

## Suspended Slab



NOTE, waterproofing slopes towards the floor flange, with the flange as the lowest point in the waterproofing

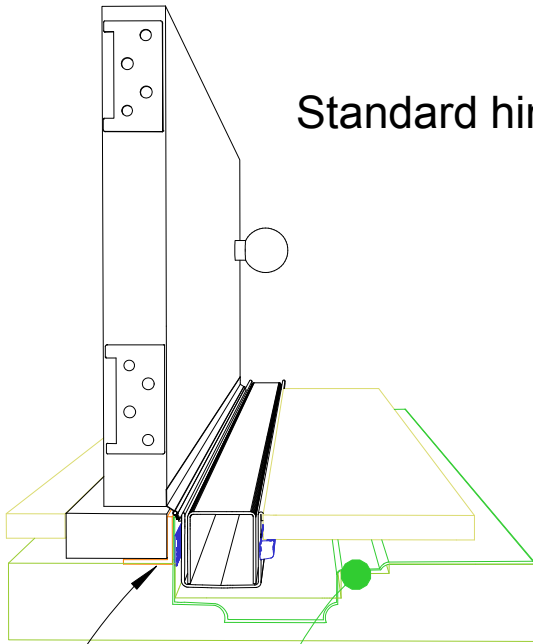


# 38MTL Threshold installation suggestion

For 38ARi409MTL, 38PSi40MTL and 38PHi40MTL

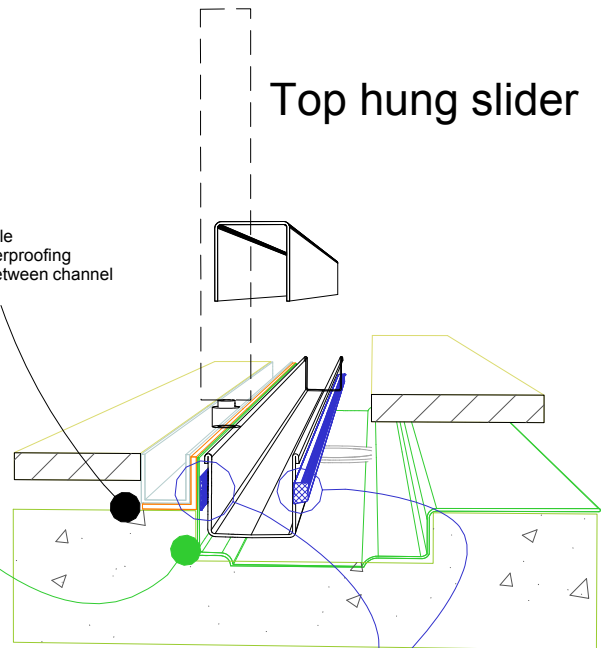


## Standard hinged door



Aluminium angle to support waterproofing and junction between channel and door sil.

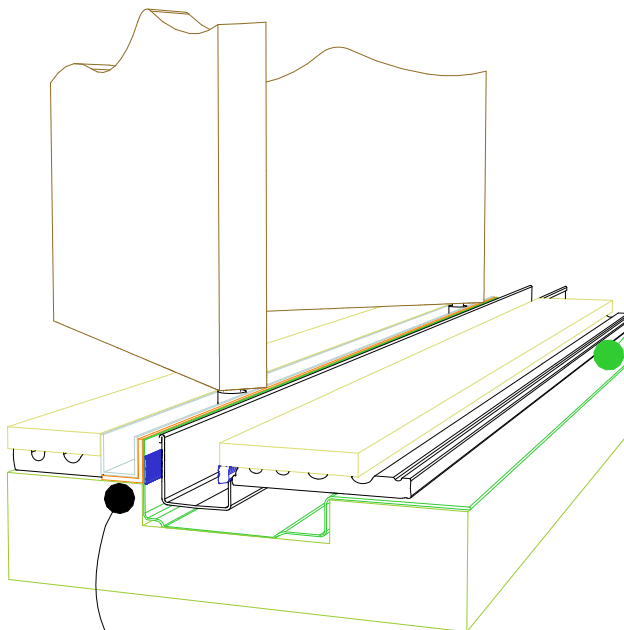
## Top hung slider



Aluminium angle to support waterproofing and junction between channel and door track.

## Waterproofing

## Bi-fold door



Aluminium angle to support waterproofing and junction between channel and door track.

For all types of threshold installation ensure both sides of the channel are sealed before laying tile.

**NOTE, ALWAYS ensure the waterproofing is completed before laying the Stormtech.**

NOTE, ensure weather strip is used on the appropriate side of the door to ensure drafts and moisture are minimised.

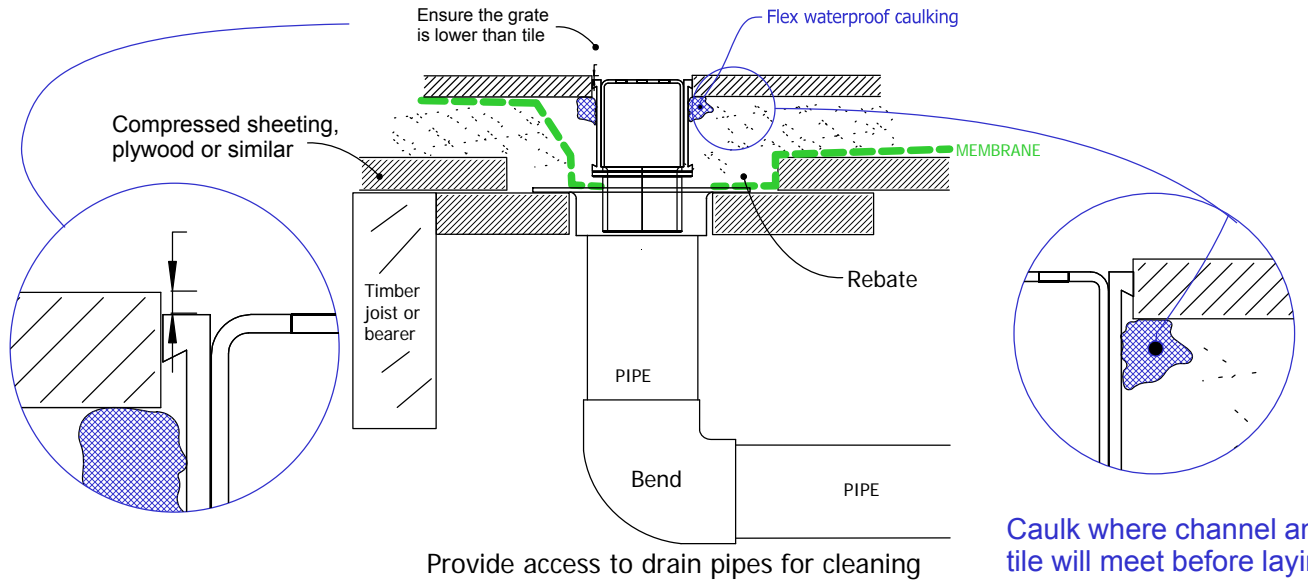


# 38MTL TIMBER FLOOR/DECK

For 38ARi409MTL, 38PSi40MTL and 38PHi40MTL



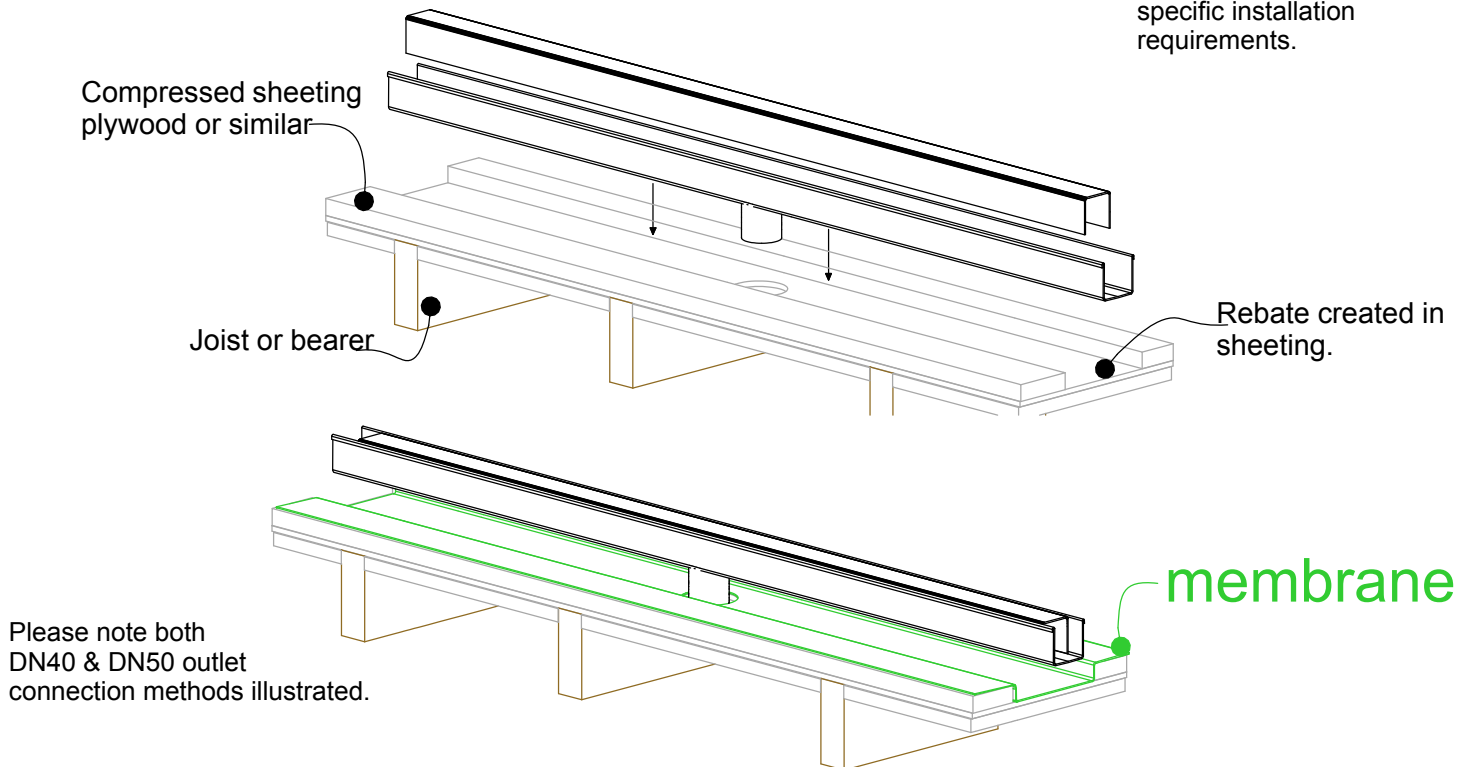
## When 38MTL is running parallel to joist/bearer



Caulk where channel and tile will meet before laying tile.

## When 38MTL is running perpendicular to joist/bearer

Be sure to check with local relevant authorities for your specific installation requirements.

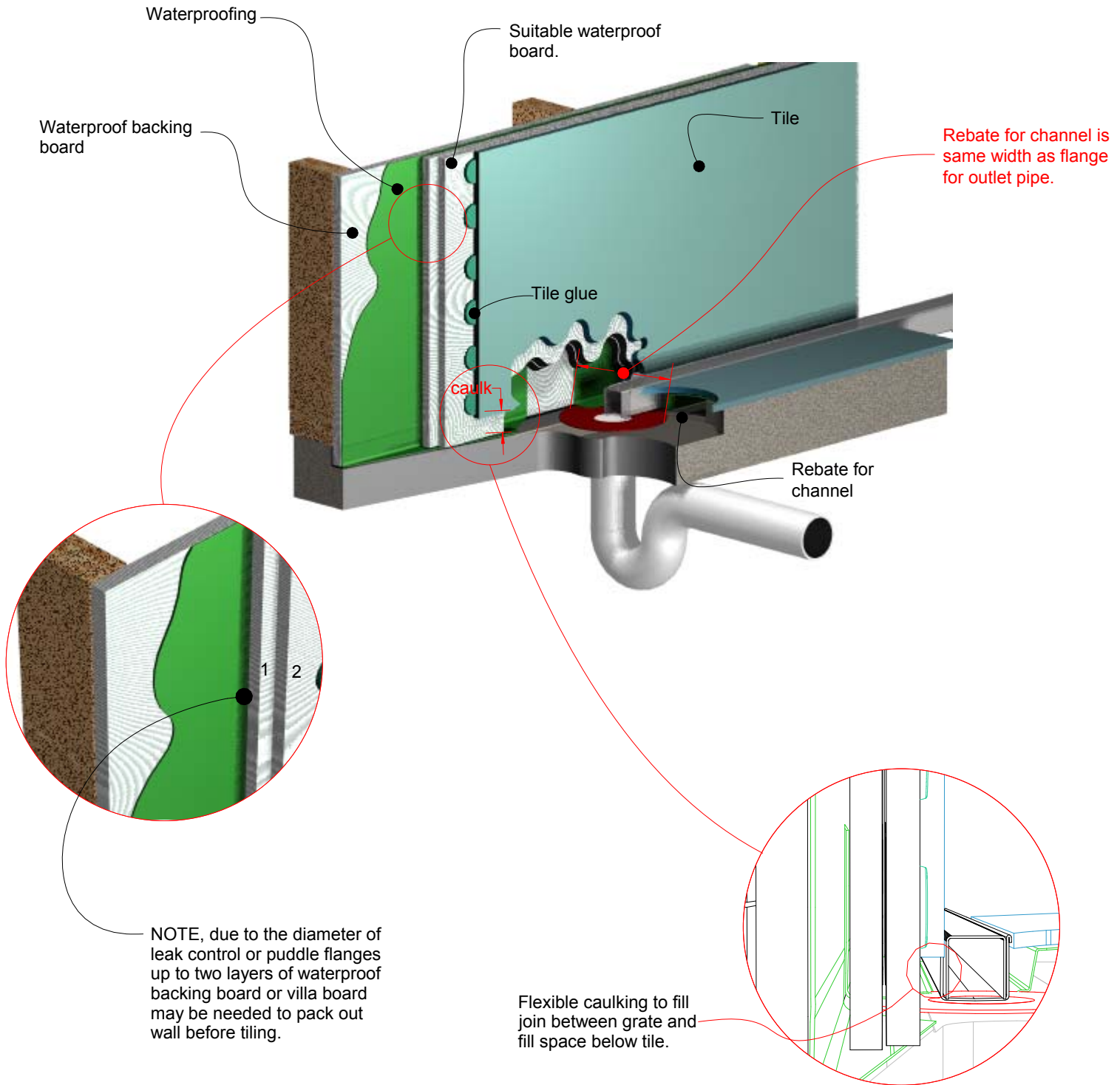


**NOTE: For exterior application allow for expansion of 1mm per metre by using quality suitable flexible sealant on channel joins. Use PVC solvent cement and primer for ends and outlets.**



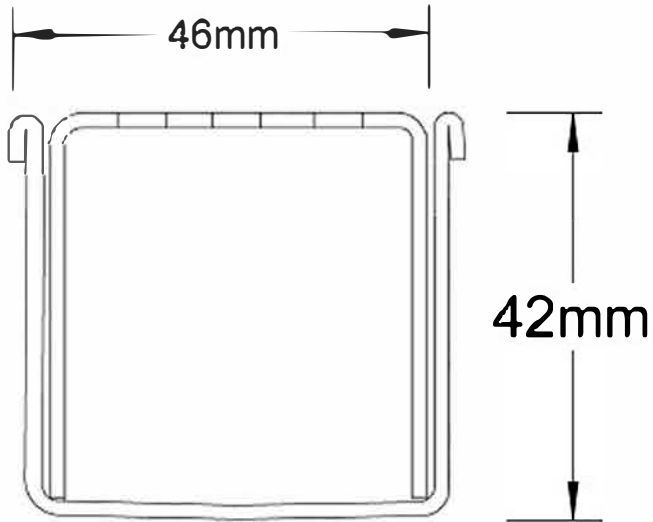
# 38MTL Against Wall

For 38ARI409MTL, 38PSi40MTL and 38PHi40MTL

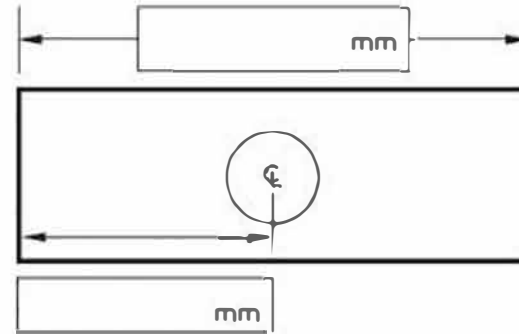




# 38PSi40MTL



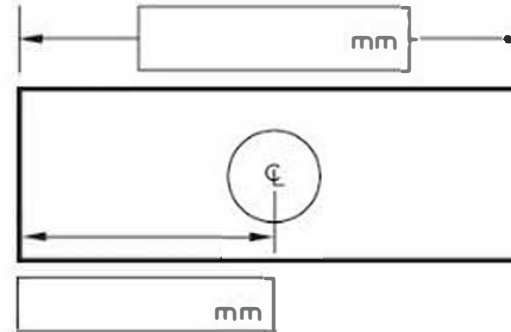
Drain 1



Outlet Size

- 25mm
- 32mm

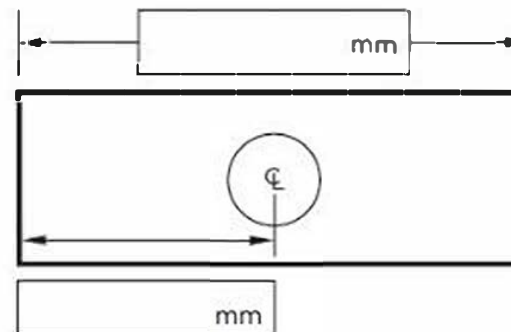
Drain 2



Outlet Size

- 25mm
- 32mm

Drain 3



Outlet Size

- 25mm
- 32mm



WaterMark

Level 2 Licence WMKT 21249



Visit [slimlinedrain.co.uk](http://slimlinedrain.co.uk)

