

ARCHITECTURAL GRATES + DRAINS



# 100TRi40MTL

## Linear Drainage System

Stormtech is the only linear drainage system available with full Greentag and Watermark certification across our complete product range.

Telephone 01483 346460 | Web [slimlinedrain.co.uk](http://slimlinedrain.co.uk)





ARCHITECTURAL  
GRATES + DRAINS



# 100TRi40MTL

## Linear Drainage System



All stainless steel drainage unit made to specified length with specified outlet position.

The 100TR is our standard style grate featuring a 3mm/5mm wire gap.

Manufactured from 316 marine grade steel. Also available in 304 grade stainless steel on request.

Please note that our TR grates have a non finished finish.

Please be aware that depending on the installation environment, for a pool installation or close to a surf beach, you may need to have your stainless steel grates electropolished.

**Code** 100TRi40MTL

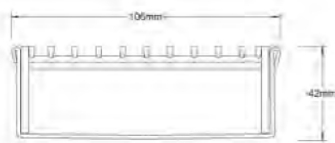
**Range** 100

**Grate Style** TR

**Category** Made-to-Length

**Channel Material** Stainless Steel

**Steel Grade** 316

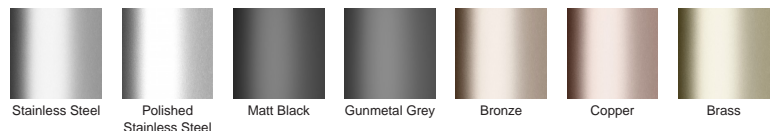


Grates longer than 1500mm supplied in sections.  
Tile Inserts longer than 1200mm supplied in sections.  
Channels over 3000mm supplied in sections with joiner.

### SPECIFICATIONS + DIMENSIONS

|                      |                               |
|----------------------|-------------------------------|
| <b>Channel Width</b> | 106mm                         |
| <b>Channel Depth</b> | 42mm                          |
| <b>Length(s)</b>     | As Required                   |
| <b>Outlet Size</b>   | DN40, DN50, DN65, DN80, DN100 |

### STORMTECH COLOUR FINISHES



Electroplate finishes subject to natural variation with time and local environment. Factors such as pools/surf beaches may require electropolishing. Contact us for suitability.

### PRODUCT APPLICATIONS

- |                             |                            |
|-----------------------------|----------------------------|
| Bathroom Drainage           | Hospitality Drainage       |
| Aged / Health Care Drainage | Paved Area Drainage        |
| Balcony Drainage            | Shower Drainage            |
| Commercial Drainage         | Multi-Residential Drainage |
| Courtyard / Patio Drainage  | Special Needs Drainage     |
| Pool and Spa Area Drainage  | Threshold Drainage         |

Copyright © Stormtech Pty Ltd. Patent 733361. Drawings not to scale, please use dimensions shown.



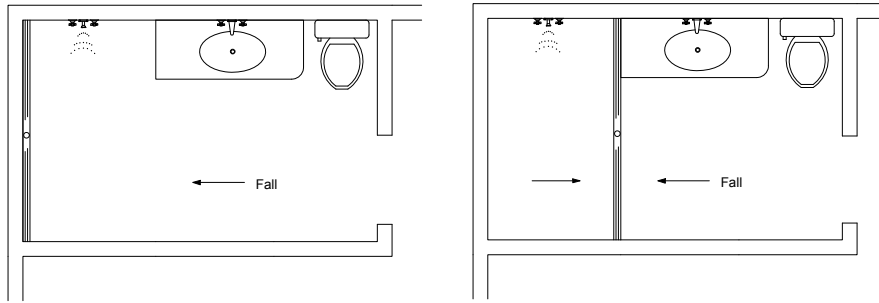
Visit [slimlinedrain.co.uk](http://slimlinedrain.co.uk)  
for tools + inspiration.

Phone 01483 346460

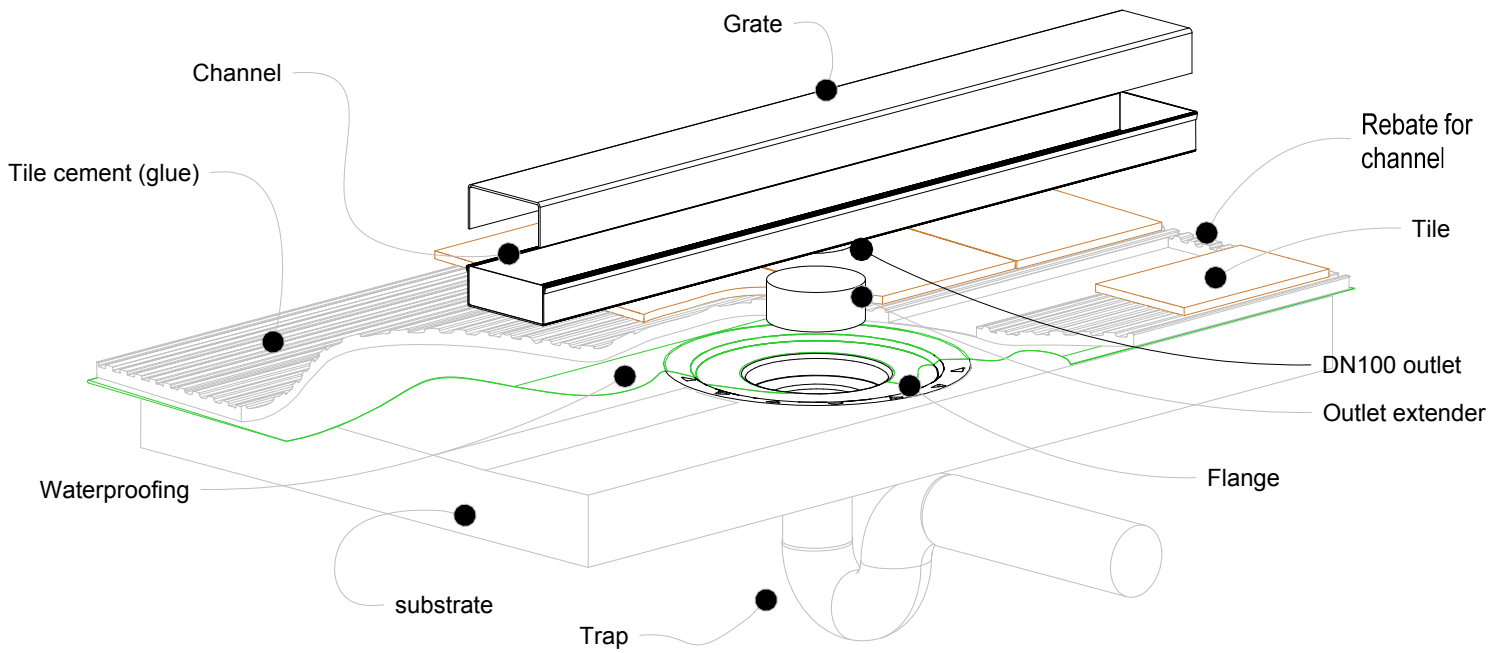
Email [technical@slimlinedrain.co.uk](mailto:technical@slimlinedrain.co.uk)

# 100i40 Bathroom

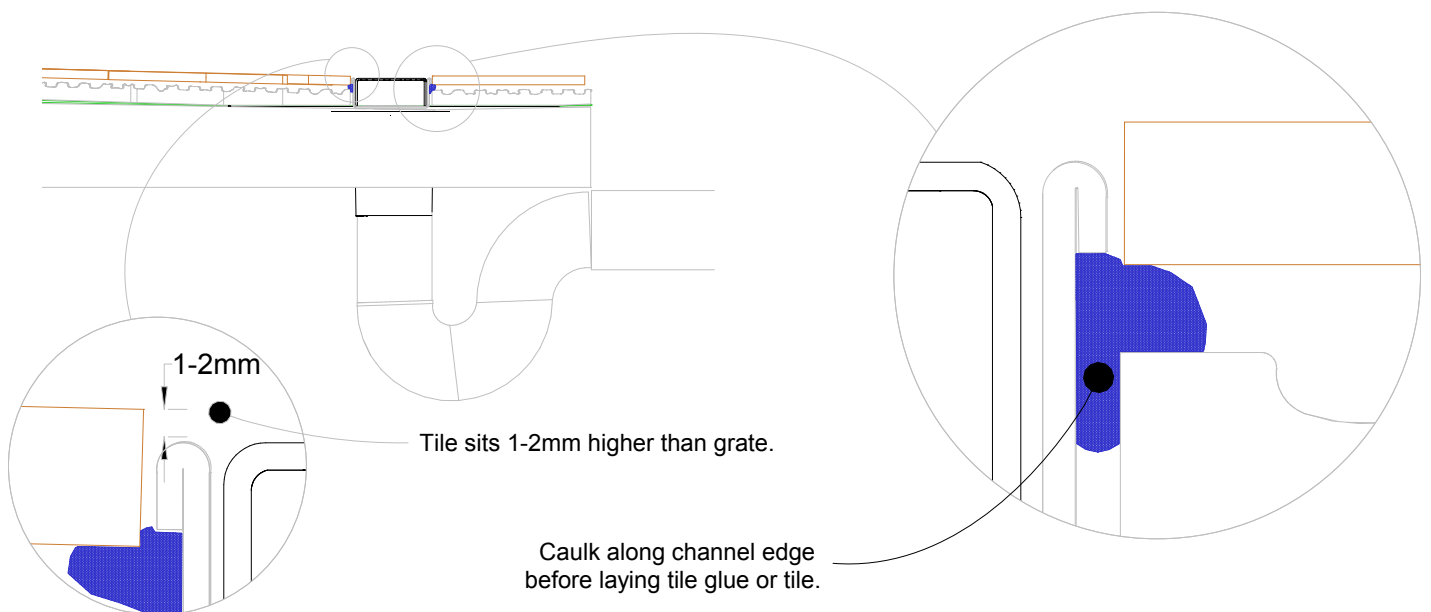
For 100ARi40, 100PSi40, 100TRi40



NOTE, refer to AS3500 for specific outlet pipe sizes related to your specific installation.



NOTE, this method requires the channel system to be ABOVE and SEPARATE from the WATERPROOFING.

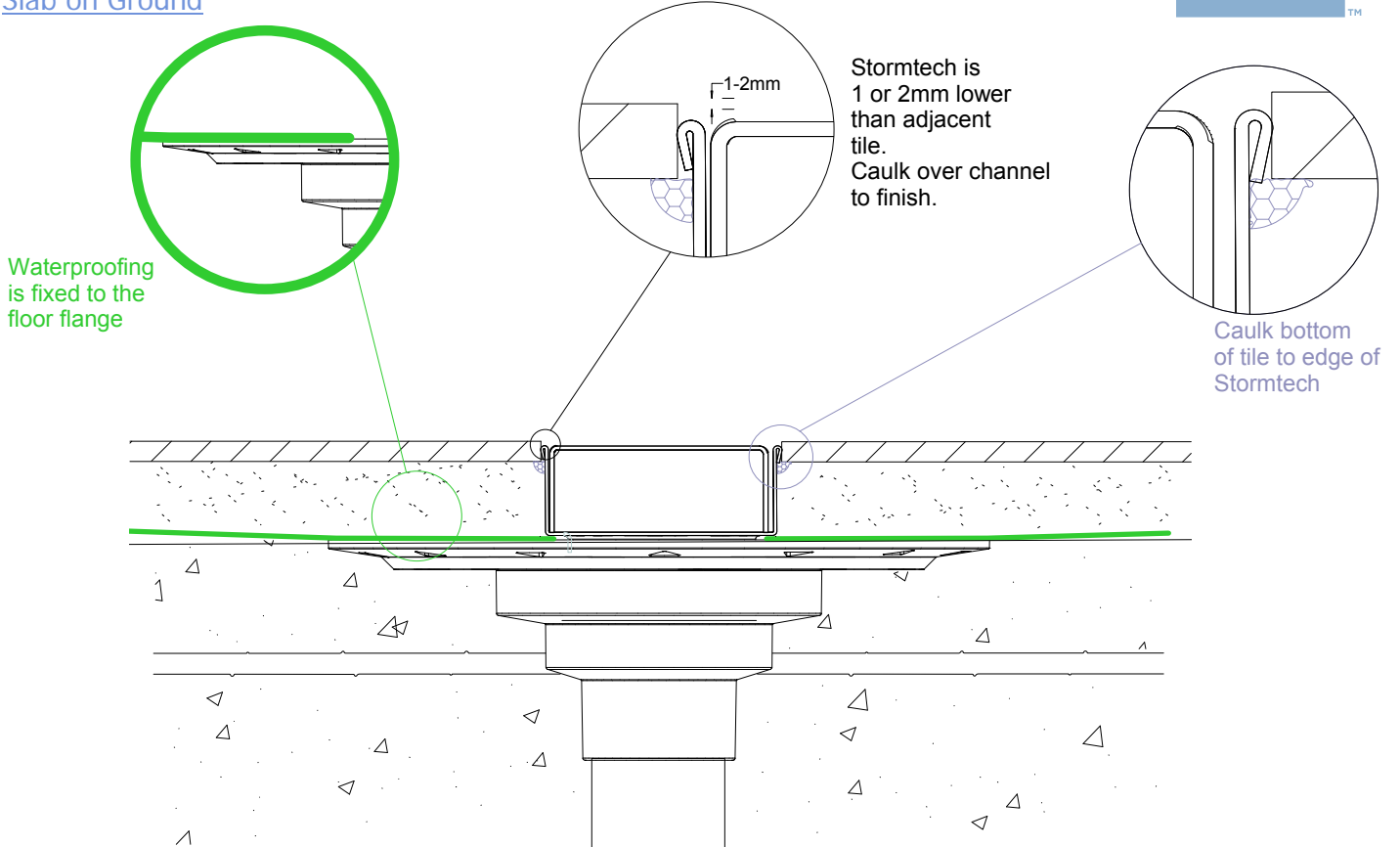


# 100i40 Concrete Floor or Deck

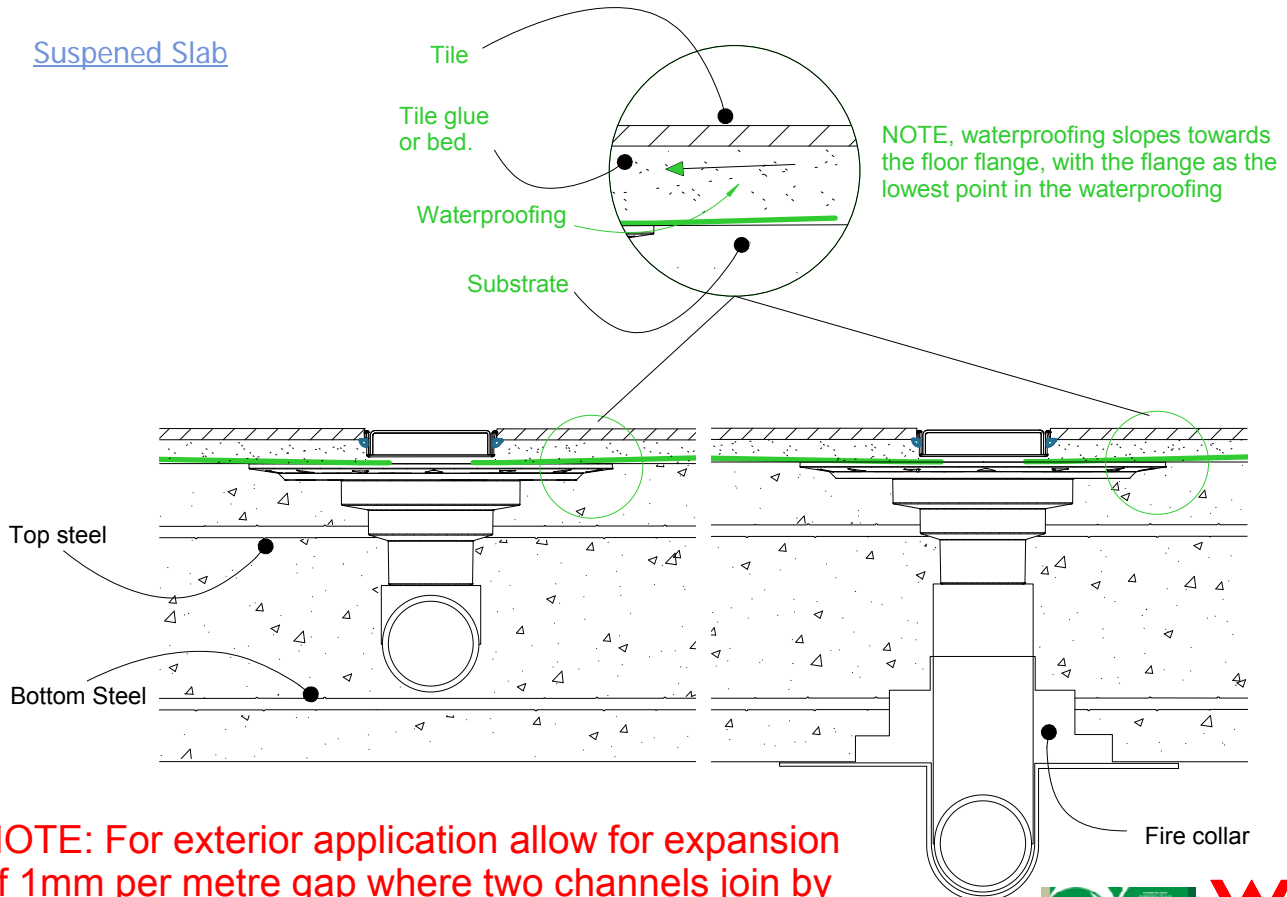
For 100ARi40, 100PSi40, 100TRi40



## Slab on Ground



## Suspended Slab



**NOTE: For exterior application allow for expansion of 1mm per metre gap where two channels join by using quality suitable flexible sealant on channel joiners.**

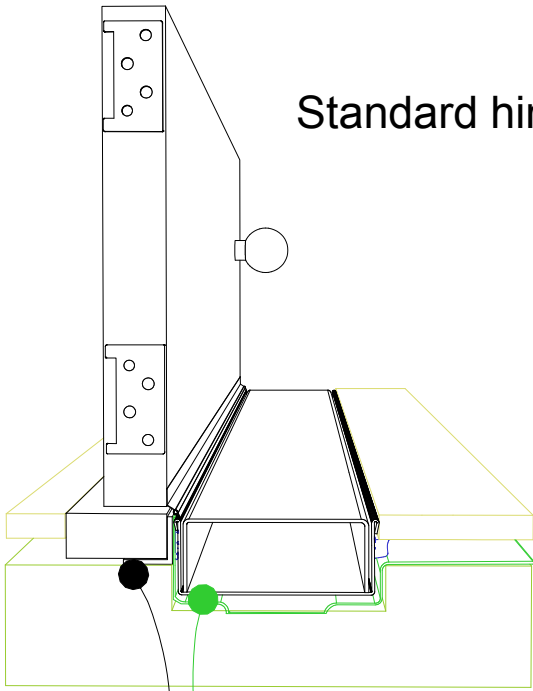


# 100i40 Threshold installation suggestion

For 100ARi40, 100PSi40, 100TRI40



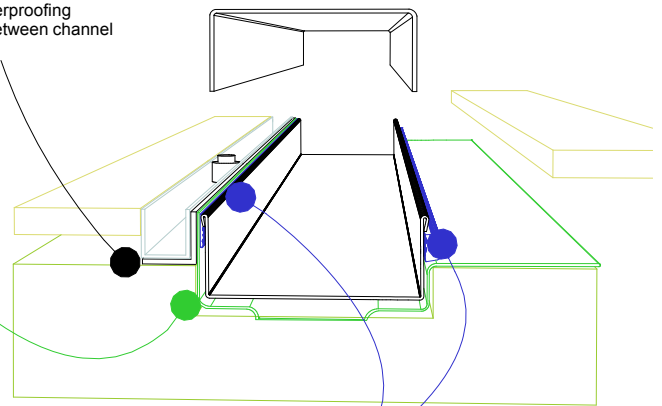
## Standard hinged door



Aluminium angle to support waterproofing and junction between channel and door sil.

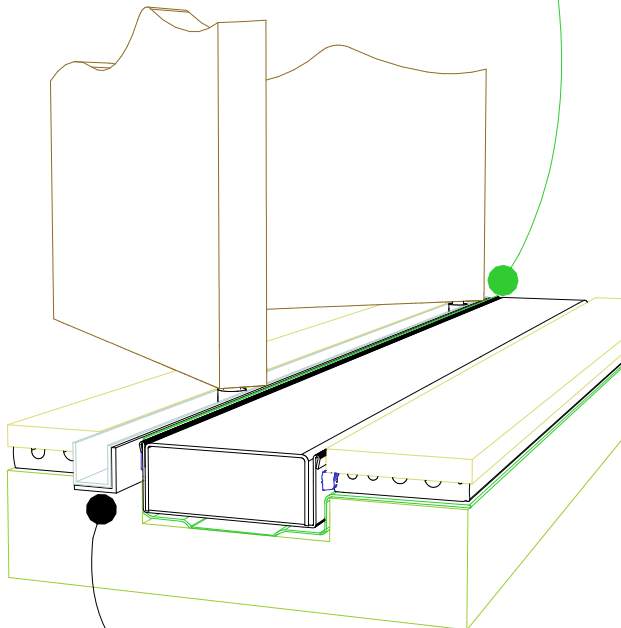
## Top hung slider

Aluminium angle to support waterproofing and junction between channel and door track.



For all types of threshold installation ensure both sides of the channel are sealed before laying tile.

## Bi-fold door



Aluminium angle to support waterproofing and junction between channel and door track.

NOTE, ensure weather strip is used on the appropriate side of the door to ensure drafts and moisture are minimised.

**NOTE, ALWAYS ensure the waterproofing is completed before laying the Stormtech.**

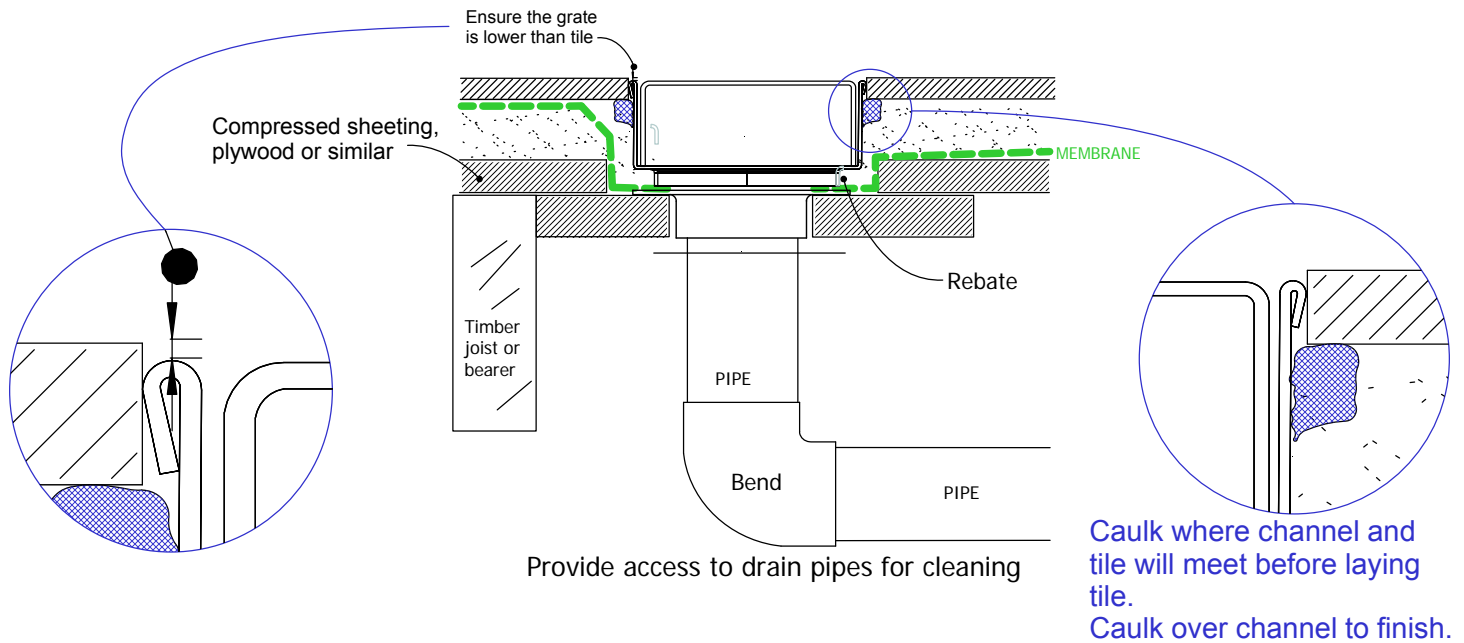


# 100i40 TIMBER FLOOR/DECK

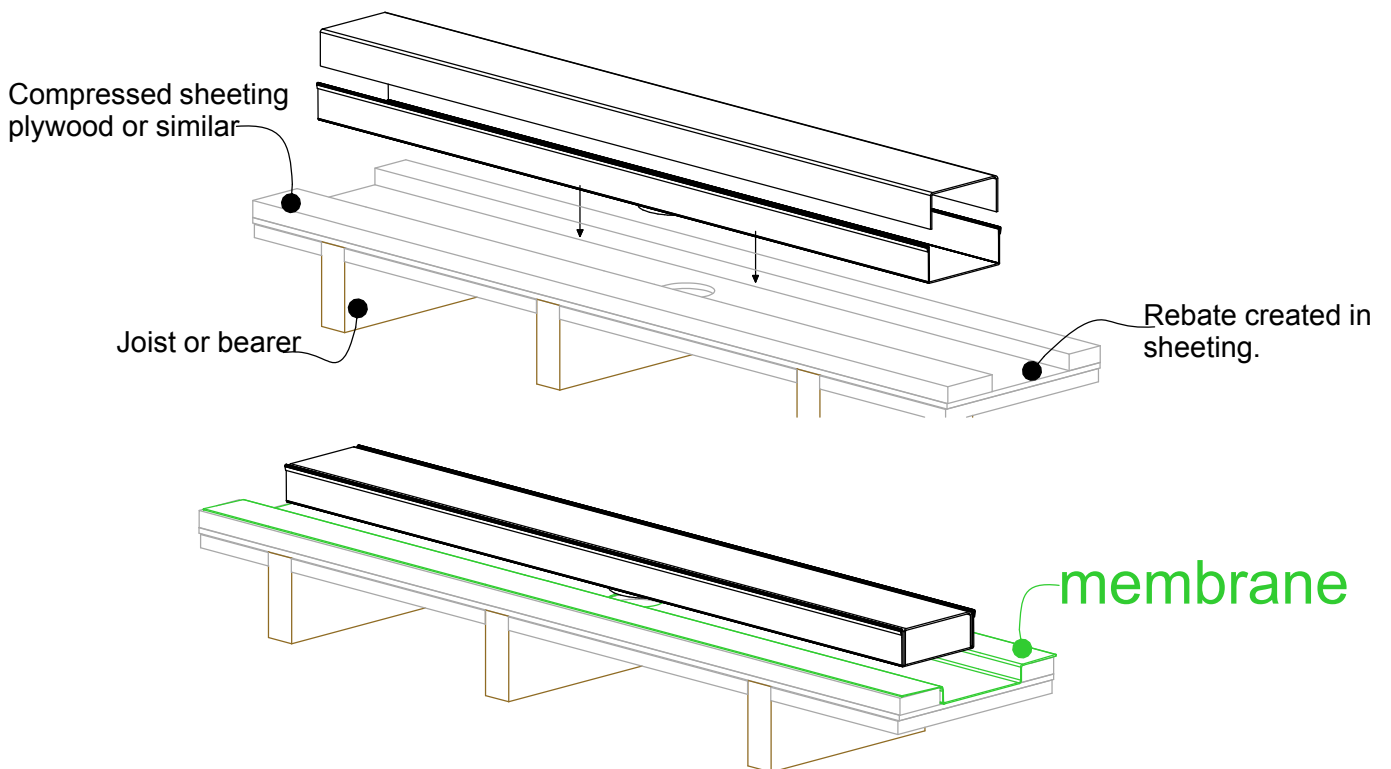
For 100ARi40, 100PSi40, 100TRi40



When 100i40 is running parallel to joist/bearer



When 100i40 is running perpendicular to joist/bearer

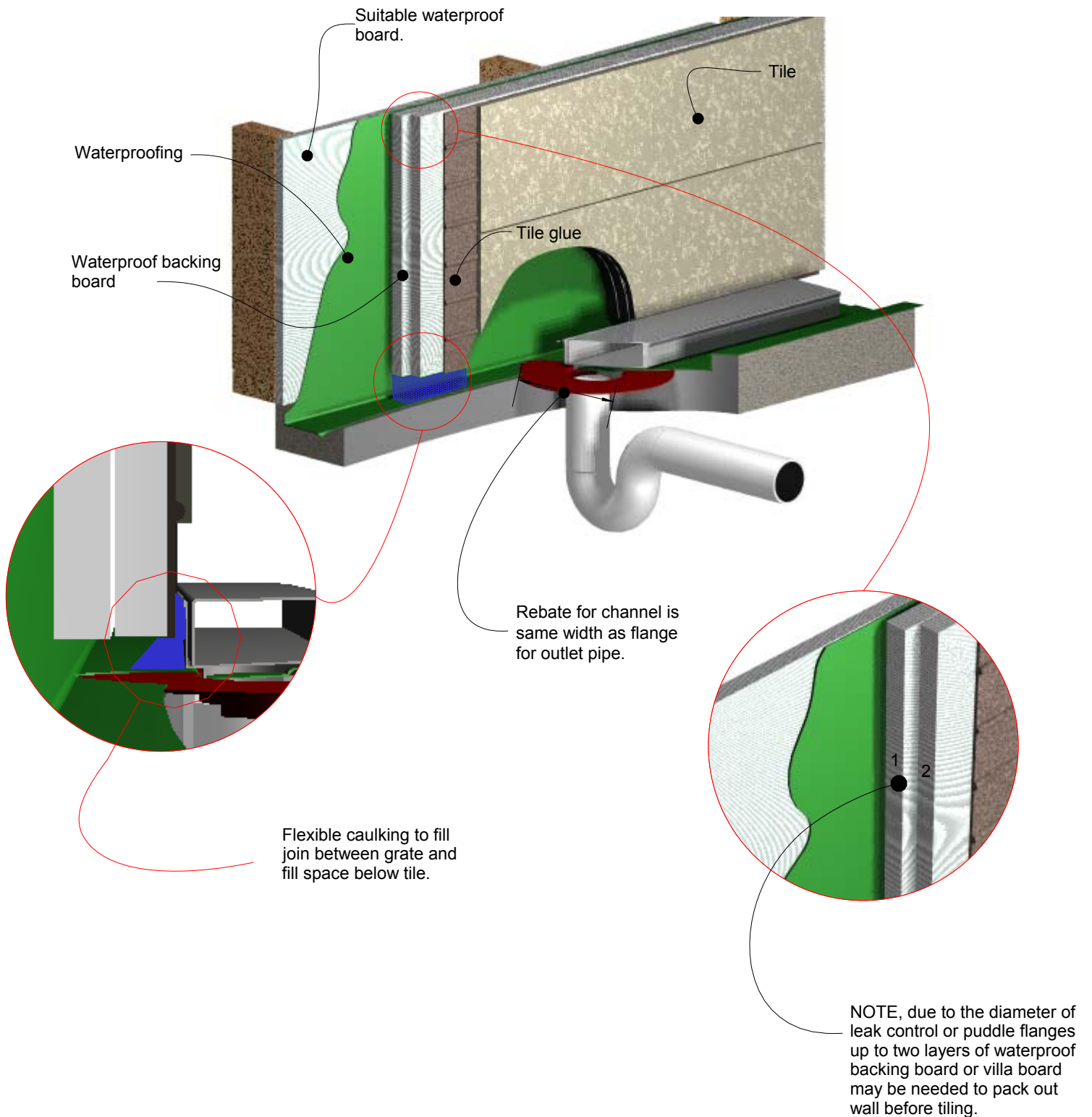


**NOTE: For exterior application allow for expansion of 1mm per metre by using quality suitable flexible sealant on channel joins.**



# 100i40 Against Wall

For 100ARi40, 100PSi40, 100TRi40

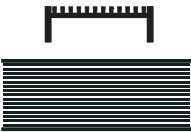
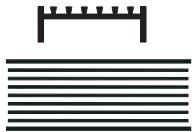






# Order and Quote Form

## Made-to-Length Linear Drainage

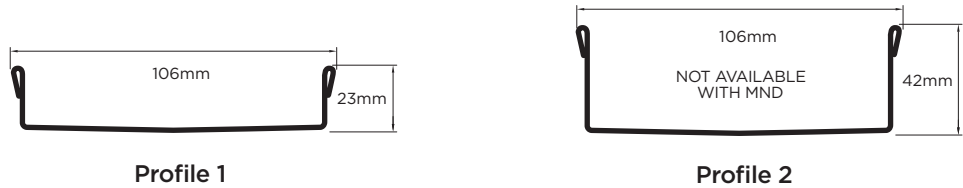


### Select Grate Style

|   |   |   |  |   |   |
|---|---|---|--|---|---|
|  |  |  |  |  |  |
| <input type="checkbox"/> <b>AR Architectural</b><br>2mm wire<br>2.5mm gap         | <input type="checkbox"/> <b>TR Standard</b><br>3mm wire<br>5mm gap                | <input type="checkbox"/> <b>PS Punched Slot</b>                                   | <input type="checkbox"/> <b>MND Marc Newson</b>                                    | <input type="checkbox"/> <b>PAS Punched Angle Slot</b>                              | <input type="checkbox"/> <b>PPS Punched Perpendicular Slot</b>                      |

### Tray Profiles

100 Range



65 Range



### Specify Size, Outlet and Profile Required

Drain 1

mm

**Profile Required**

1  2  3  4

**Outlet Size**

38mm  44mm  51mm  
 63mm  76mm  89mm

mm

Drain 2

mm

**Profile Required**

1  2  3  4

**Outlet Size**

38mm  44mm  51mm  
 63mm  76mm  89mm

mm

Drain 3

mm

**Profile Required**

1  2  3  4

**Outlet Size**

38mm  44mm  51mm  
 63mm  76mm  89mm

mm

**Please Note**  
 See AS3500 standard & local regulator for specific outlet/drain requirements.  
 Outlet Size must be smaller than selected Range.  
 MND grate style not available with Profiles 2 or 4.  
 Stainless Steel Grade is 316 unless specified  
 Made-to-Length (MTL) minimum charge of 800mm.  
 Grates longer than 1500mm are supplied in multiple sections.  
 Channels are a maximum 3000mm in one piece, channels over 3000mm are supplied in multiple sections with joiner.  
 +/- 2mm tolerance on dimensions.

**Full Name**

**Company Name**

**Telephone**

**Email Address**

**Order Number**

**Stormtech Quote Number**

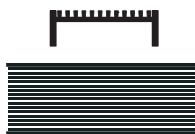
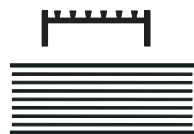




**Signature**



# Made-to-Length Linear Drainage › Multiple Outlet



## Select Grate Style

|   |   |   |  |   |   |
|---|---|---|--|---|---|
|  |  |  |  |  |  |
| <input type="checkbox"/> <b>AR Architectural</b><br>2mm wire<br>2.5mm gap         | <input type="checkbox"/> <b>TR Standard</b><br>3mm wire<br>5mm gap                | <input type="checkbox"/> <b>PS Punched Slot</b>                                   | <input type="checkbox"/> <b>MND Marc Newson</b>                                    | <input type="checkbox"/> <b>PAS Punched Angle Slot</b>                              | <input type="checkbox"/> <b>PPS Punched Perpendicular Slot</b>                      |

## Tray Profiles

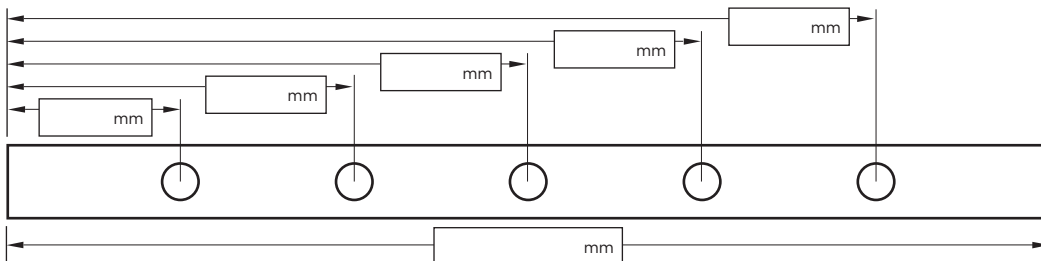
100 Range



65 Range



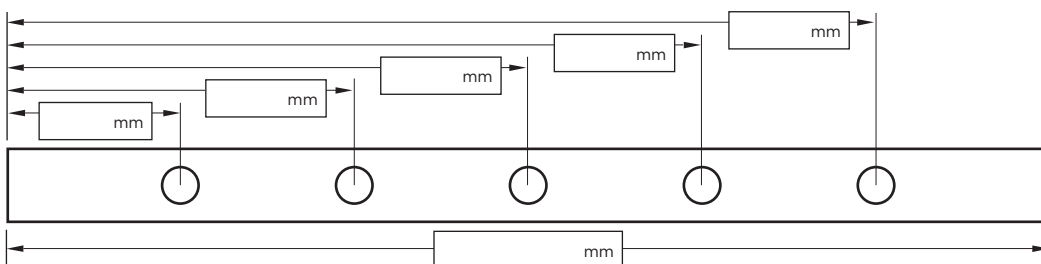
## Specify Length, Outlet Positions/Size and Profile Required



**Drain 1**

**Profile Required**  
 1  2  3  4

**Outlet Size**  
 38mm  44mm  51mm  
 63mm  76mm  89mm



**Drain 2**

**Profile Required**  
 1  2  3  4

**Outlet Size**  
 38mm  44mm  51mm  
 63mm  76mm  89mm

**NOTE:** See AS3500 standard & local regulator for specific outlet/drain requirements. Outlet Size must be smaller than selected Range. MND grate style not available with Profiles 2 or 4. Stainless Steel Grade is 316 unless specified. Made-to-Length (MTL) minimum charge of 800mm. Grates over 1500mm are supplied in multiple sections. Channels over 3000mm are supplied in multiple sections with joiner. +/- 2mm tolerance on dimensions.

**Full Name**

**Company Name**

**Telephone**

**Email Address**

**Order Number**  **Stormtech Quote Number**

**Signature**

Visit [slimlinedrain.co.uk](http://slimlinedrain.co.uk)

