

ARCHITECTURAL GRATES + DRAINS



65TRi25

Linear Drainage System

Stormtech is the only linear drainage system available with full Greentag and Watermark certification across our complete product range.

Telephone 01483 346460 | Web slimlinedrain.co.uk





ARCHITECTURAL
GRATES + DRAINS



65TRi25

Linear Drainage System



The 65TR25 is a standard style grate featuring a 3mm wire/5mm gap.

The 65TRi25 is a modular drainage kit with stainless steel grate(s), stainless steel drainage channel and fittings.

All components are manufactured from 316 marine grade stainless steel.

Please note that our TR grates have a non finished finish.

Refer to AS3500 for outlet pipe sizes specific to your installation.

Code 65TRi25

Range 65

Grate Style TR

Category Modular Kits

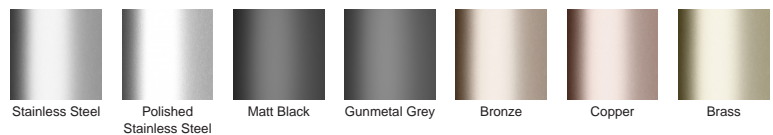
Channel Material Stainless Steel

Steel Grade 316

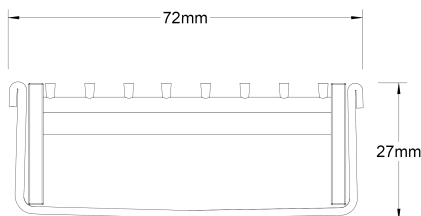
SPECIFICATIONS + DIMENSIONS

Channel Width	72mm
Channel Depth	27mm
Length(s)	900mm 1000mm 1200mm 1500mm 1800mm 1900mm 2000mm
Outlet Size	DN50

STORMTECH COLOUR FINISHES



Electroplate finishes subject to natural variation with time and local environment. Factors such as pools/surf beaches may require electropolishing. Contact us for suitability.



Grates longer than 1500mm supplied in sections.
Tile Inserts longer than 1200mm supplied in sections.
Channels over 3000mm supplied in sections with joiner.

PRODUCT APPLICATIONS

- | | |
|-----------------------------|----------------------------|
| Bathroom Drainage | Hospitality Drainage |
| Aged / Health Care Drainage | Paved Area Drainage |
| Balcony Drainage | Shower Drainage |
| Commercial Drainage | Multi-Residential Drainage |
| Courtyard / Patio Drainage | Special Needs Drainage |
| Pool and Spa Area Drainage | Threshold Drainage |

Copyright © Stormtech Pty Ltd. Patent 733361. Drawings not to scale, please use dimensions shown.



Visit slimlinedrain.co.uk
for tools + inspiration.

Phone 01483 346460

Email technical@slimlinedrain.co.uk

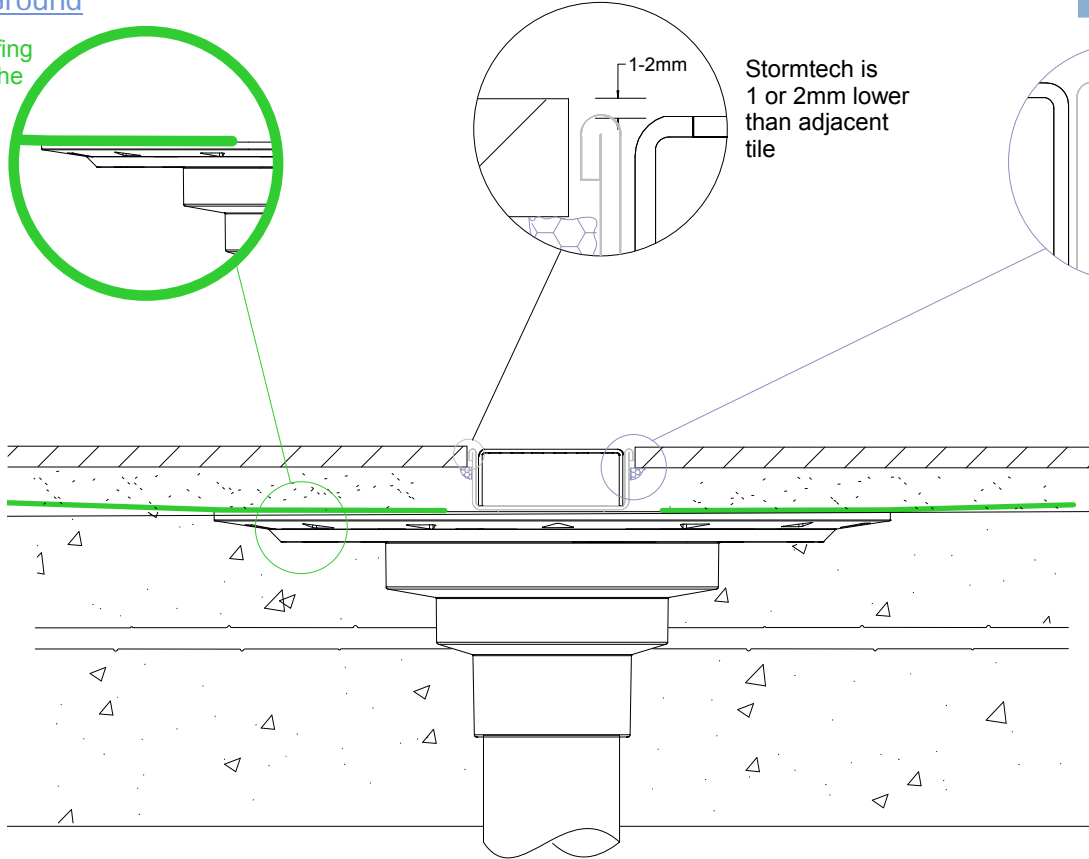
65i25 Concrete Floor or Deck

For 65ARi25, 65MNDi25, 65PHi25, 65PSi25, 65TRi25, and 65TRTi25.



Slab on Ground

Waterproofing is fixed to the floor flange



Stormtech is 1 or 2mm lower than adjacent tile

Caulk bottom of tile to edge of Stormtech

Suspended Slab

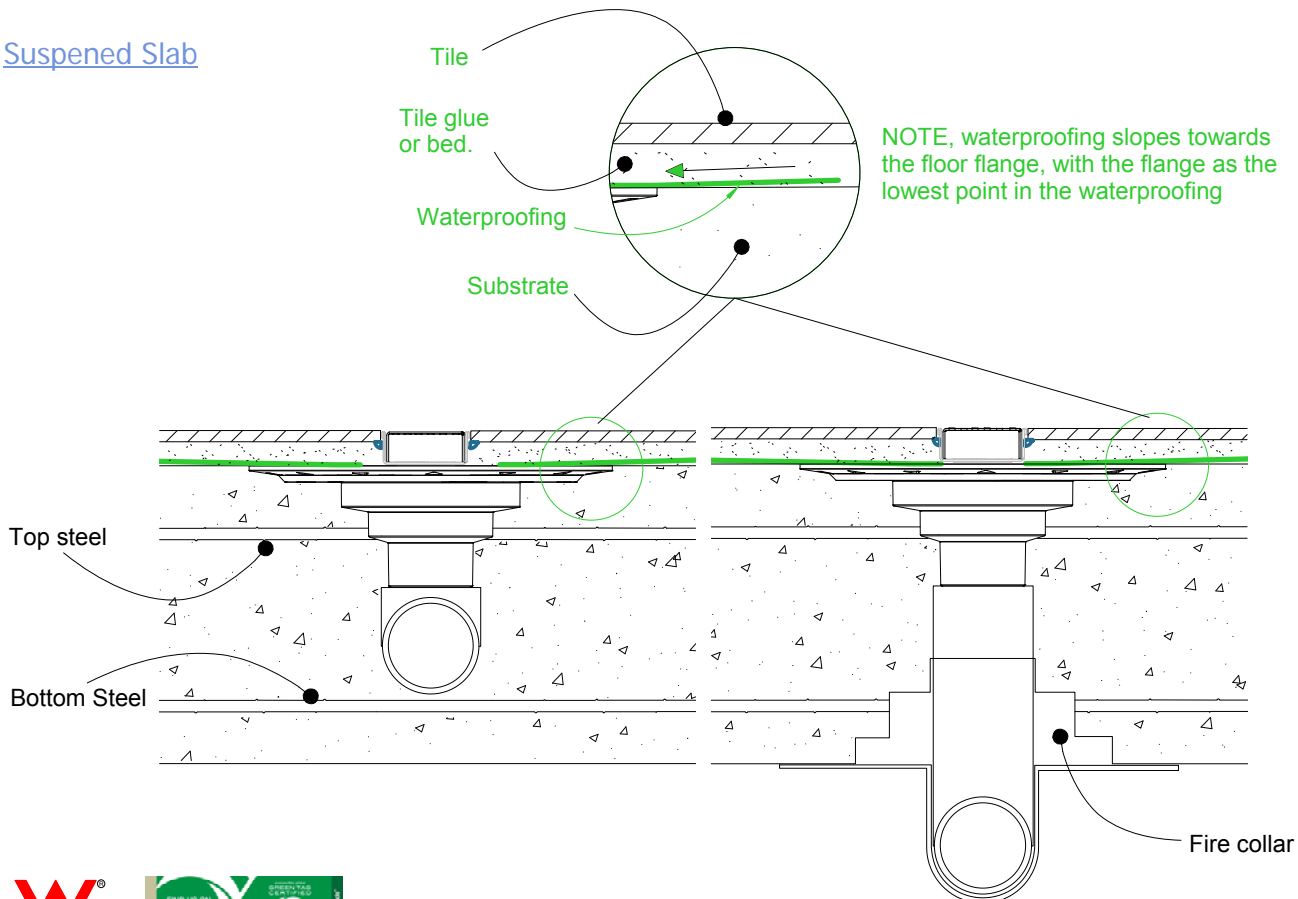
Tile

Tile glue or bed.

Waterproofing

Substrate

NOTE, waterproofing slopes towards the floor flange, with the flange as the lowest point in the waterproofing

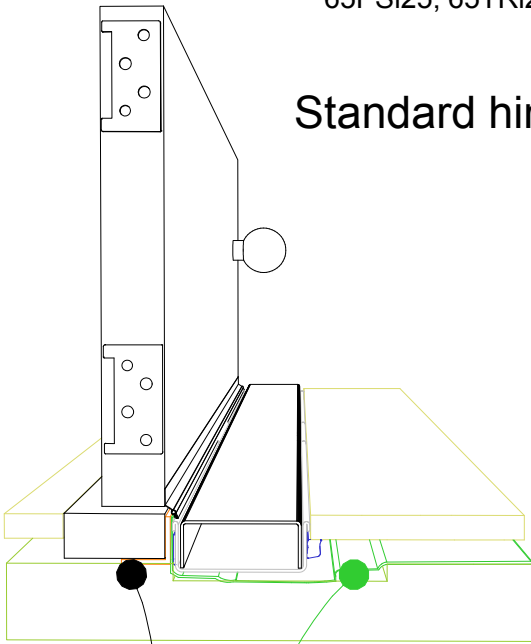


65i25 Threshold installation suggestion

For 65ARi25, 65MNDi25, 65PHi25, 65PSi25, 65TRi25, and 65TRTi25.

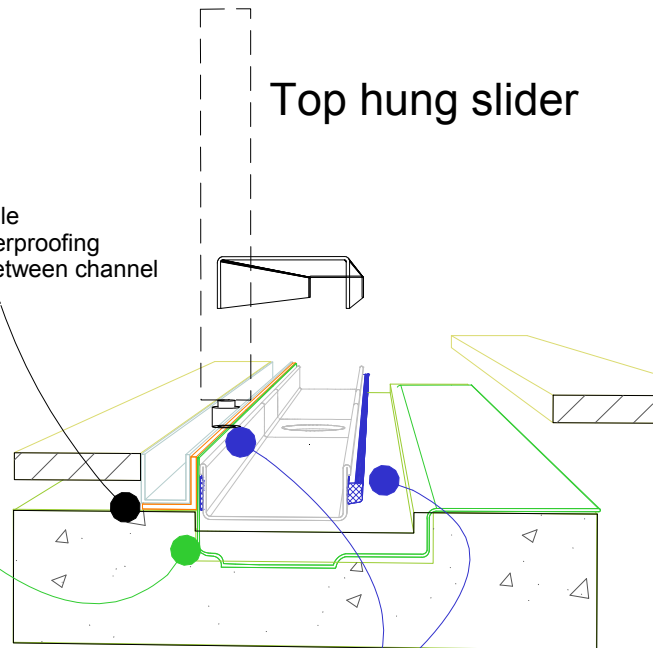


Standard hinged door



Aluminium angle to support waterproofing and junction between channel and door sil.

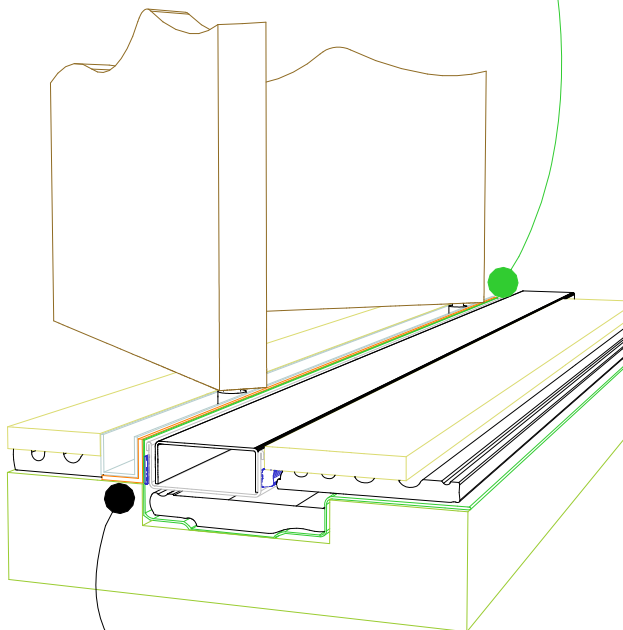
Top hung slider



Aluminium angle to support waterproofing and junction between channel and door track.

Waterproofing

Bi-fold door



Aluminium angle to support waterproofing and junction between channel and door track.

For all types of threshold installation ensure both sides of the channel are sealed before laying tile.

NOTE, ALWAYS ensure the waterproofing is completed before laying the Stormtech.

NOTE, ensure weather strip is used on the appropriate side of the door to ensure drafts and moisture are minimised.

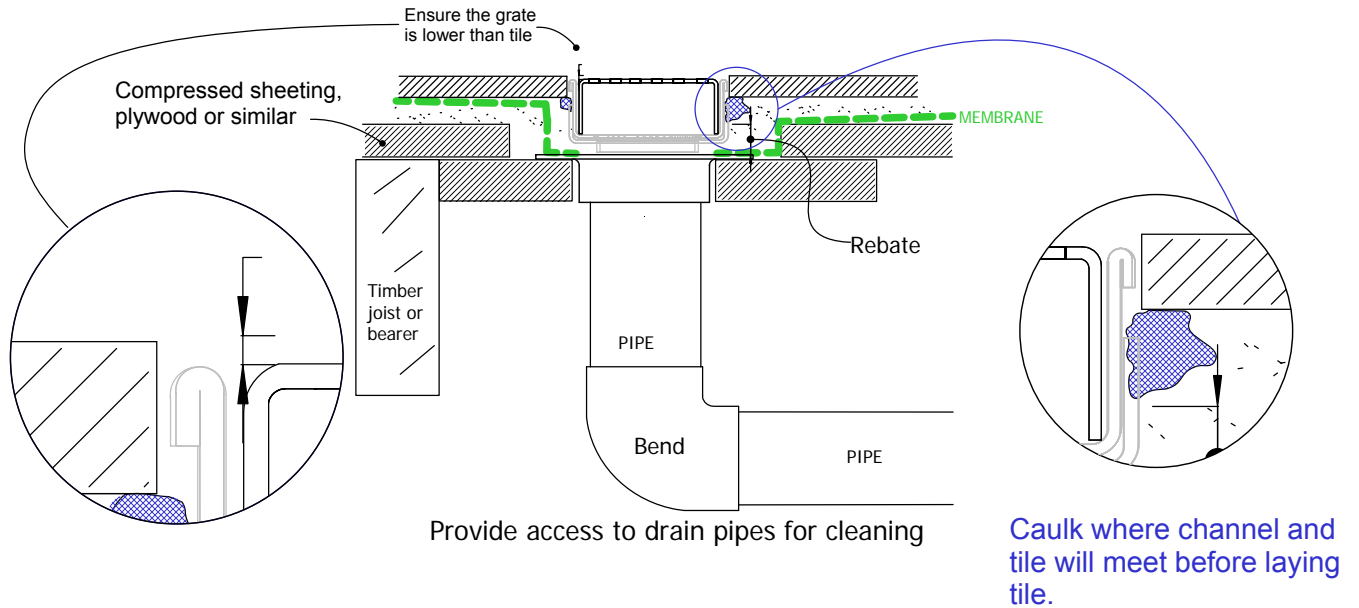


65i25 TIMBER FLOOR/DECK

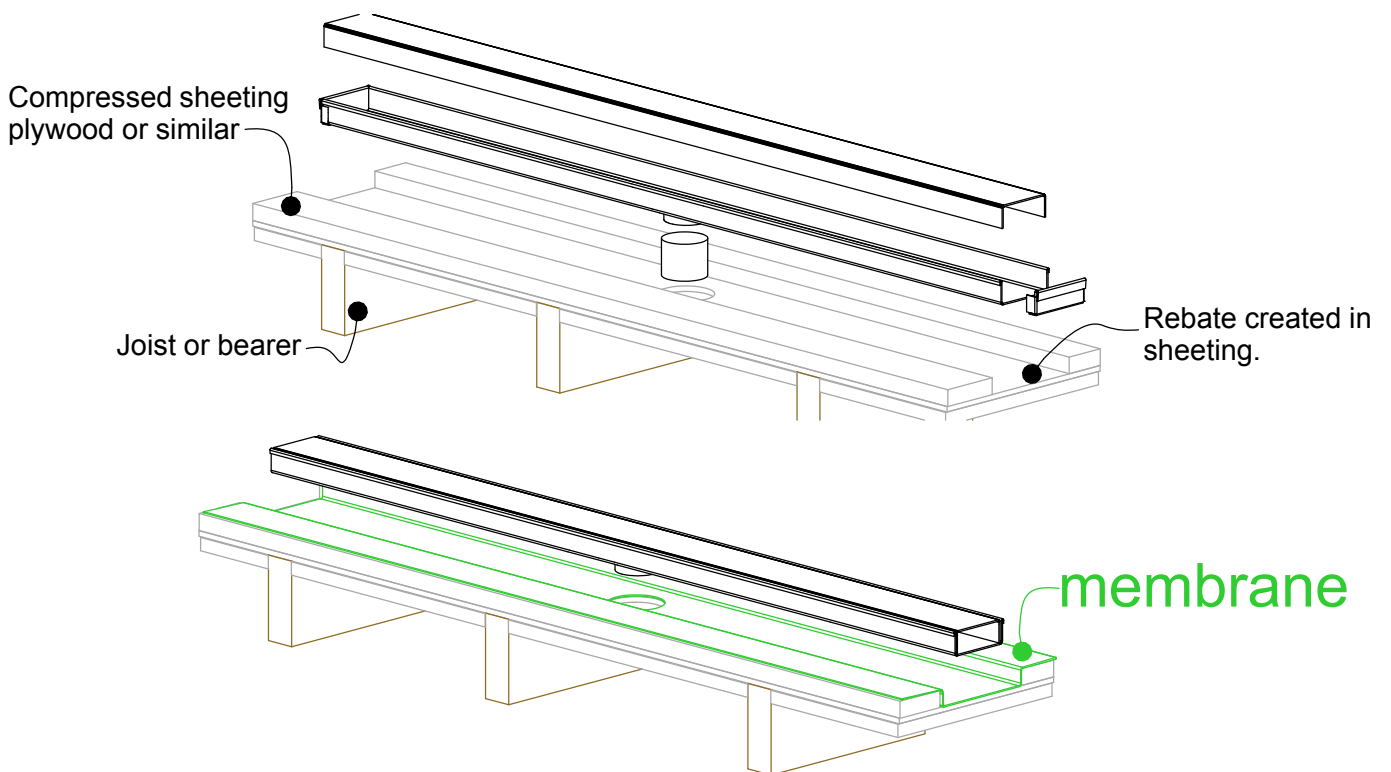
For 65ARi25, 65MNDi25, 65PHi25,
65PSi25, 65TRi25, and 65TRTi25.



When 65i25 is running parallel to joist/bearer



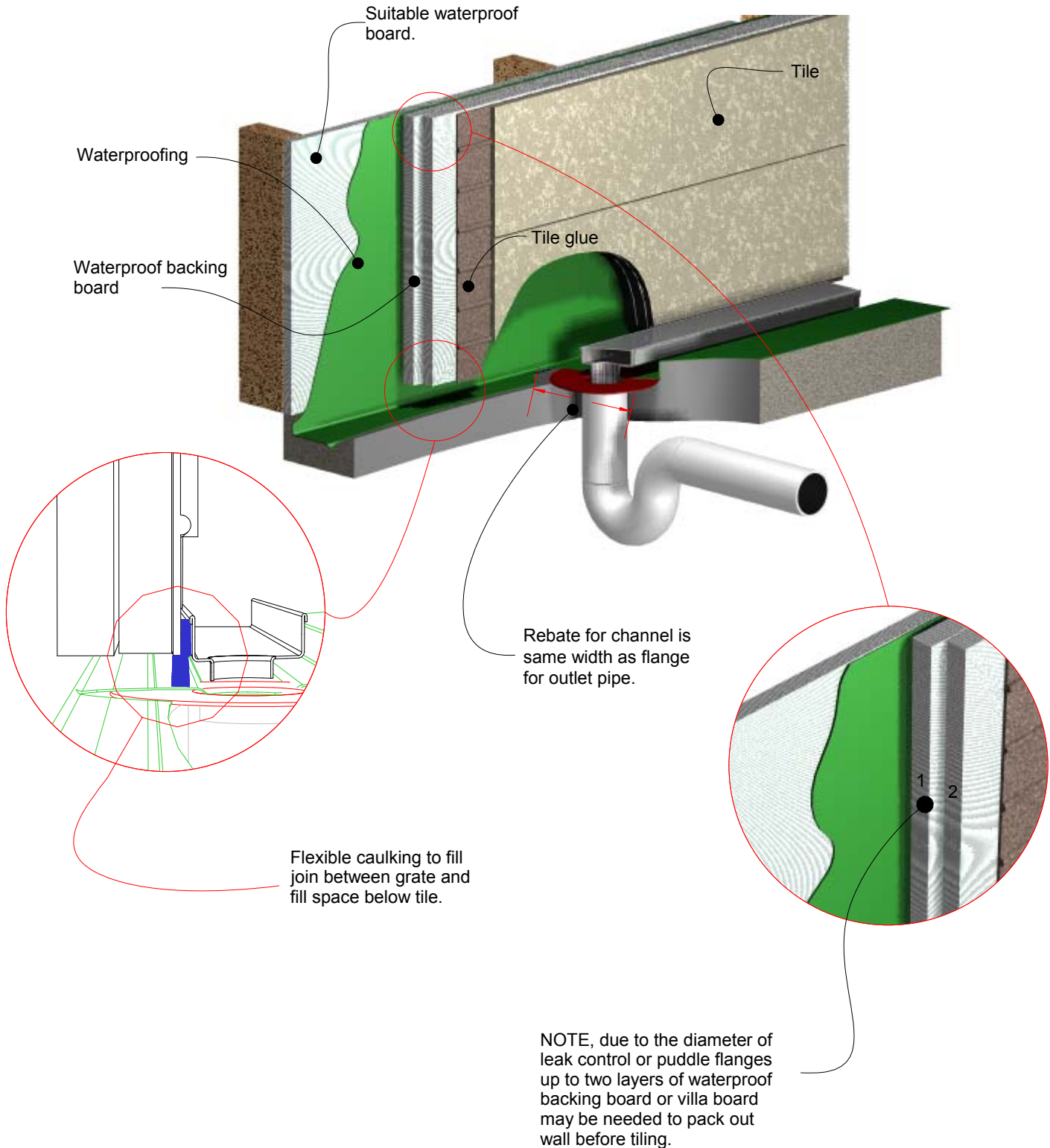
When 65i25 is running perpendicular to joist/bearer



NOTE: For exterior application allow for expansion of 1mm 3 metres by using quality suitable flexible sealant on channel joins. Use PVC solvent cement for ends and outlets.

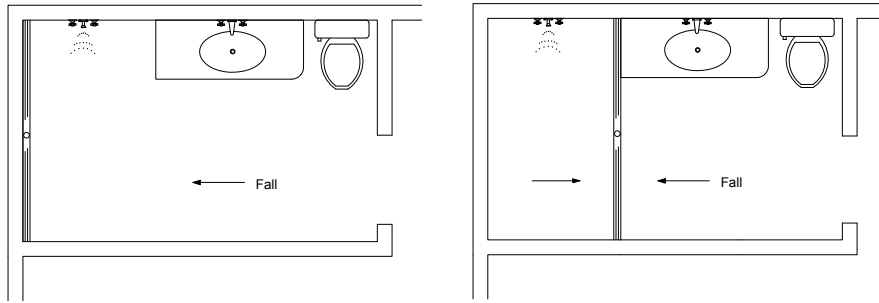
65i25 Against Wall

For 65ARi25, 65MNDi25, 65PHi25, 65PSi25, 65TRi25, and 65TRTi25.

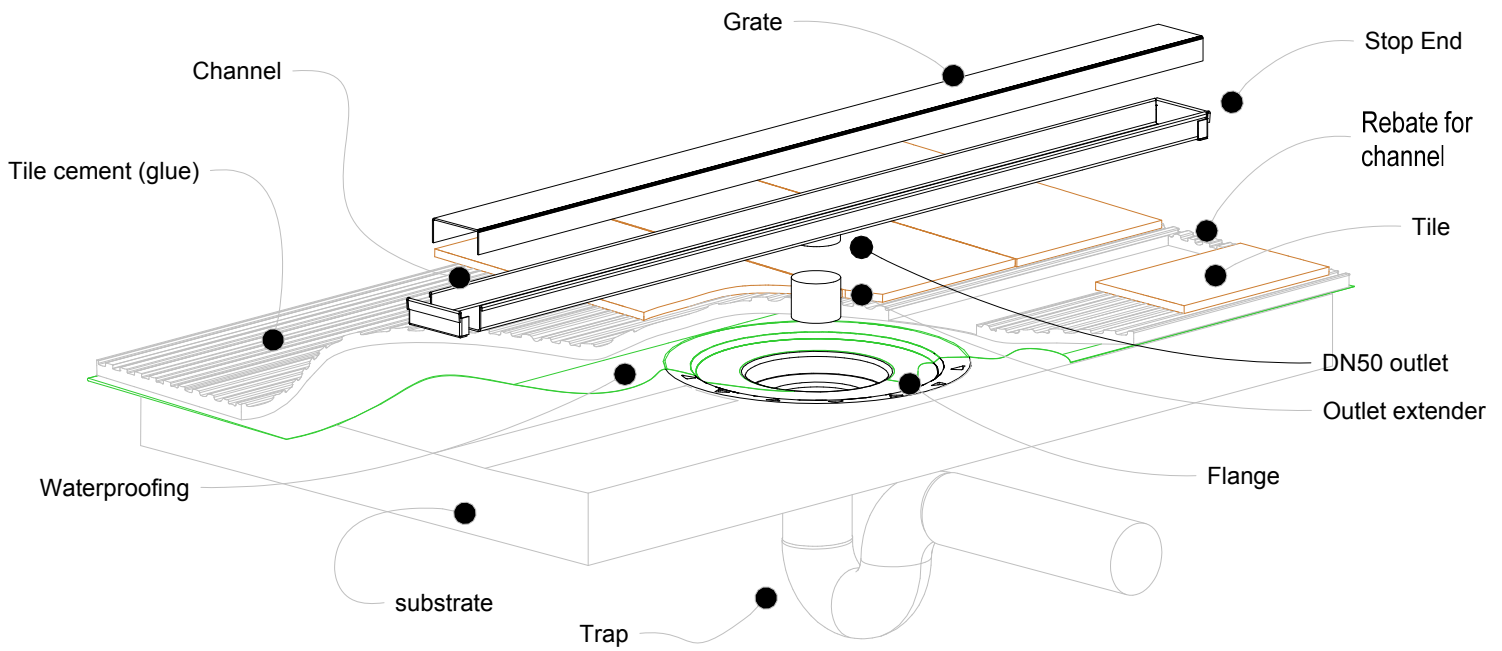


65i25 Bathroom (Kits under 2m)

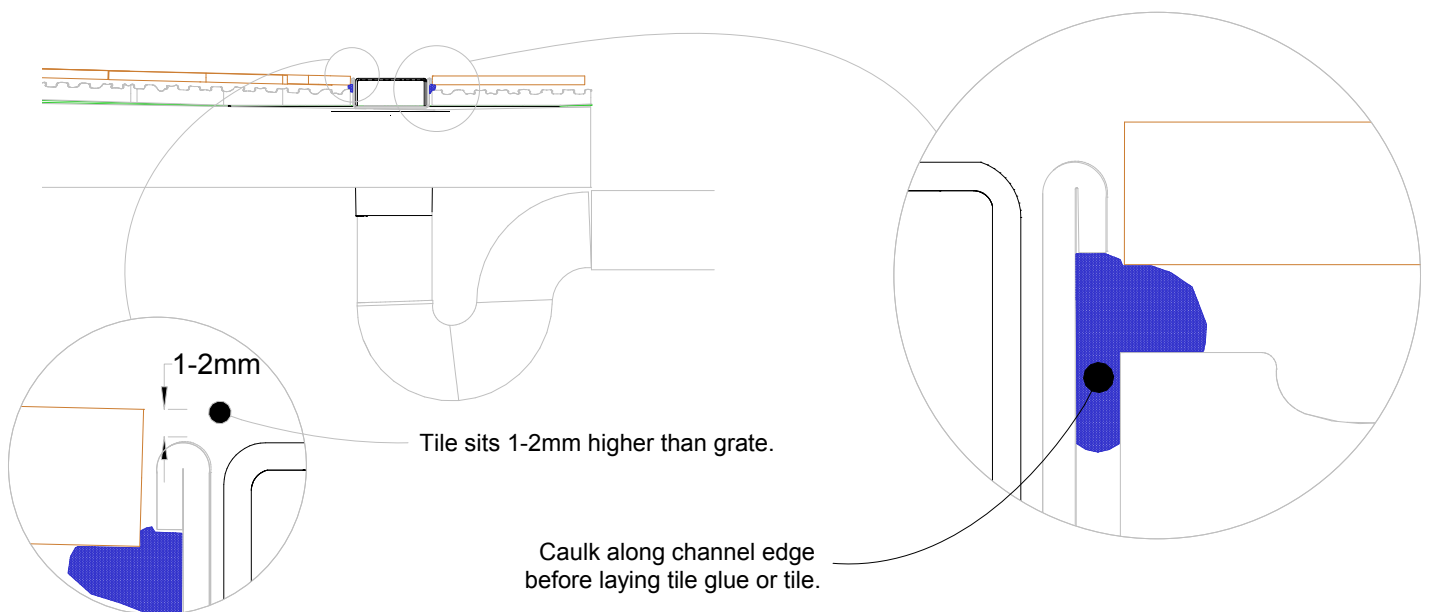
For 65ARi25, 65MNDi25, 65PHi25,
65PSi25, 65TRi25, and 65TRTi25.



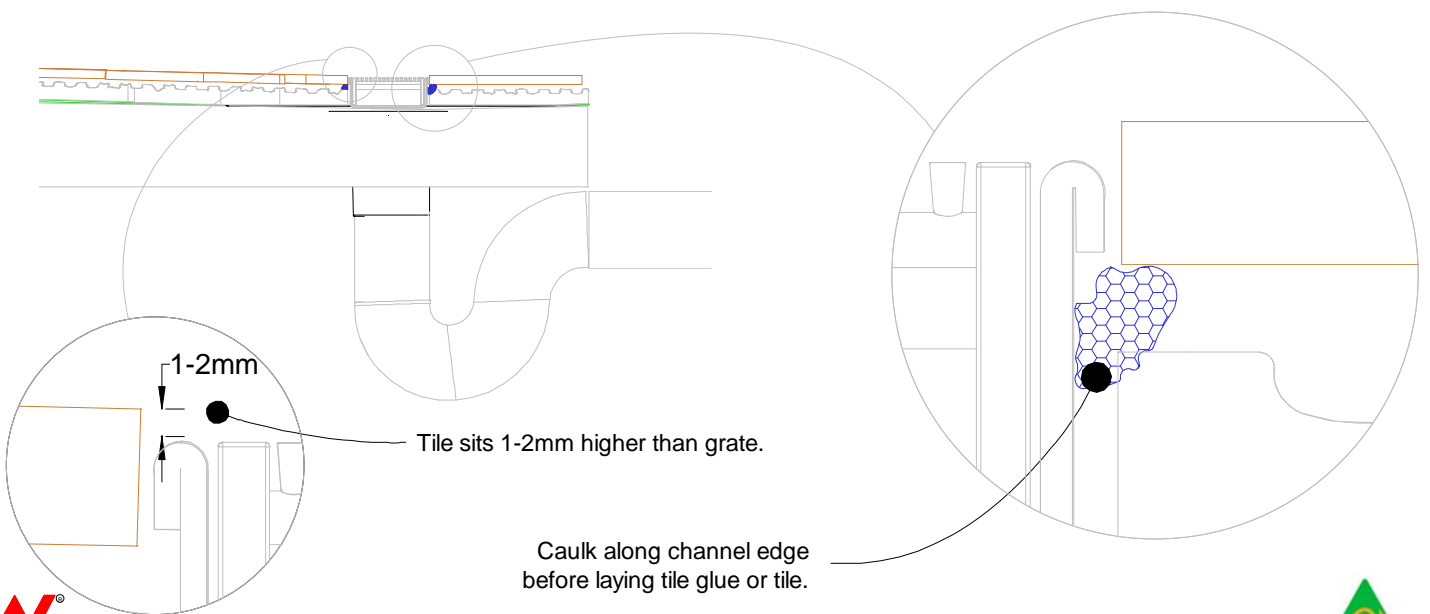
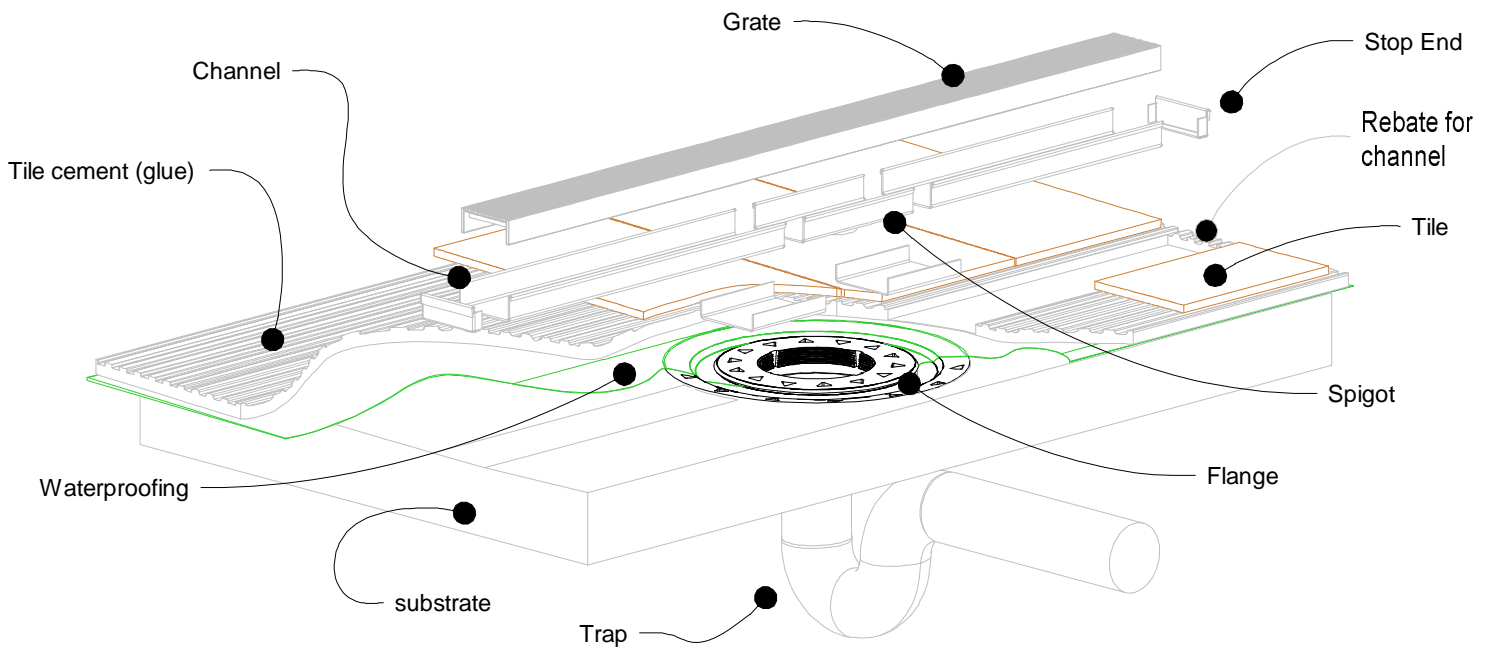
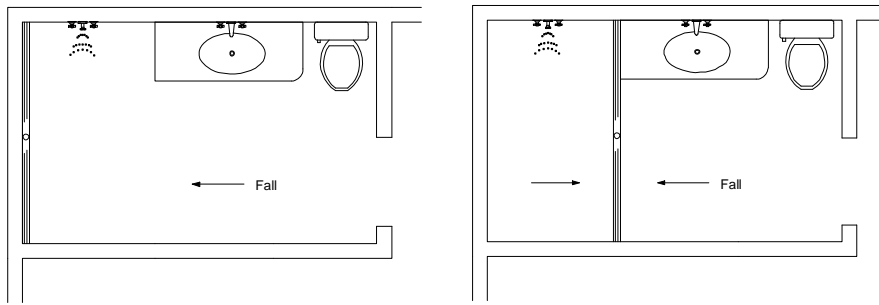
NOTE, refer to AS3500 for specific outlet pipe sizes related to your specific installation.



NOTE, this method requires the channel system to be ABOVE and SEPARATE from the WATERPROOFING.



65i25 Bathroom (Kits over 2m)

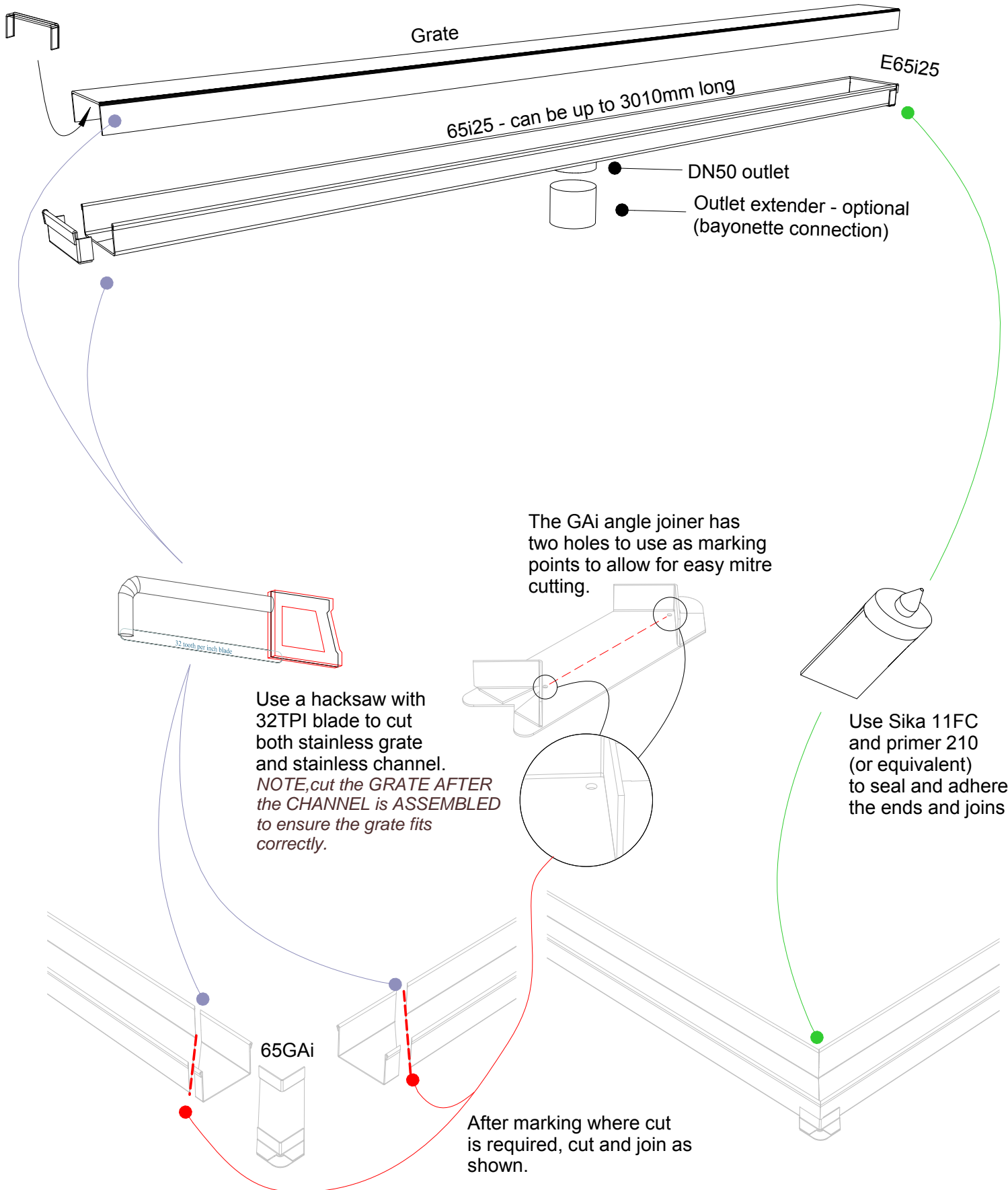


65i25 Assembly

For 65ARi25, 65MNDi25, 65PHi25, 65PSi25,
65TRi25, 65FTi25.



The PSB support fits under the cut grate to support tyne of the grate (65PS only).



Grate

65i25 - can be up to 3010mm long

E65i25

DN50 outlet

Outlet extender - optional
(bayonette connection)

The GAI angle joiner has two holes to use as marking points to allow for easy mitre cutting.

Use a hacksaw with 32TPI blade to cut both stainless grate and stainless channel.
NOTE, cut the GRATE AFTER the CHANNEL is ASSEMBLED to ensure the grate fits correctly.

Use Sika 11FC and primer 210 (or equivalent) to seal and adhere the ends and joints

65GAI

After marking where cut is required, cut and join as shown.

Visit slimlinedrain.co.uk

