

ARCHITECTURAL GRATES + DRAINS



65TRG40

Linear Drainage System

Stormtech is the only linear drainage system available with full Greentag and Watermark certification across our complete product range.

Telephone 01483 346460 | Web slimlinedrain.co.uk





ARCHITECTURAL
GRATES + DRAINS



65TRG40

Linear Drainage System



The 65TR40 is a standard style grate featuring a 3mm wire/5mm gap.

The 65TRG40 is a modular drainage kit with stainless steel grate(s), a uPVC drainage channel and fittings.

The grate(s) are manufactured from 316 marine grade stainless steel and the channel and fittings from uPVC.

Please note that our TR grates have a non finished finish.

Kits longer than 3000mm are available on request.

Refer to AS3500 for outlet pipe sizes specific to your installation.

Code 65TRG40

Range 65

Grate Style TR

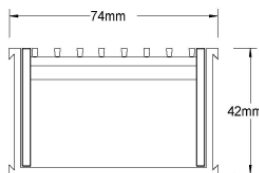
Category Modular Kits

Channel Material uPVC

Steel Grade 316

SPECIFICATIONS + DIMENSIONS

Channel Width	74mm
Channel Depth	42mm
Length(s)	900mm 1000mm 1200mm 1500mm 1800mm 1900mm 2000mm 2200mm 2400mm 2700mm 3000mm
Outlet Size	DN40, DN50



STORMTECH COLOUR FINISHES



Electroplate finishes subject to natural variation with time and local environment. Factors such as pools/surf beaches may require electropolishing. Contact us for suitability.

Grates longer than 1500mm supplied in sections.
Tile Inserts longer than 1200mm supplied in sections.
Channels over 3000mm supplied in sections with joiner.

PRODUCT APPLICATIONS

- | | |
|-----------------------------|----------------------------|
| Bathroom Drainage | Hospitality Drainage |
| Aged / Health Care Drainage | Paved Area Drainage |
| Balcony Drainage | Shower Drainage |
| Commercial Drainage | Multi-Residential Drainage |
| Courtyard / Patio Drainage | Special Needs Drainage |
| Pool and Spa Area Drainage | Threshold Drainage |

Copyright © Stormtech Pty Ltd. Patent 733361. Drawings not to scale, please use dimensions shown.



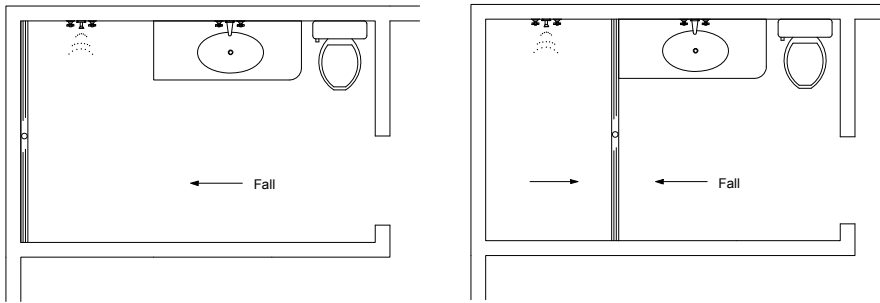
Visit slimlinedrain.co.uk
for tools + inspiration.

Phone 01483 346460

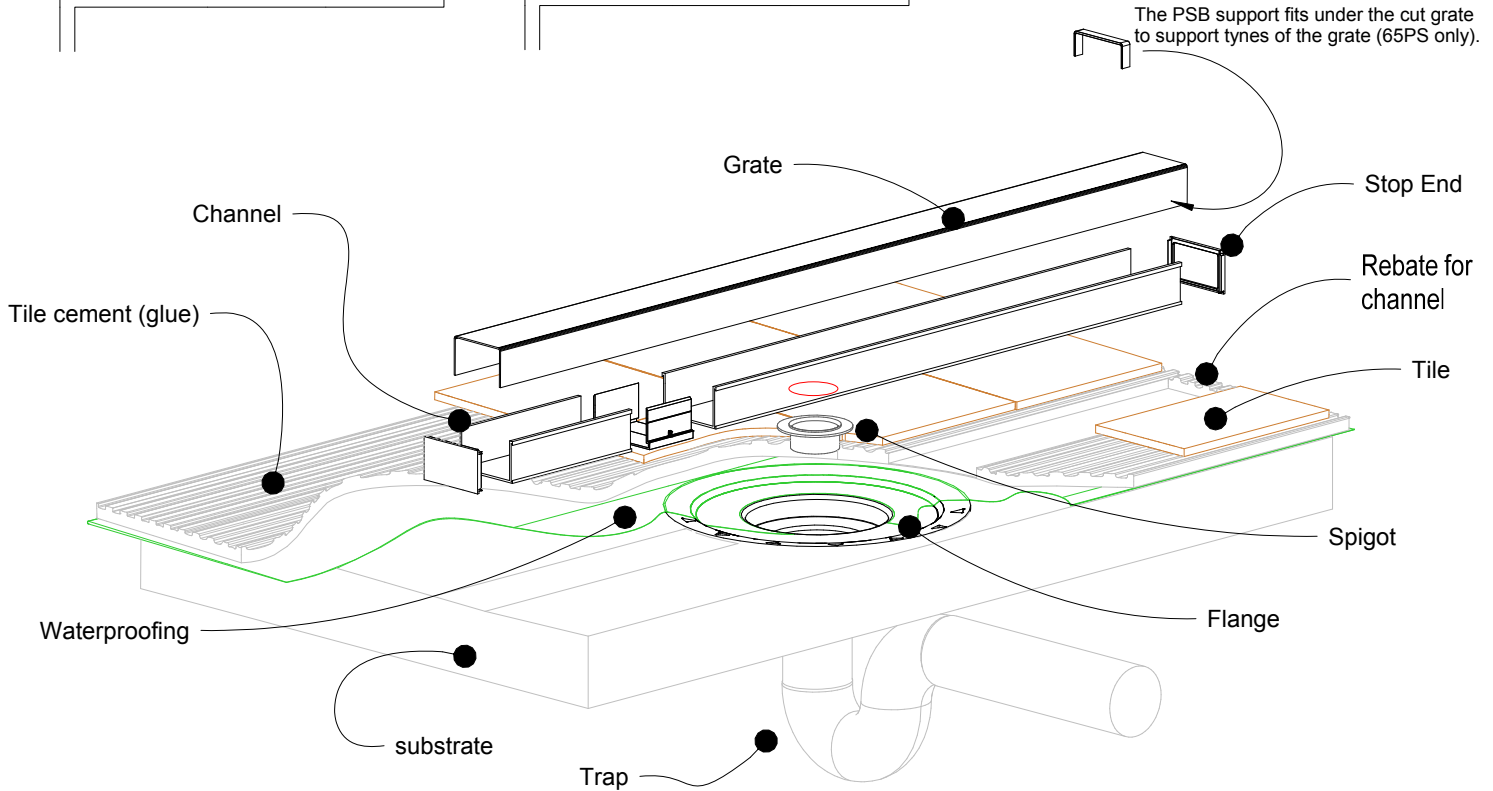
Email technical@slimlinedrain.co.uk

65G40 Bathroom

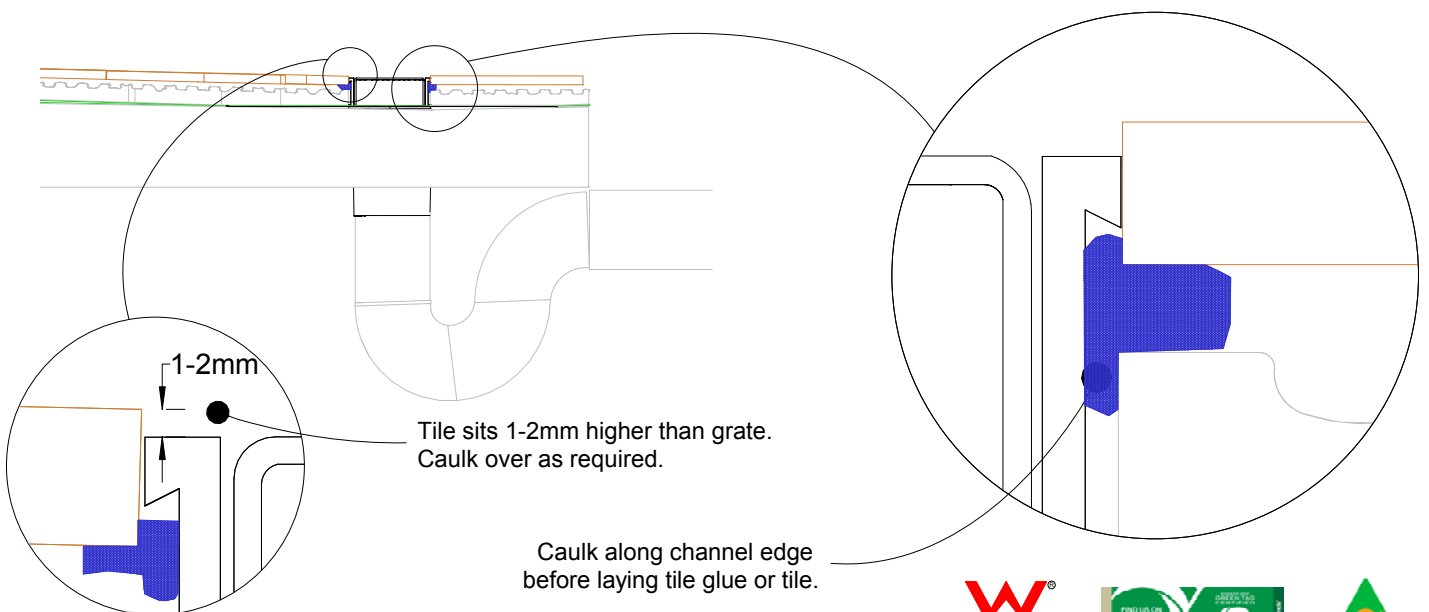
For 65ARG40, 65PHG40, 65PSG40, 65TRG40, and 65TRTiG40.



NOTE, refer to AS3500 for specific outlet pipe sizes related to your specific installation.



NOTE, this method requires the channel system to be ABOVE and SEPARATE from the WATERPROOFING.



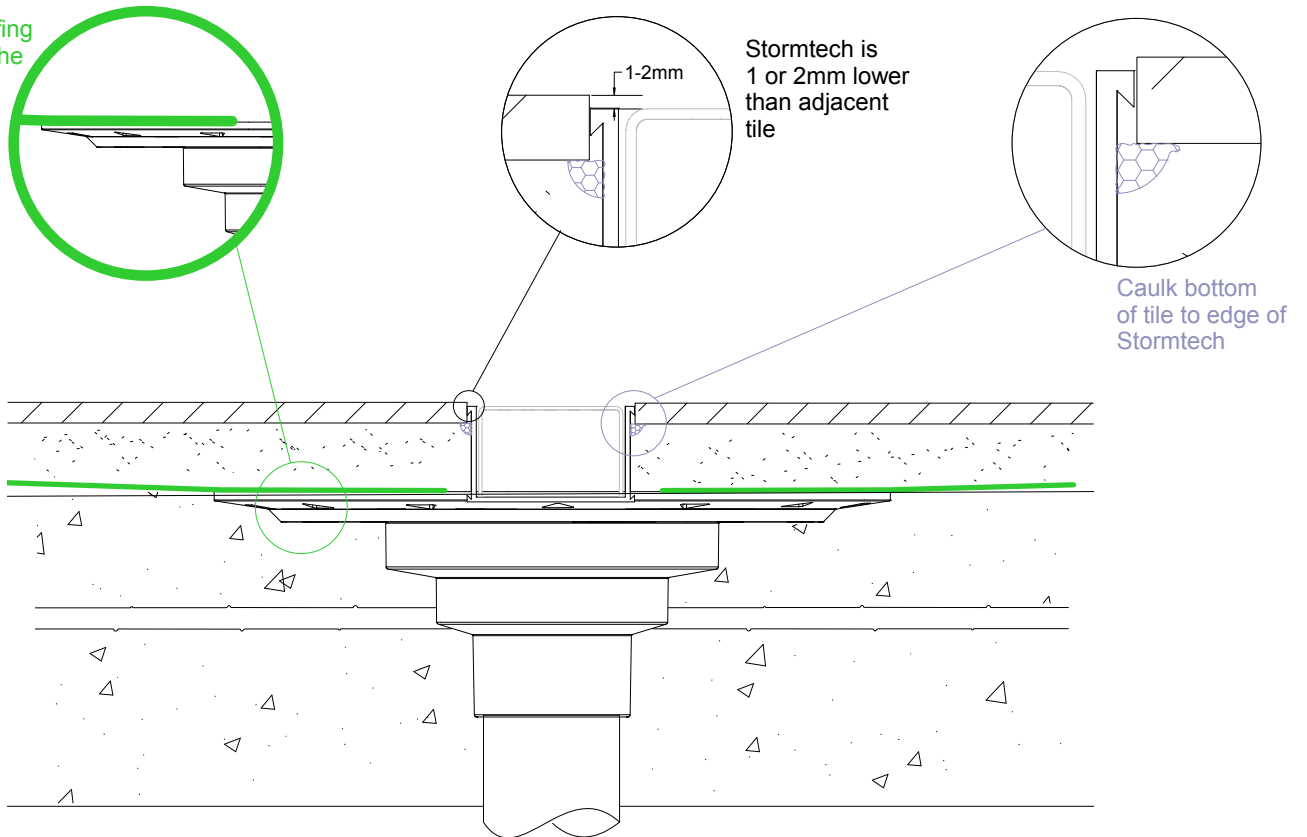
65G40 Concrete Floor or Deck

For 65ARG40, 65PHG40, 65PSG40, 65TRG40, and 65TRTiG40.

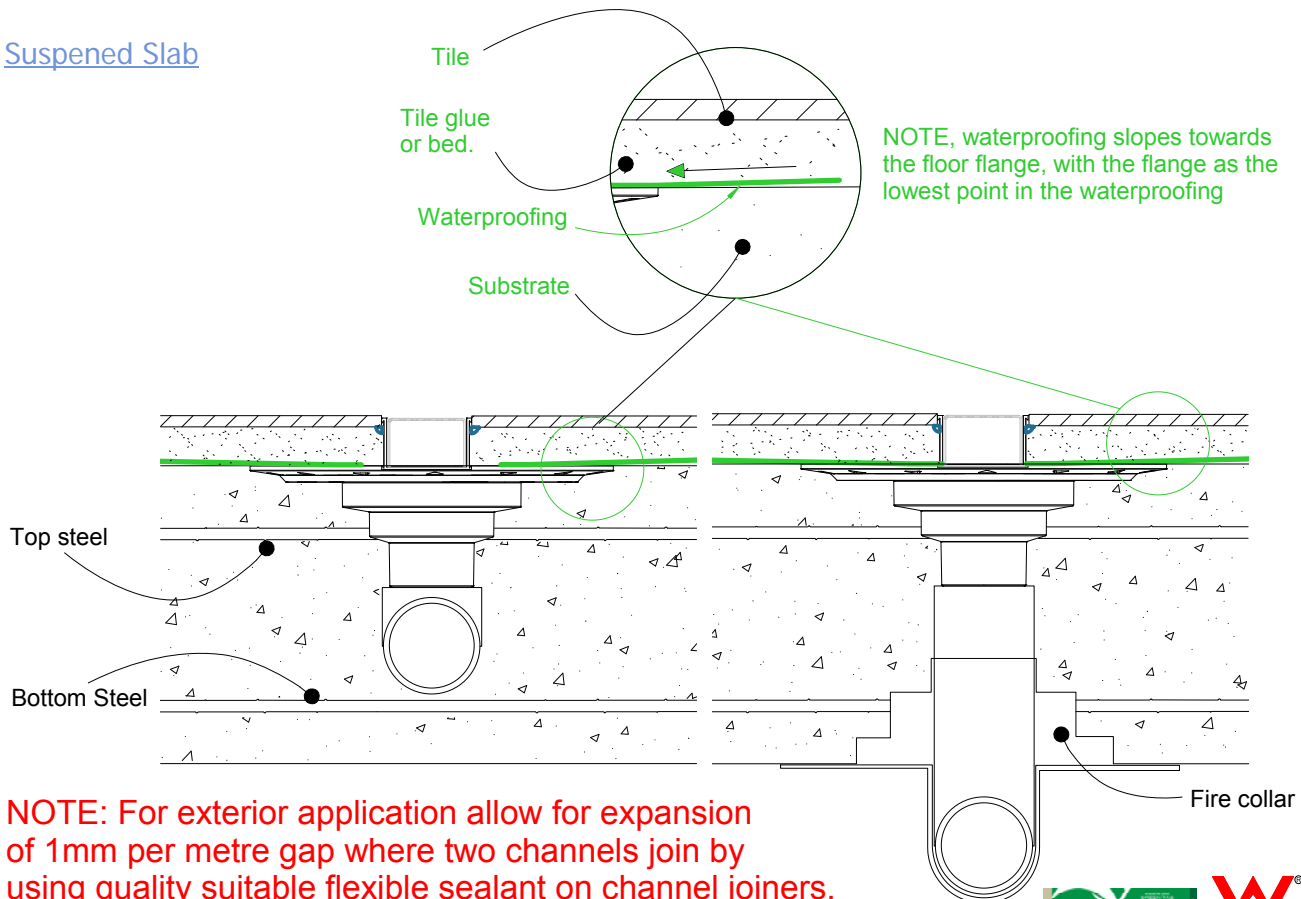


Slab on Ground

Waterproofing is fixed to the floor flange



Suspended Slab



NOTE: For exterior application allow for expansion of 1mm per metre gap where two channels join by using quality suitable flexible sealant on channel joiners. Use PVC solvent cement and primer on ends and outlets.

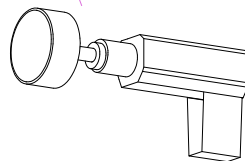
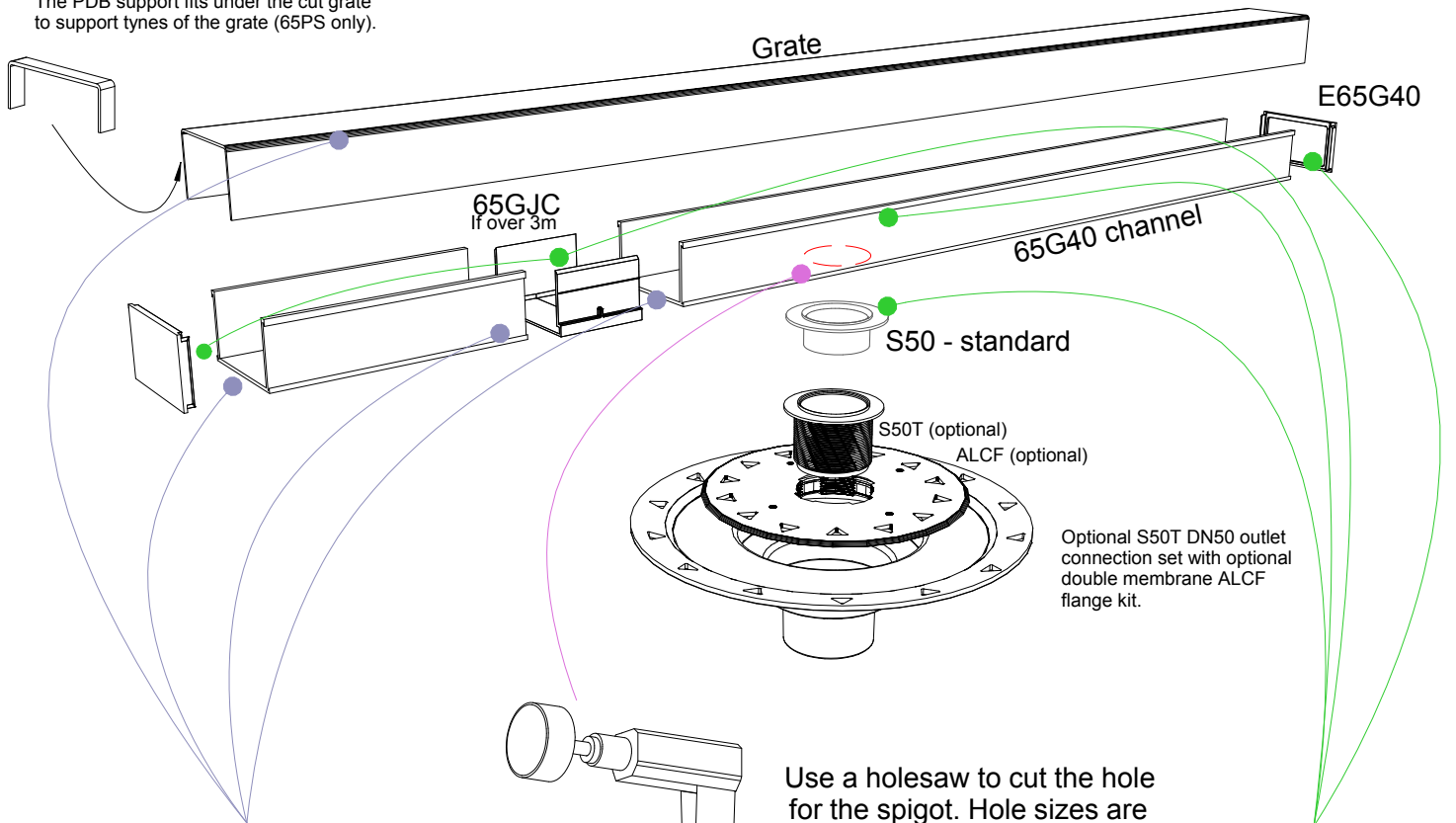


65G40 Assembly

For 65ARG40, 65PHG40, 65PSG40, 65TRG40, and 65TRTiG40.

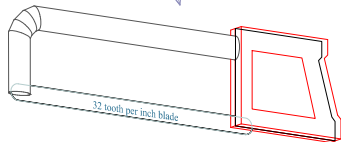


The PDB support fits under the cut grate to support tynes of the grate (65PS only).

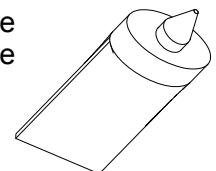


Use a holesaw to cut the hole for the spigot. Hole sizes are per below:

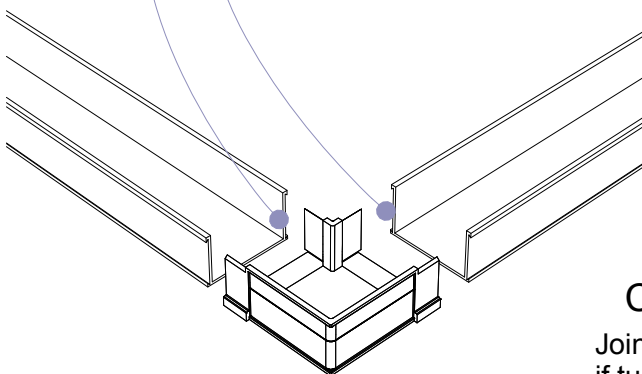
- 51mm holesaw for S50 spigot to 50mm DWV pipe
- 37mm holesaw for S40 spigot to 40mm DWV pipe



Use a hacksaw with 32TPI blade to cut both stainless grate and PVC channel.
NOTE, cut the GRATE AFTER the CHANNEL is ASSEMBLED. The GRATE will be SHORTER to fit INSIDE the channel.

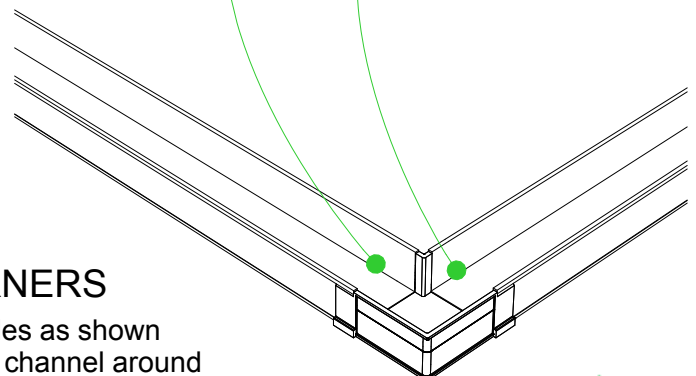


PVC solvent cement the parts together. Use type N clear with clear primer.



CORNERS

Join angles as shown if turning channel around a 90 degree corner.

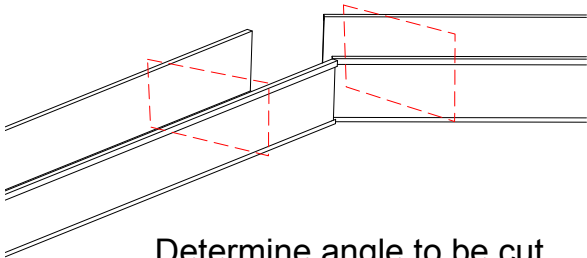


65G40 Off-Set Corners



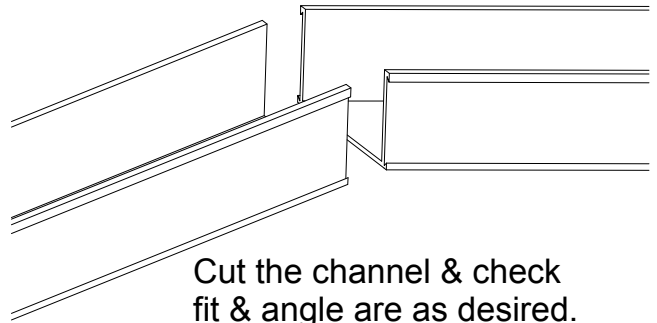
When assembling channel for corners other than 90 degrees, the following fittings and method is suggested.

1



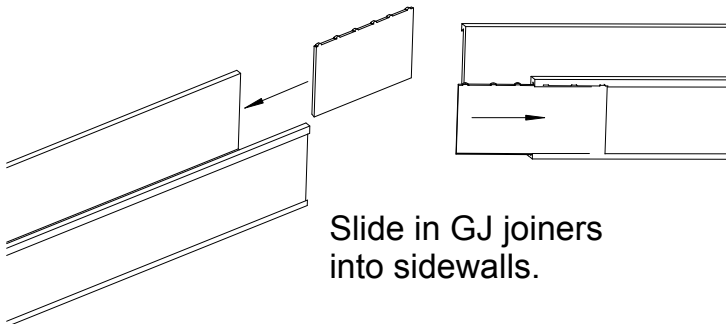
Determine angle to be cut

2



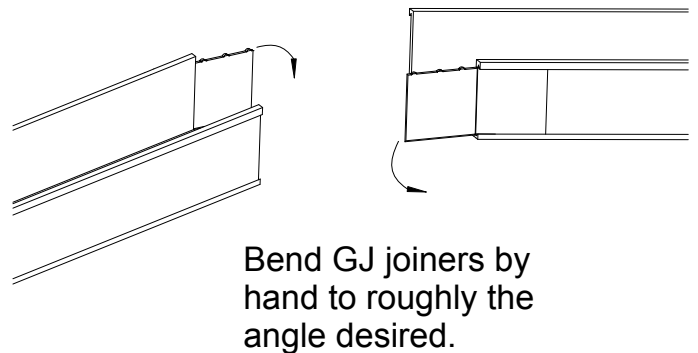
Cut the channel & check fit & angle are as desired.

3



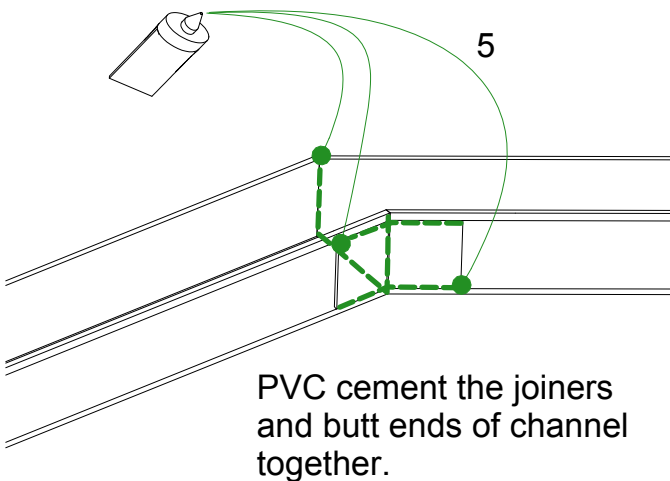
Slide in GJ joiners into sidewalls.

4



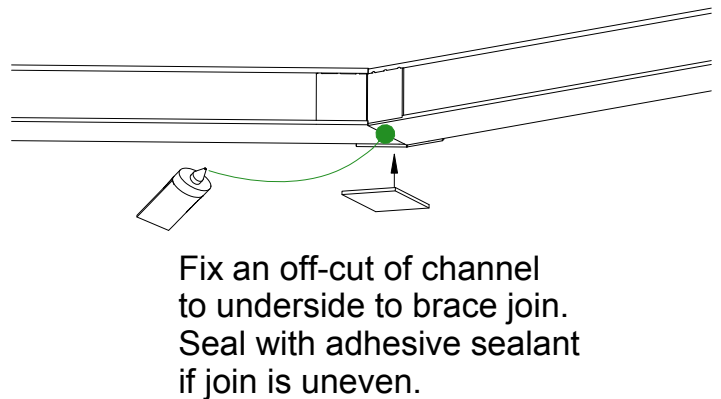
Bend GJ joiners by hand to roughly the angle desired.

5



PVC cement the joiners and butt ends of channel together.

6



Fix an off-cut of channel to underside to brace joint. Seal with adhesive sealant if joint is uneven.

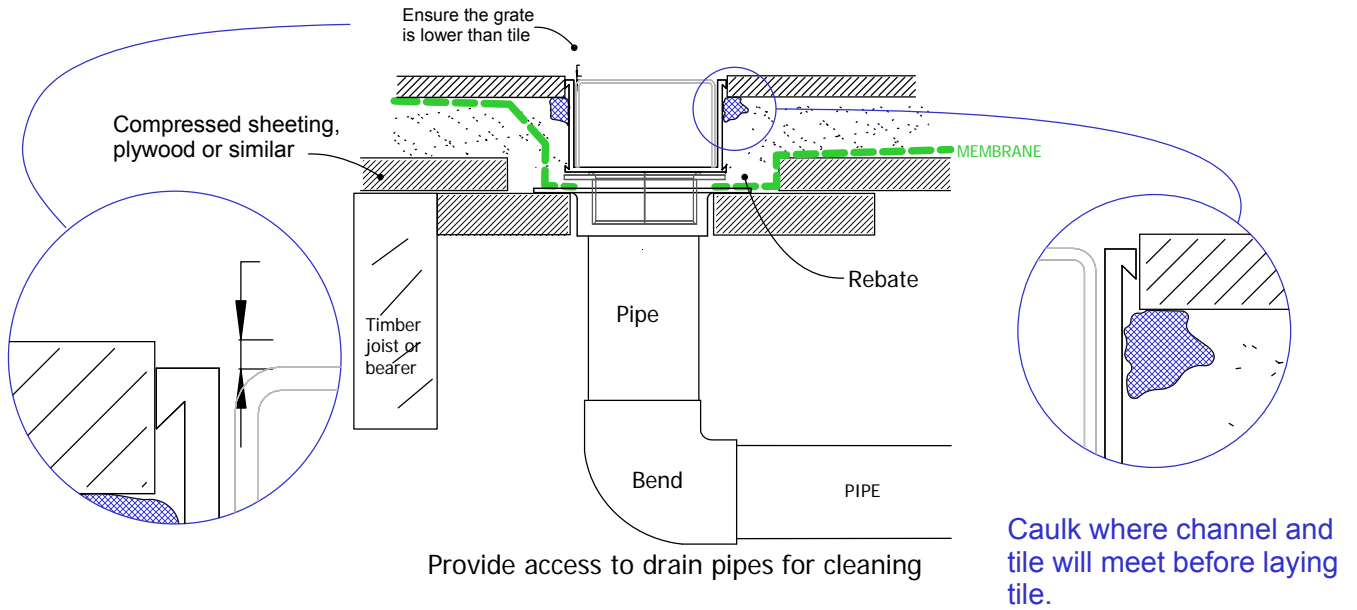


65G40 TIMBER FLOOR/DECK

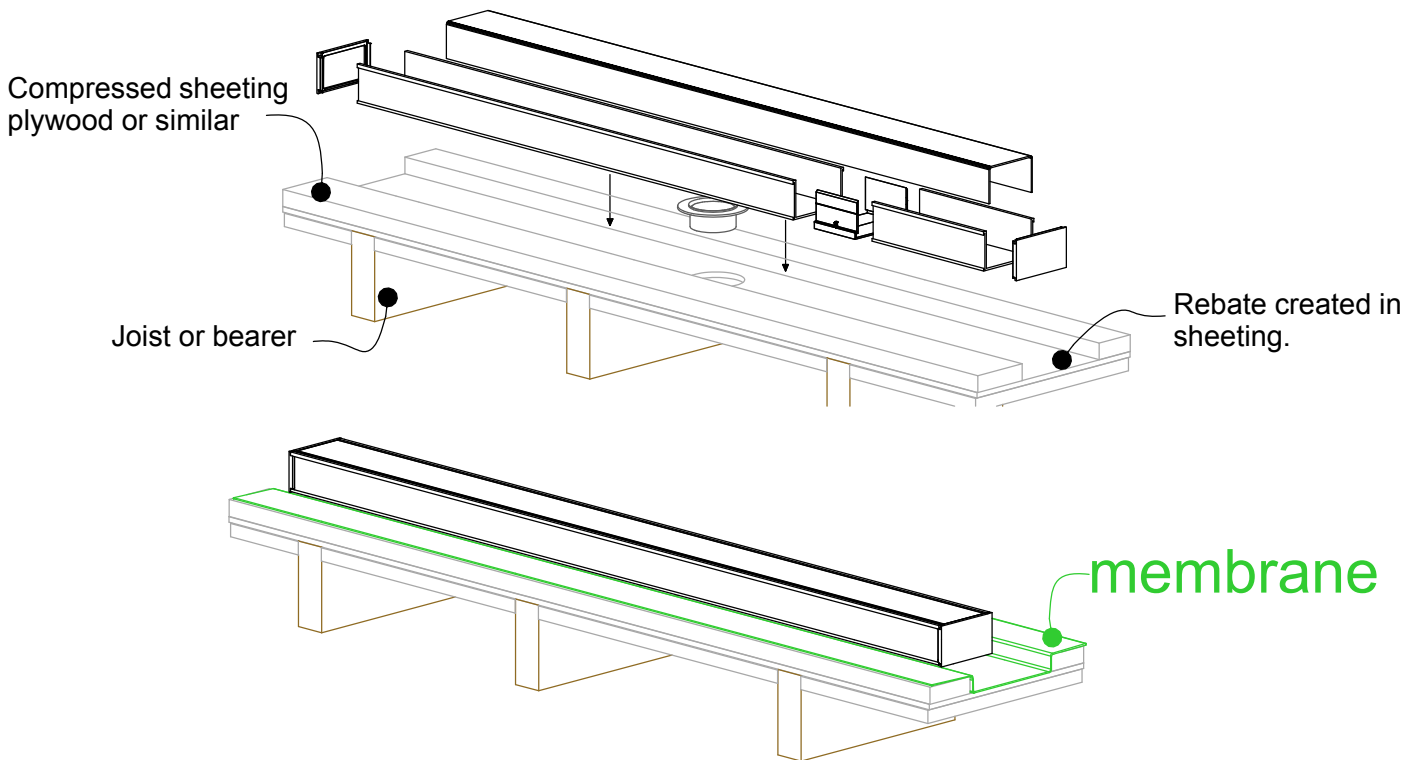
For 65ARG40, 65PHG40, 65PSG40, 65TRG40, and 65TRTiG40.



When 65G40 is running parallel to joist/bearer



When 65G40 is running perpendicular to joist/bearer



NOTE: For exterior application allow for expansion of 1mm per metre by using quality suitable flexible sealant on channel joints. Use PVC solvent cement and primer for ends and outlets.

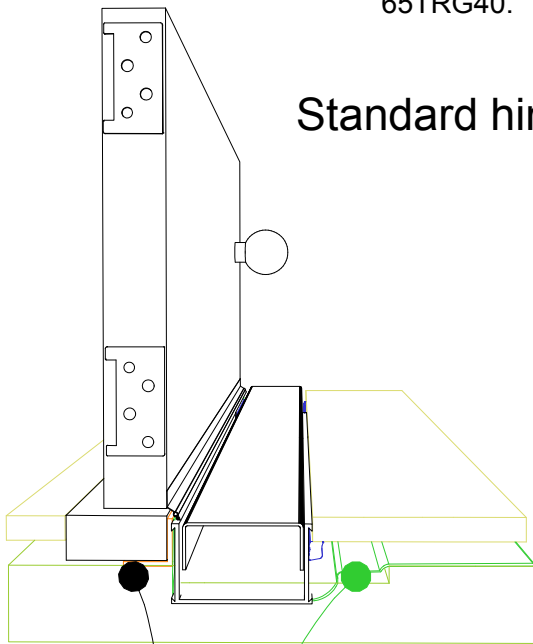


65G40 Threshold installation suggestion

For 65ARG40, 65PHG40, 65PSG40,
65TRG40.

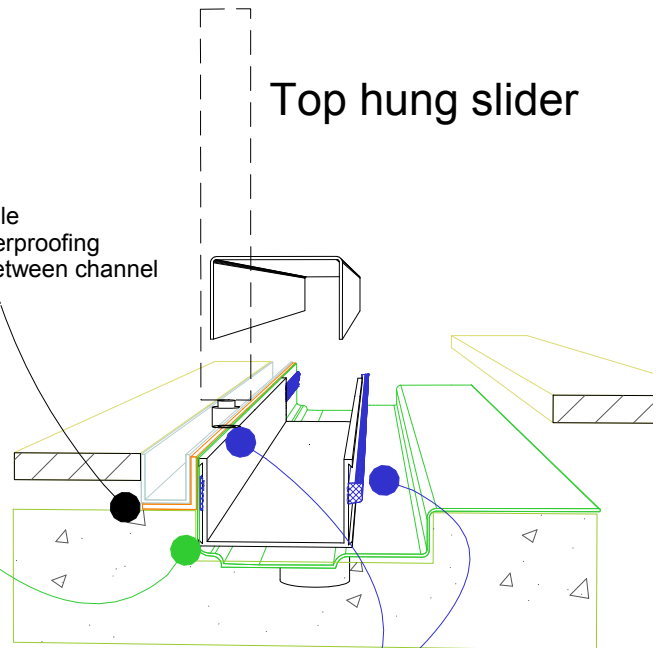


Standard hinged door



Aluminium angle
to support waterproofing
and junction between channel
and door sil.

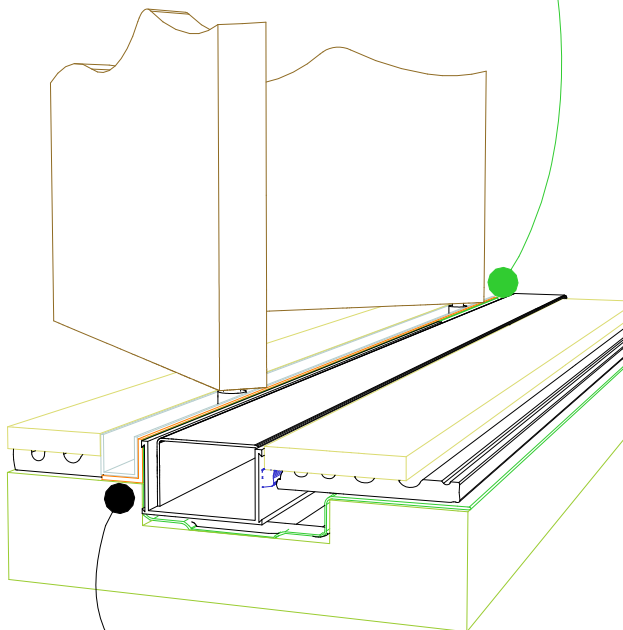
Top hung slider



Aluminium angle
to support waterproofing
and junction between channel
and door track.

Waterproofing

Bi-fold door



Aluminium angle
to support waterproofing
and junction between channel
and door track.

For all types of threshold
installation ensure both sides
of the channel are sealed
before laying tile.

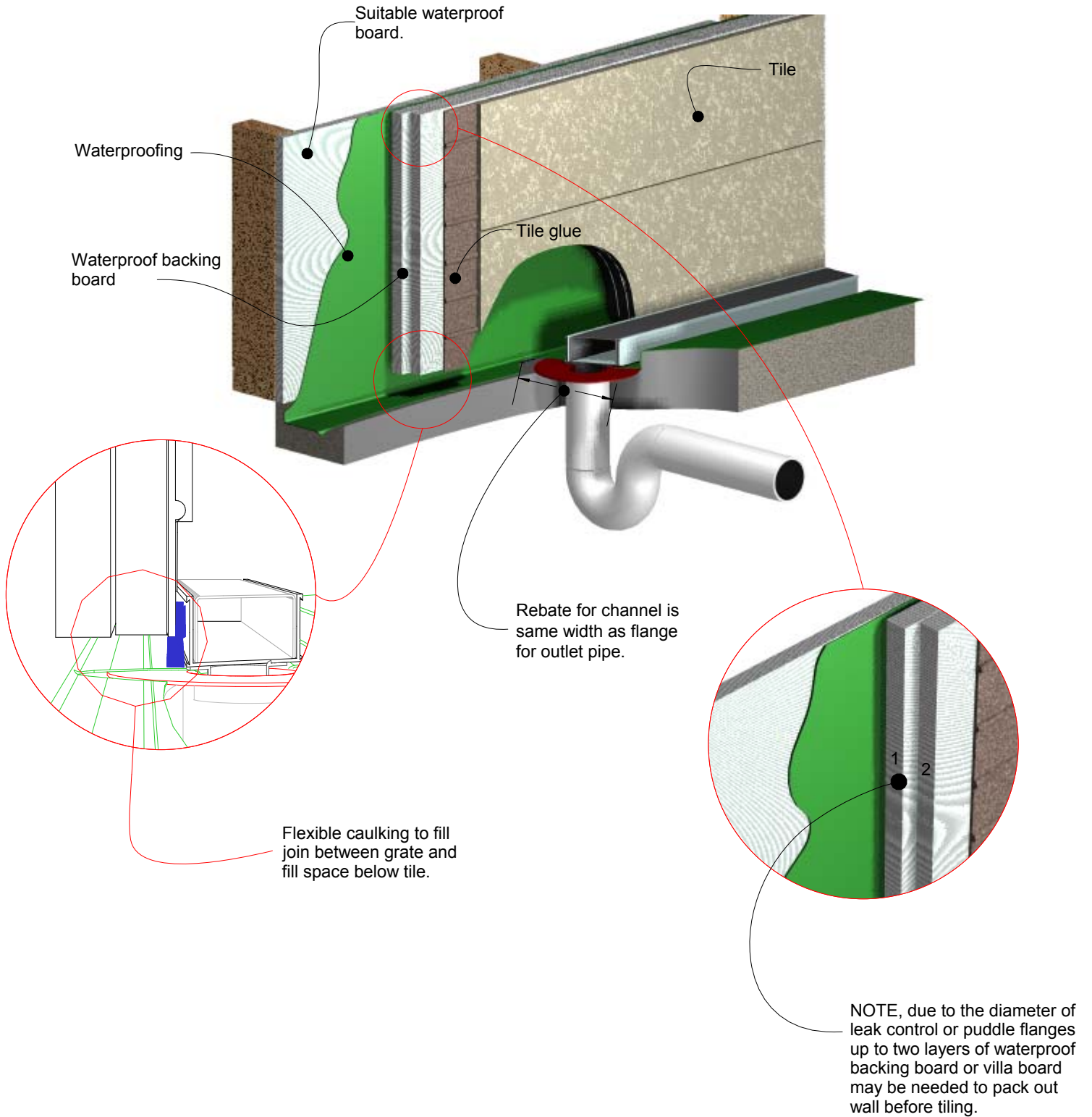
**NOTE, ALWAYS ensure the
waterproofing is completed
before laying the Stormtech.**

NOTE, ensure weather strip
is used on the appropriate
side of the door to ensure
drafts and moisture are
minimised.



65G40 Against Wall

For 65ARG40, 65PHG40, 65PSG40, 65TRG40, and 65TRTiG40.



Visit slimlinedrain.co.uk

