

ARCHITECTURAL GRATES + DRAINS



38ARi40MTL

Linear Drainage System

Stormtech is the only linear drainage system available with full Greentag and Watermark certification across our complete product range.

Telephone 01483 346460 | Web slimlinedrain.co.uk





ARCHITECTURAL
GRATES + DRAINS



38ARi40MTL

Linear Drainage System



The 38ARi40 is a premium architectural grate design featuring a 2mm wire/2.5mm gap.

Manufactured from 316 marine grade the 38AR is 38mm wide and 40mm deep. All stainless steel drainage unit made to specified length with specified outlet position.

Refer to AS3500 for outlet pipe sizes specific to your installation.

Code 38ARi40MTL

Range 38

Grate Style AR

Category Made-to-Length

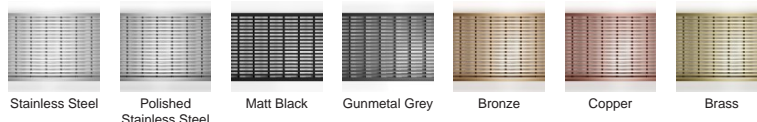
Channel Material Stainless Steel

Steel Grade 316

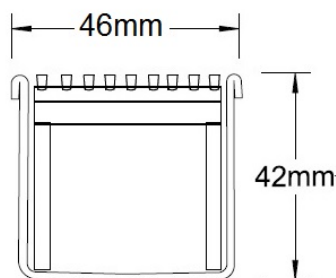
SPECIFICATIONS + DIMENSIONS

Channel Width	46mm
Channel Depth	42mm
Length(s)	As Required
Outlet Size	DN40

STORMTECH COLOUR FINISHES



Electroplate finishes subject to natural variation with time and local environment.



Grates longer than 1500mm supplied in sections.
Tile Inserts longer than 1200mm supplied in sections.
Channels over 3000mm supplied in sections with joiner.

PRODUCT APPLICATIONS

- Bathroom Drainage
- Aged / Health Care Drainage
- Balcony Drainage
- Commercial Drainage
- Courtyard / Patio Drainage
- Pool and Spa Area Drainage
- Hospitality Drainage
- Paved Area Drainage
- Shower Drainage
- Multi-Residential Drainage
- Special Needs Drainage
- Threshold Drainage

Copyright © Stormtech Pty Ltd. Patent 733361. Drawings not to scale, please use dimensions shown.



Visit slimlinedrain.co.uk
for tools + inspiration.

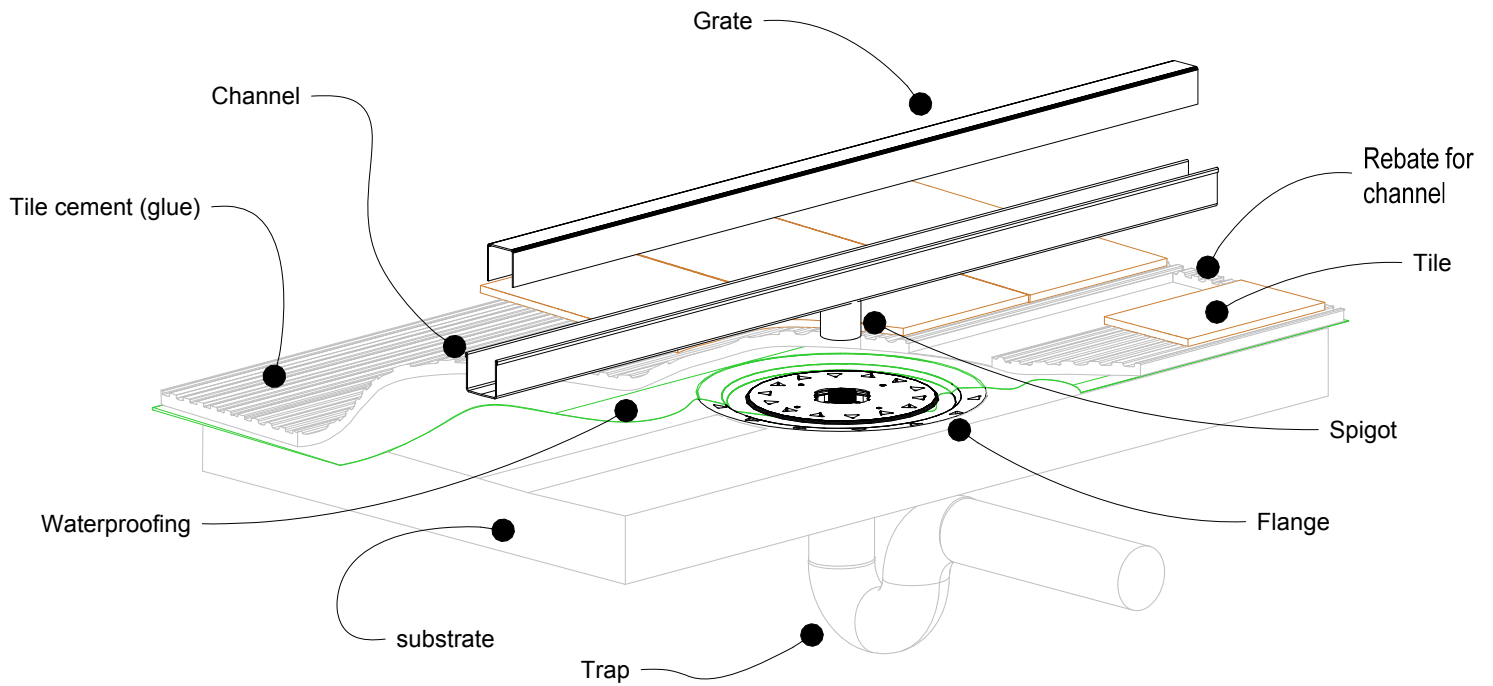
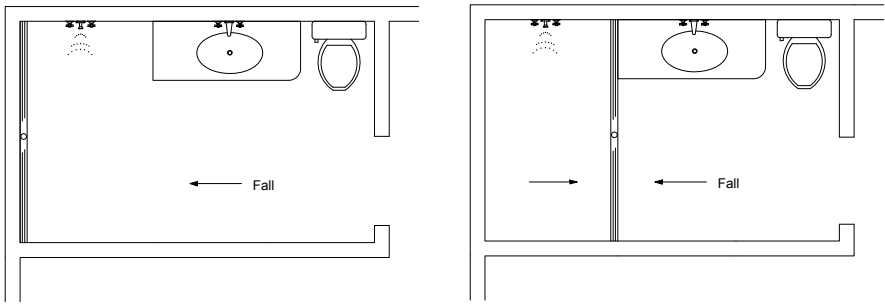
Phone 01483 346460

Email technical@slimlinedrain.co.uk

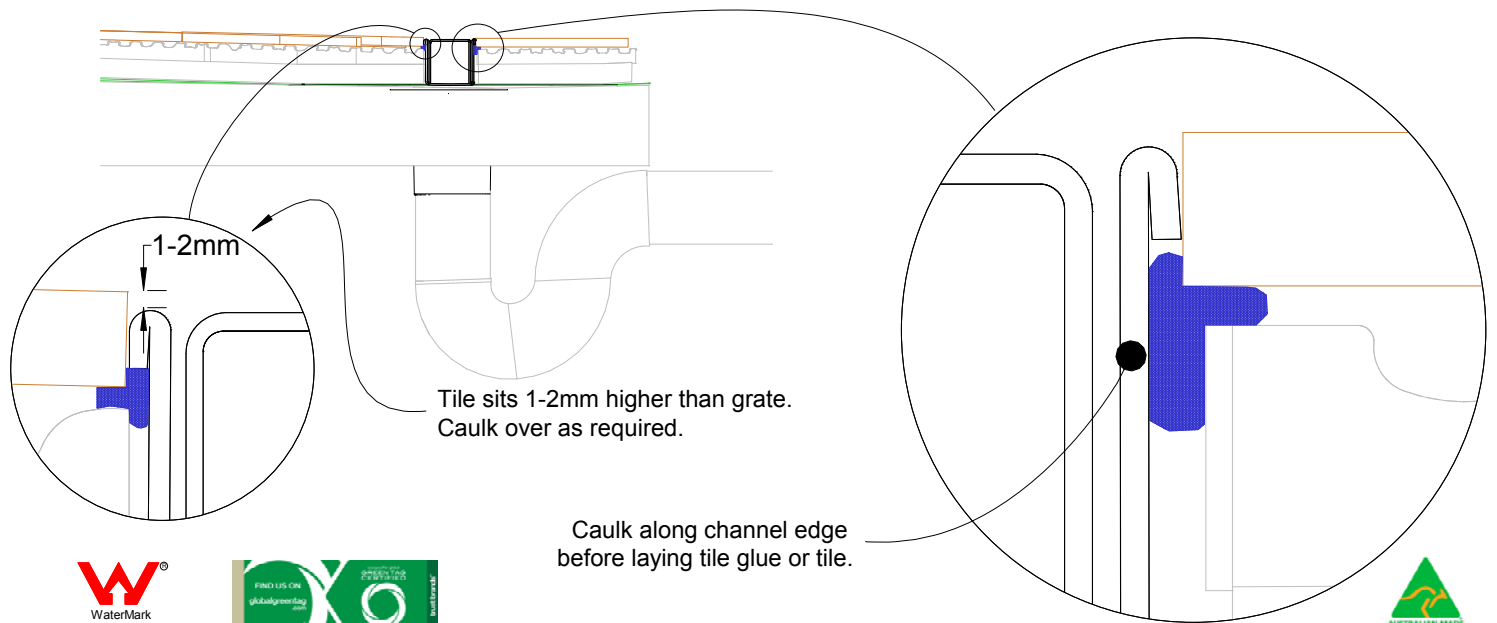
38MTL Bathroom DN 40 outlet.

For 38ARi40MTL, 38PHi40MTL, and 38PSi40MTL

NOTE, refer to AS3500 for specific outlet pipe sizes related to your specific installation.



NOTE, this method requires the channel system to be above and separate from the waterproofing



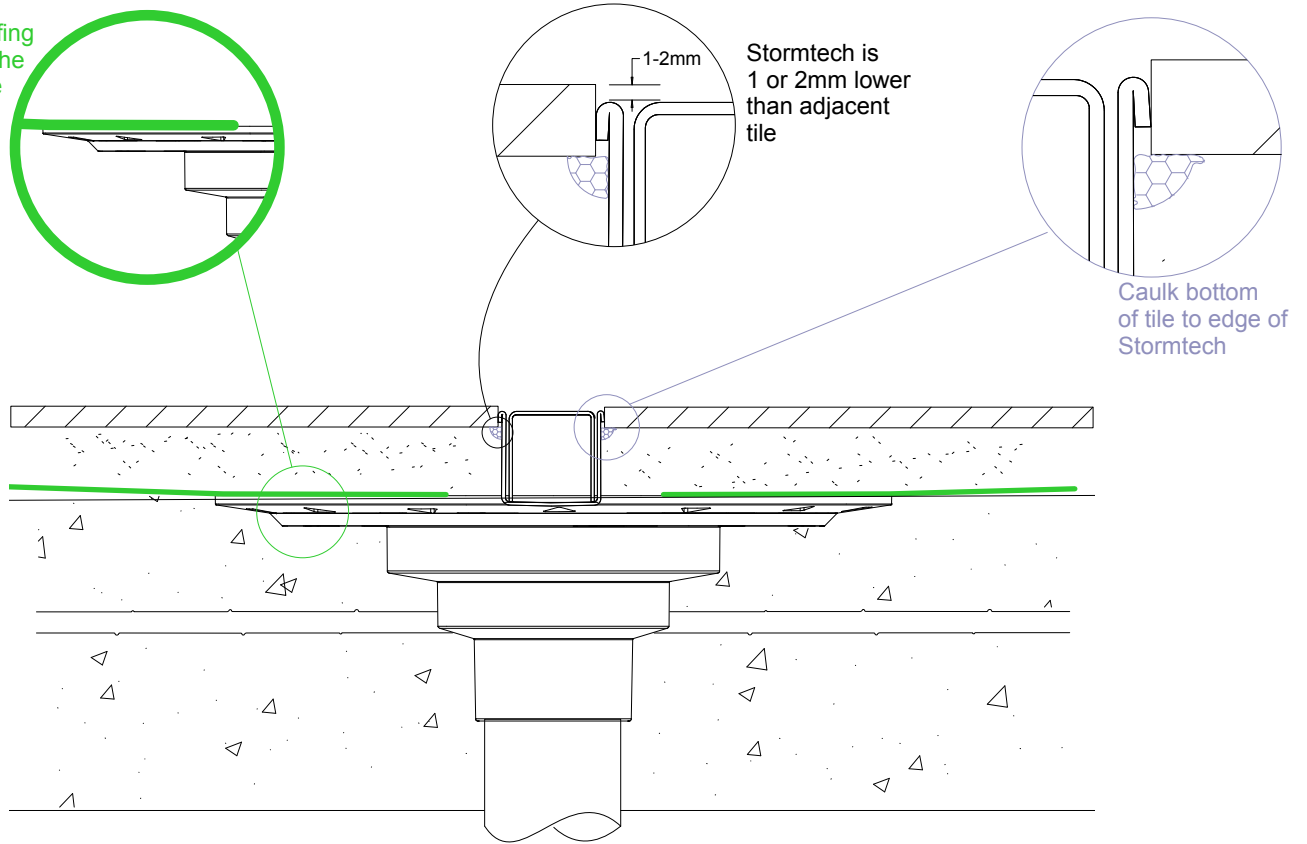
38MTL Concrete Floor or Deck

For 38ARi409MTL, 38PSi40MTL and 38PHi40MTL

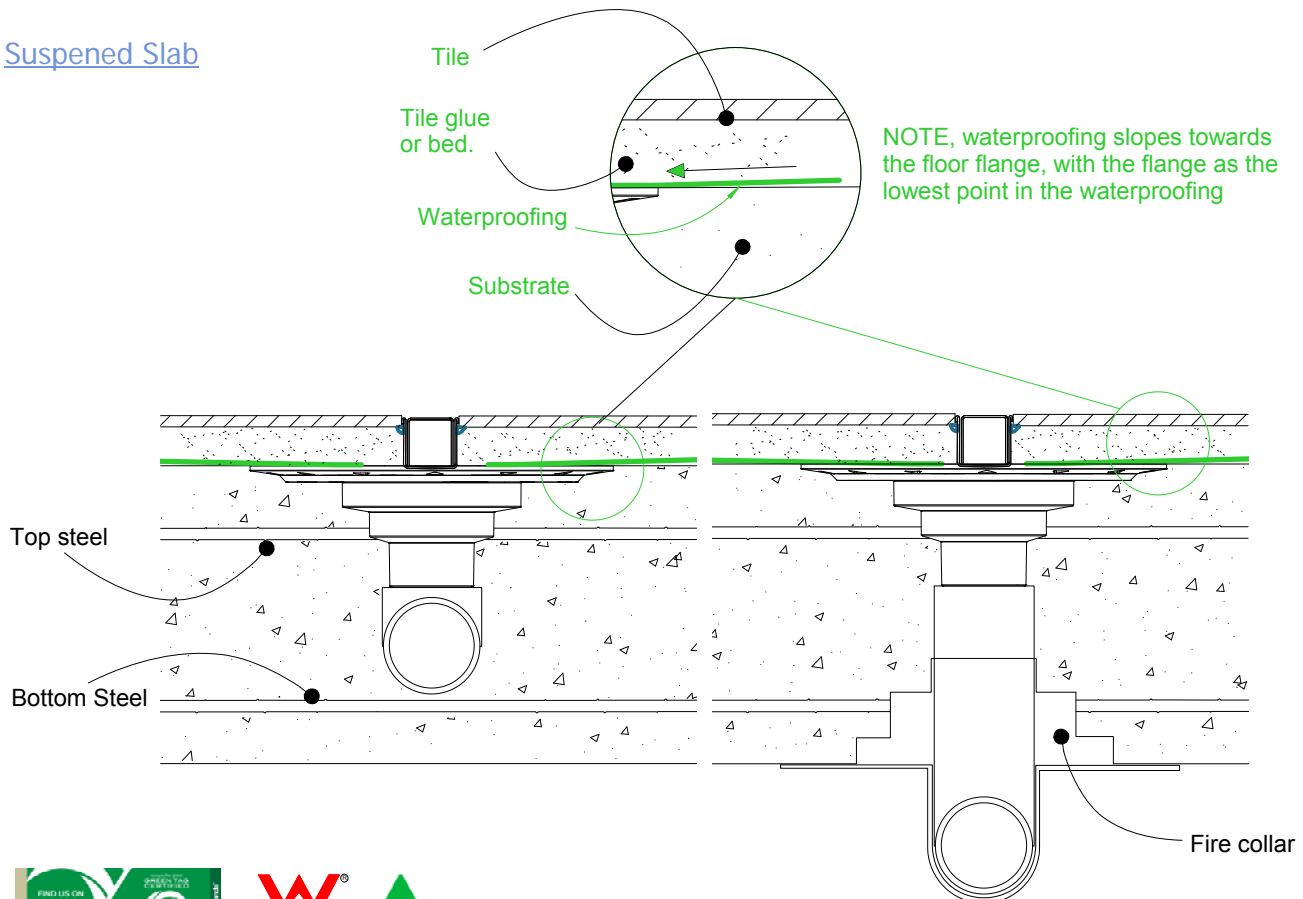


Slab on Ground

Waterproofing is fixed to the floor flange



Suspended Slab

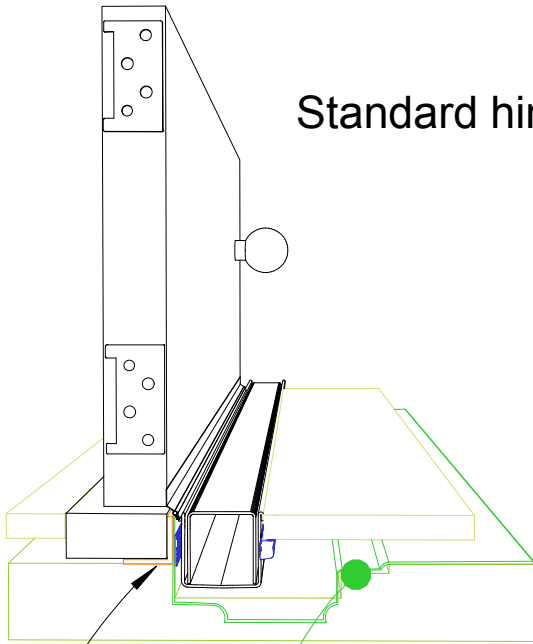


38MTL Threshold installation suggestion

For 38ARi409MTL, 38PSi40MTL and 38PHi40MTL

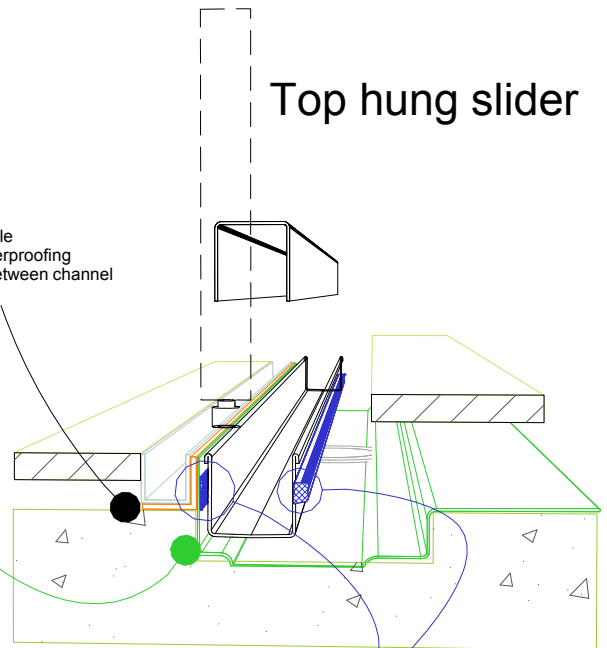


Standard hinged door



Aluminium angle to support waterproofing and junction between channel and door sil.

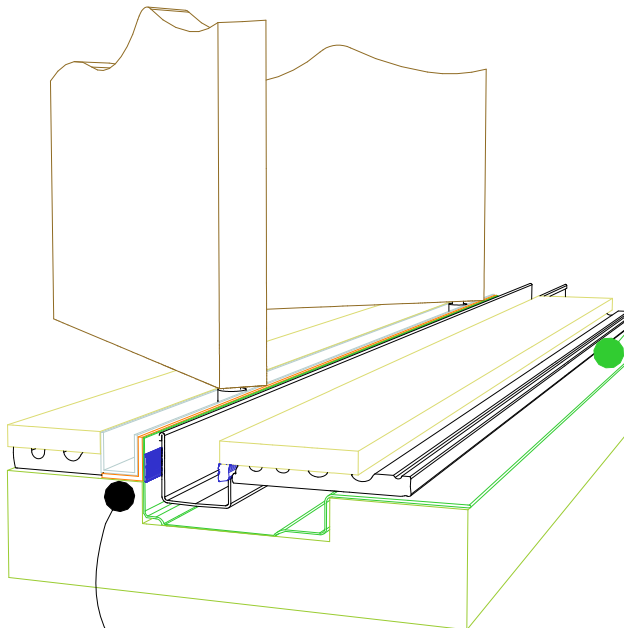
Top hung slider



Aluminium angle to support waterproofing and junction between channel and door track.

Waterproofing

Bi-fold door



Aluminium angle to support waterproofing and junction between channel and door track.

For all types of threshold installation ensure both sides of the channel are sealed before laying tile.

NOTE, ALWAYS ensure the waterproofing is completed before laying the Stormtech.

NOTE, ensure weather stip is used on the appropriate side of the door to ensure drafts and moisture are minimised.

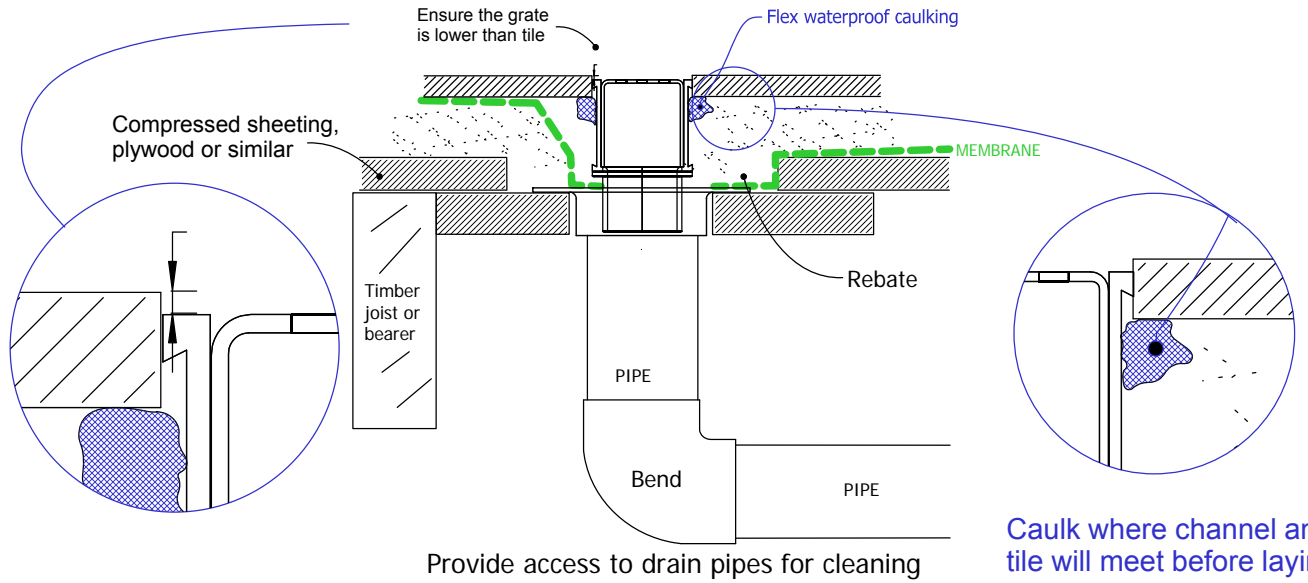


38MTL TIMBER FLOOR/DECK

For 38ARi409MTL, 38PSi40MTL and 38PHi40MTL



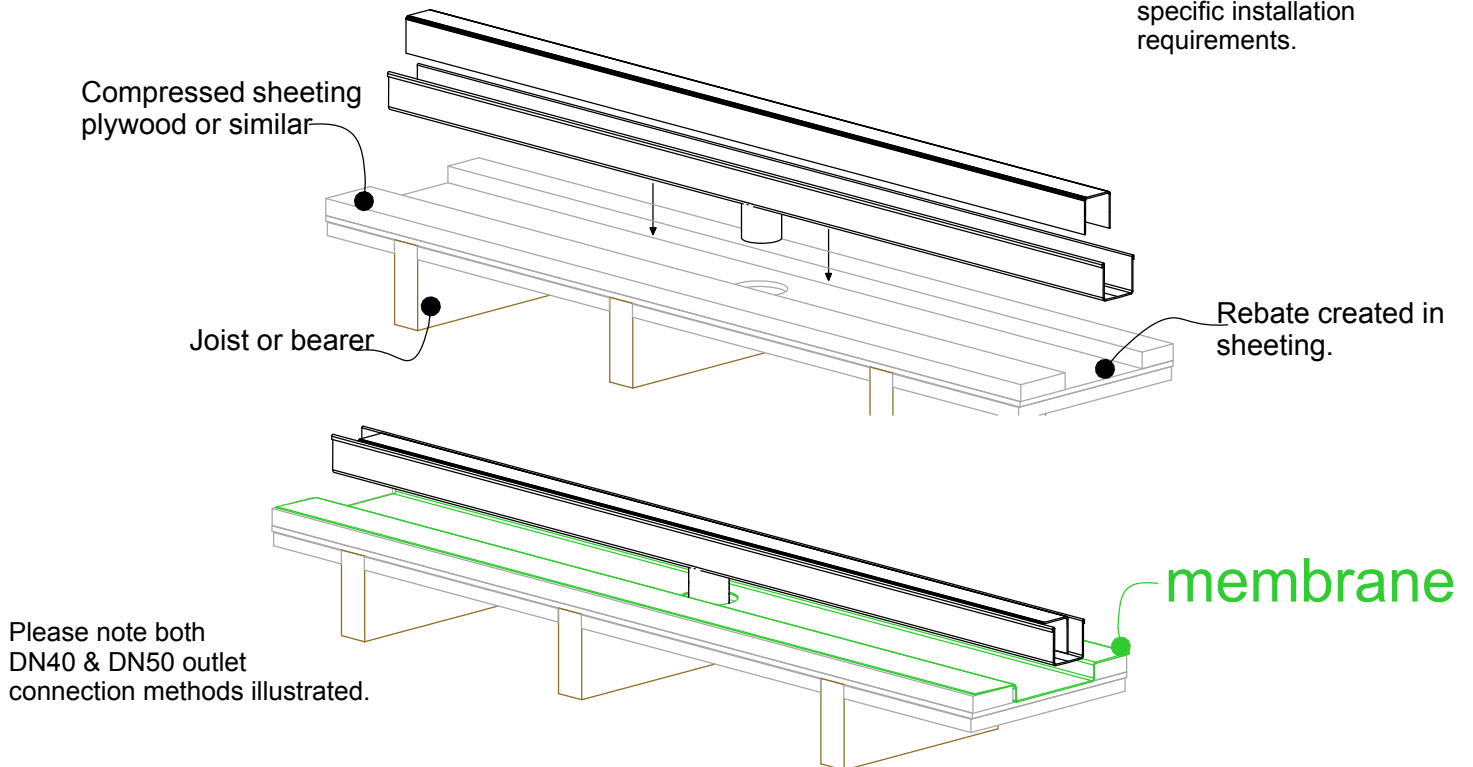
When 38MTL is running parallel to joist/bearer



Caulk where channel and tile will meet before laying tile.

When 38MTL is running perpendicular to joist/bearer

Be sure to check with local relevant authorities for your specific installation requirements.

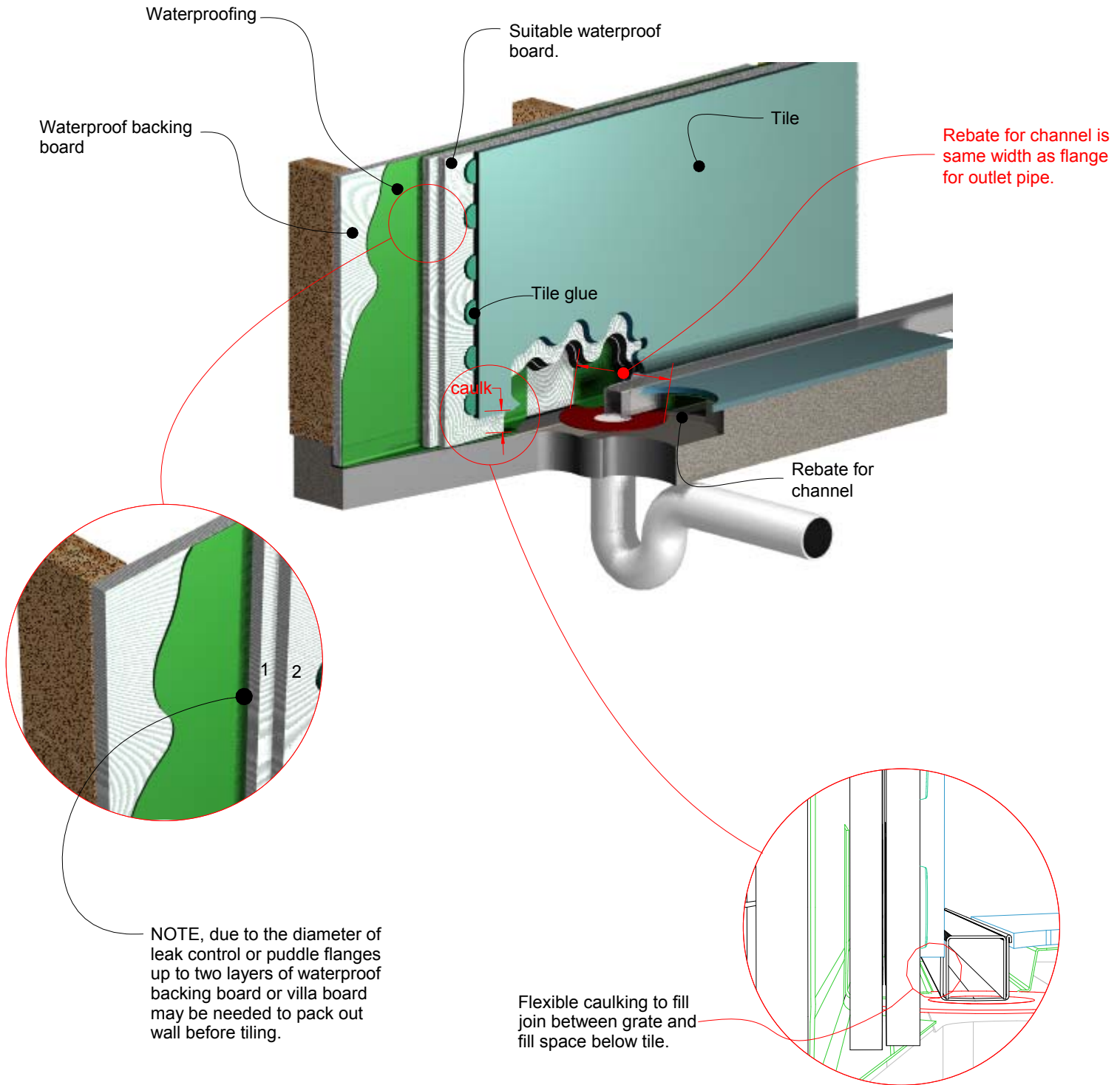


NOTE: For exterior application allow for expansion of 1mm per metre by using quality suitable flexible sealant on channel joins. Use PVC solvent cement and primer for ends and outlets.



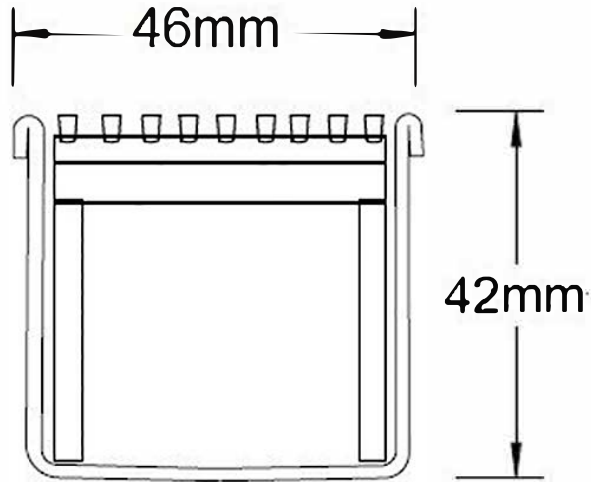
38MTL Against Wall

For 38ARI409MTL, 38PSi40MTL and 38PHi40MTL

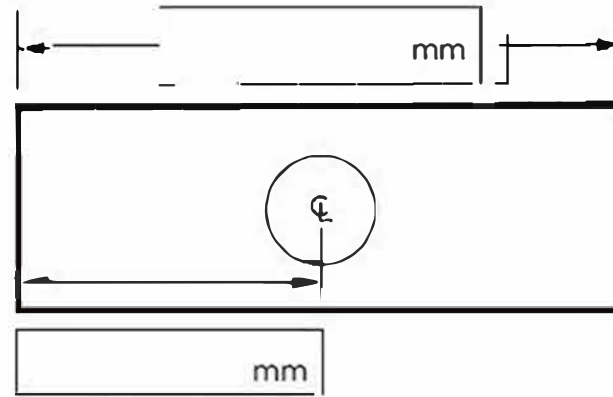




38ARi40MTL



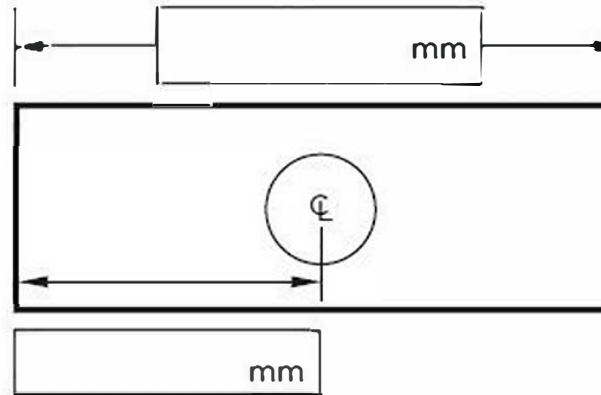
Drain 1



Outlet Size

- 25mm
- 32mm

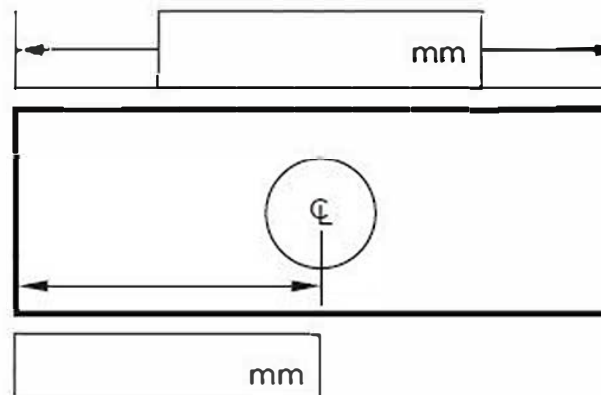
Drain 2



Outlet Size

- 25mm
- 32mm

Drain 3



Outlet Size

- 25mm
- 32mm



WaterMark

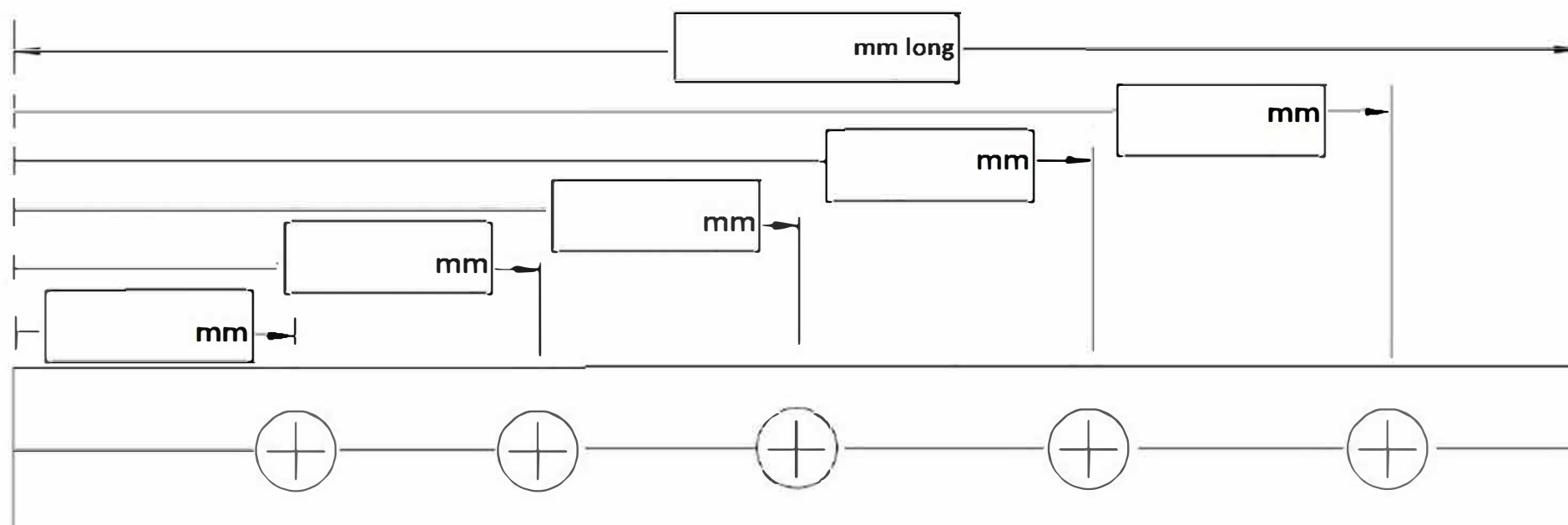
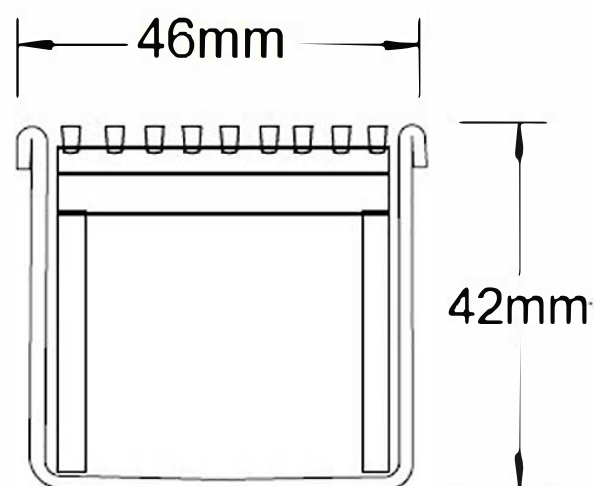
Level 2 Licence WMKT 21249

Standard Grate Size

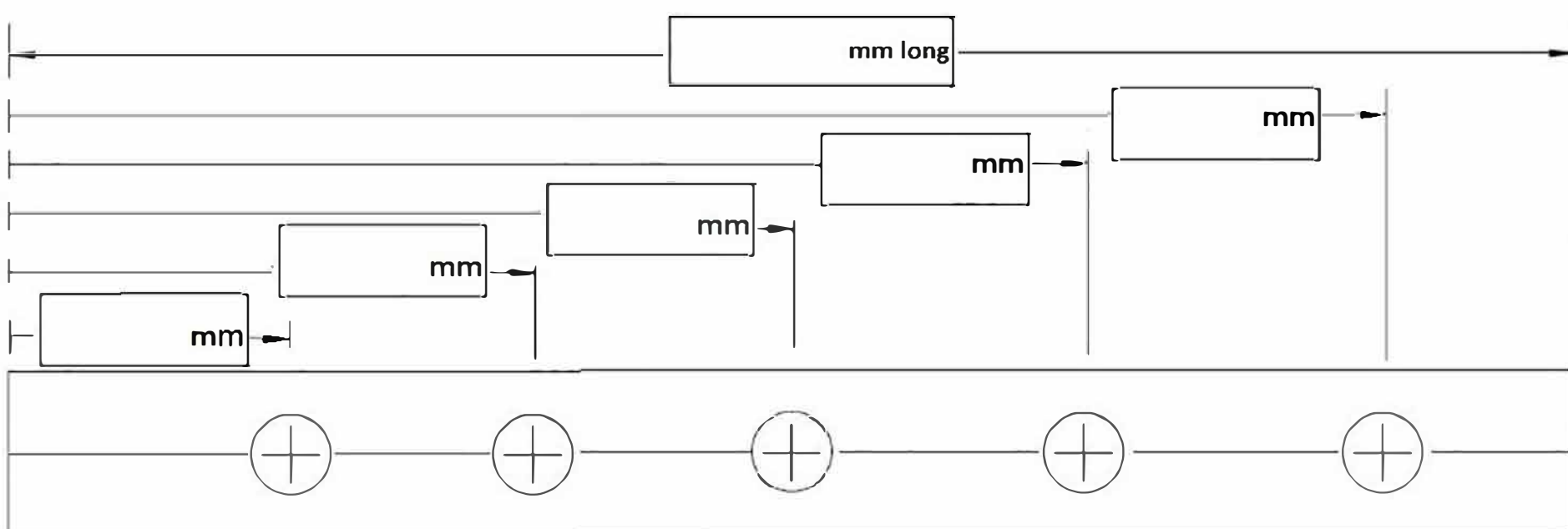
Made-to-Length Order / Quote Form



38ARi40MTL



- Outlet Size**
- 25mm
 - 32mm



- Outlet Size**
- 25mm
 - 32mm

Full Name

Company Name

Telephone

Email Address

Order Number

Stormtech Quote Number

Signature

Please Note
 See AS3500 standard & local regulator for specific outlet/drain requirements.
 Outlet Size must be smaller than selected Range.
 Marc Newson (MND) grate style not available with Profiles 2 or 4.
 Stainless Steel Grade is 316 unless specified.
 Lengths under 750mm charged at 0.75m rate.

Visit slimlinedrain.co.uk

