

ARCHITECTURAL GRATES + DRAINS



SQ100AR

Stormtech is the only linear drainage system available with full Greentag and Watermark certification across our complete product range.

Telephone 1300 653 403 | Web stormtech.com.au





ARCHITECTURAL
GRATES + DRAINS



SQ100AR



Square Floor waste with premium architectural grate

The SQ Range of floor waste units allow the integration of a standard floor waste with Stormtech linear drainage.

Floor waste measures 103mm x 103mm.

Available with 76mm, 44mm or 38mm outlet.

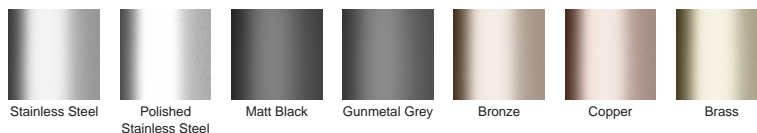
Code SQ100AR
Range Square
Grate Style AR
Category Fixed-Length Units
Channel Material Stainless Steel
Steel Grade 316

SPECIFICATIONS + DIMENSIONS

Channel Width	103mm
Channel Depth	22mm
Length(s)	103mm
Outlet Size	DN40, DN50, DN80

Grates longer than 1500mm supplied in sections.
Tile Inserts longer than 1200mm supplied in sections.
Channels over 3000mm supplied in sections with joiner.
+/-2mm tolerance on dimensions.

STORMTECH COLOUR FINISHES



Electroplate finishes subject to natural variation with time and local environment. Factors such as pools/surf beaches may require electropolishing. Contact us for suitability.

PRODUCT APPLICATIONS

Bathroom Drainage
Balcony Drainage
Commercial Drainage
Courtyard / Patio Drainage
Hospitality Drainage
Shower Drainage

Wet Area Drainage

Copyright © Stormtech Pty Ltd. Patent 733361. Drawings not to scale, please use dimensions shown.



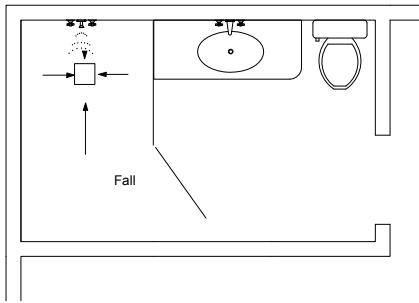
Visit stormtech.com.au
for tools + inspiration.

Phone **1300 653 403**

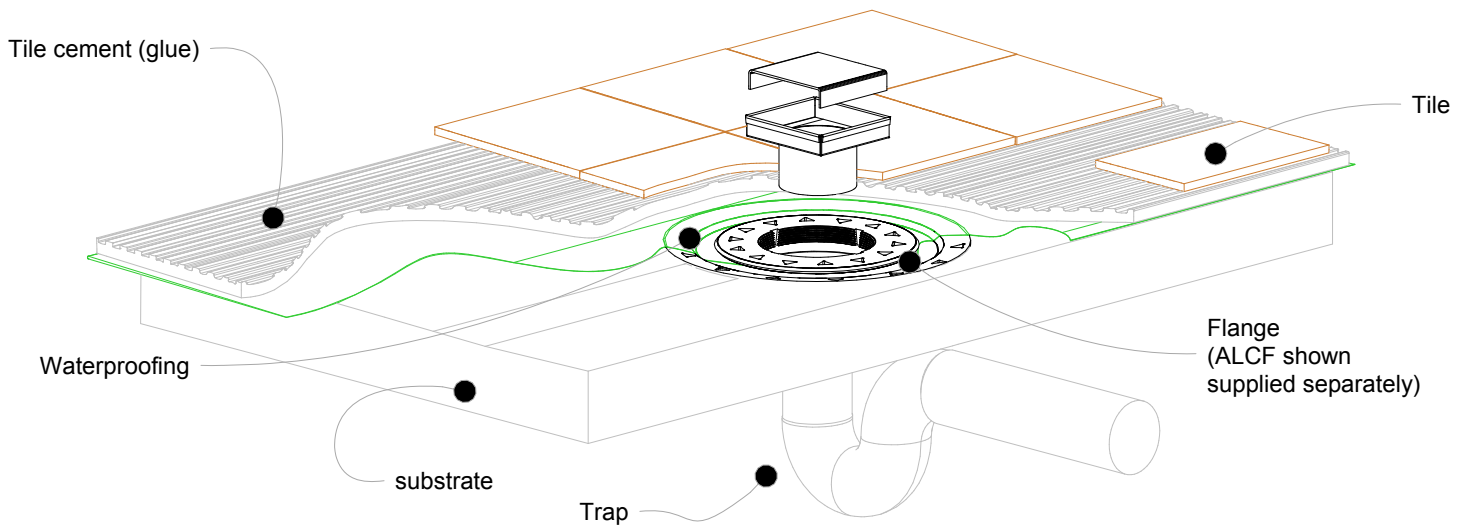
Email info@stormtech.com.au

SQ100 Bathroom

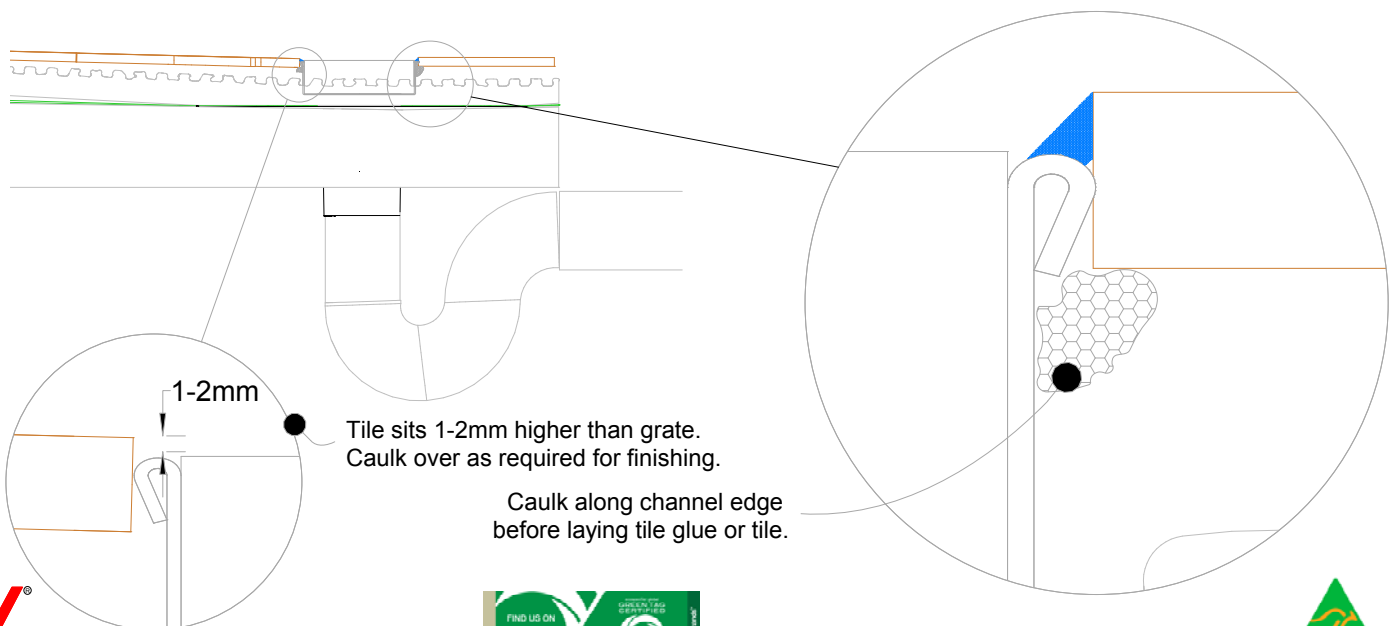
For SQ100AR, SQ100MND, SQ100PH
SQ100PS, and SQ100TR



NOTE, refer to AS3500 for specific outlet pipe sizes related to your specific installation.



NOTE, this method requires the channel system to be above and separate from the waterproofing



Visit stormtech.com.au



StormtechTM

22 Norfolk Avenue, South Nowra, NSW 2541 Australia
Phone 1300 653 403 Email info@stormtech.com.au



trust brands[®]