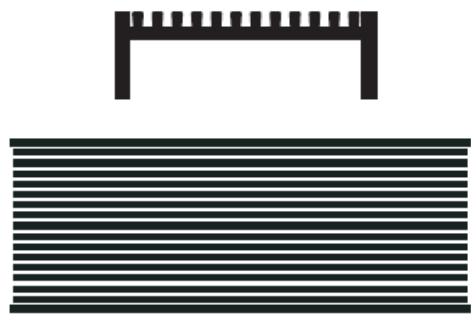


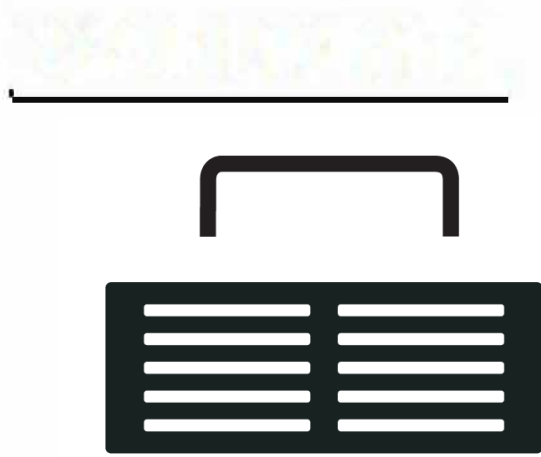


# Standard Grate Size

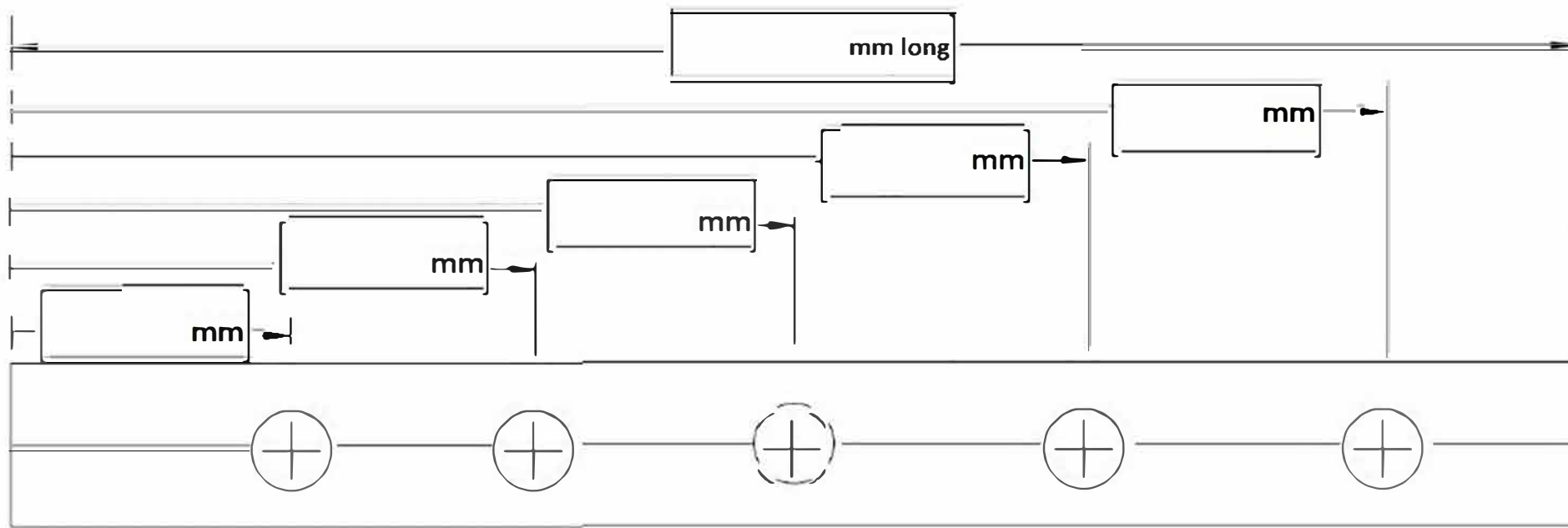
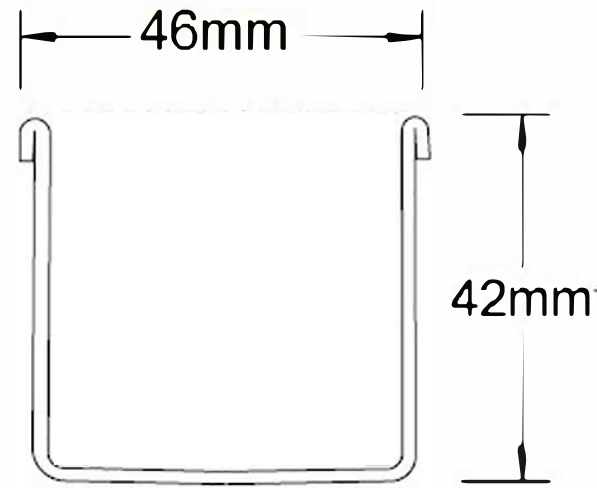
## Made-to-Length Order / Quote Form 38x40 Grate and Channel order - Multiple outlets



**AR Architectural**  
2mm wire  
2.5mm gap

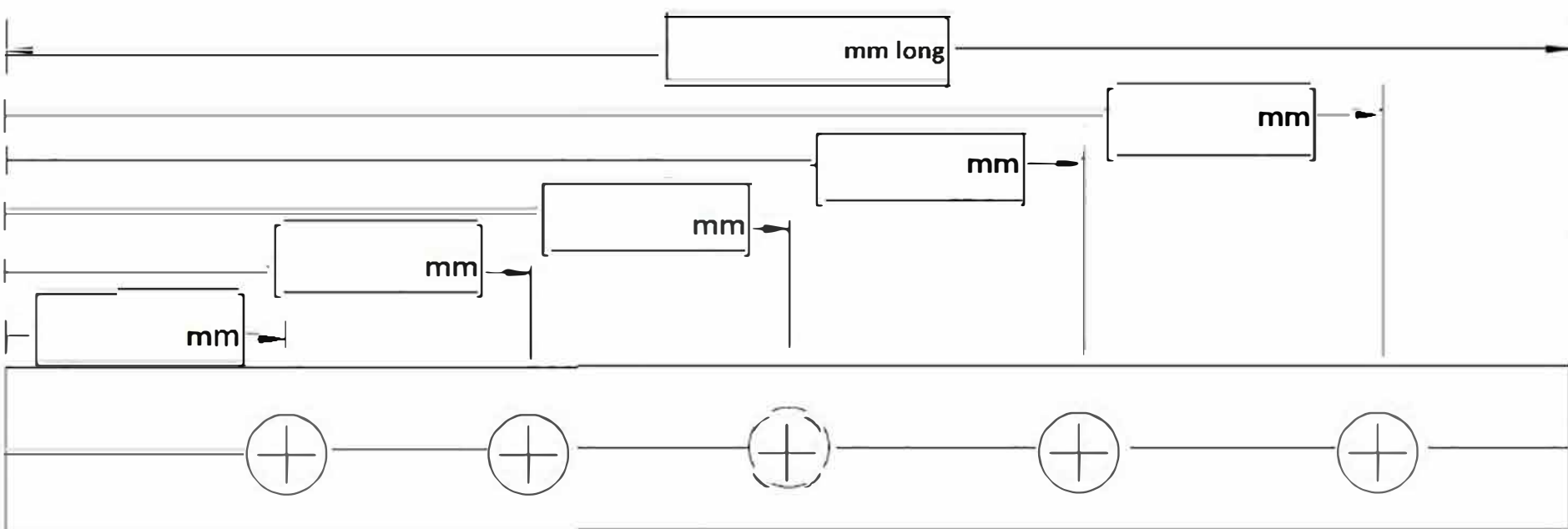


**PS Punched Slot**



Outlet Size

- 25mm
- 32mm



Outlet Size

- 25mm
- 32mm

Full Name

Email Address

Company Name

Telephone

Signature

**Please Note**  
See AS3500 standard & local regulator for specific outlet/drain requirements. Outlet Size must be smaller than selected Range.  
Marc Newson (MND) grate style not available with Profiles 2 or 4.  
Stainless Steel Grade is 316 unless specified.  
Lengths under 750mm charged at 0.75m rate.  
Orders received after 11am are processed as next working day.