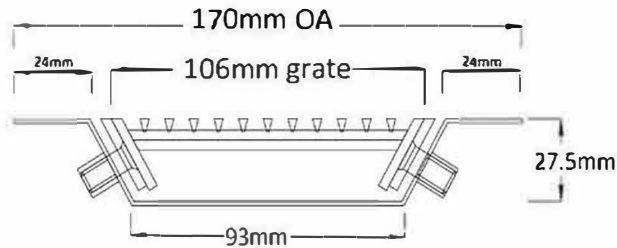


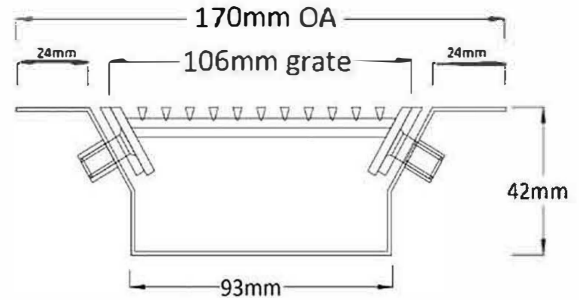


# Vinyl Clamp (VC100-25 and VC100-42)

Order / Quote Form

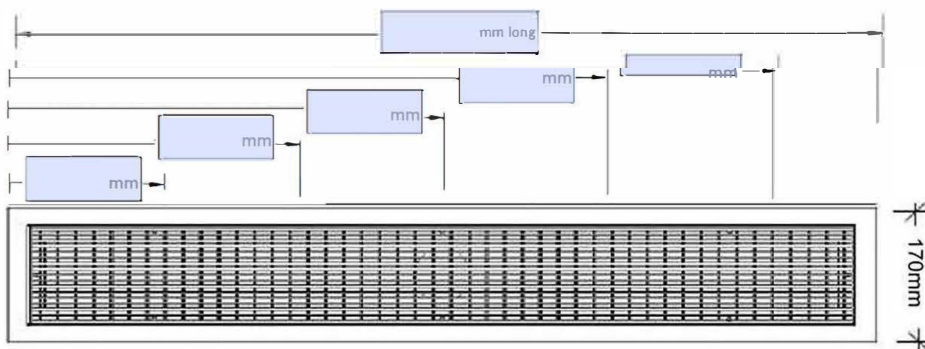


**Profile 1**  
VC100-25



**Profile 2**  
VC100-42

**Specify Size, Outlet and Profile Required**



**Profile Required**

1  2

**Outlet Size**

38mm  44mm  51mm  
 63mm  76mm  89mm

**Please Note**

- Refer to both AS3500 standard, and your local regulator for any specific outlet or drain requirements.
- Stainless Steel Grade is 316 marine grade
- The o/a length is from end of flange to end of flange
- The outlet position is taken from the the end of the flange to the centre of the outlet

Full Name

Company Name

Telephone

Phone 01483 346 460

Email [technical@slimlinedrain.co.uk](mailto:technical@slimlinedrain.co.uk)

Email Address

Order Number

Stormtech Quote Number

Signature