

ARCHITECTURAL GRATES + DRAINS



# 65PSi25MTL

## Linear Drainage System

Stormtech is the only linear drainage system available with full Greentag and Watermark certification across our complete product range.

Telephone 01483 346460 | Web [slimlinedrain.co.uk](http://slimlinedrain.co.uk)





ARCHITECTURAL  
GRATES + DRAINS



# 65PSi25MTL

## Linear Drainage System



All stainless steel drainage unit made to specified length with specified outlet position.

The 65PS25 is a Punched Slot grate design.

Manufactured from 316 marine grade the 65PS25 is 65mm wide and 25mm deep.

Refer to AS3500 for outlet pipe sizes specific to your installation.

**Code** 65PSi25MTL

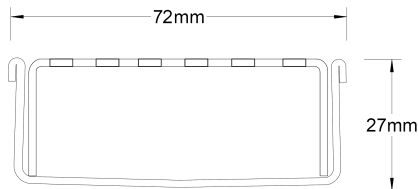
**Range** 65

**Grate Style** PS

**Category** Made-to-Length

**Channel Material** Stainless Steel

**Steel Grade** 316

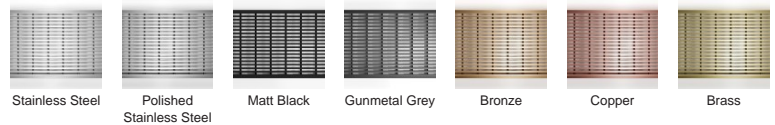


Grates longer than 1500mm supplied in sections.  
Tile Inserts longer than 1200mm supplied in sections.  
Channels over 3000mm supplied in sections with joiner.

### SPECIFICATIONS + DIMENSIONS

<b>Channel Width</b>	72mm
<b>Channel Depth</b>	27mm
<b>Length(s)</b>	As Required
<b>Outlet Size</b>	DN40, DN50, DN65

### STORMTECH COLOUR FINISHES



Electroplate finishes subject to natural variation with time and local environment.

### PRODUCT APPLICATIONS

- |                             |                            |
|-----------------------------|----------------------------|
| Bathroom Drainage           | Hospitality Drainage       |
| Aged / Health Care Drainage | Paved Area Drainage        |
| Balcony Drainage            | Shower Drainage            |
| Commercial Drainage         | Multi-Residential Drainage |
| Courtyard / Patio Drainage  | Special Needs Drainage     |
| Pool and Spa Area Drainage  | Threshold Drainage         |

Copyright © Stormtech Pty Ltd. Patent 733361. Drawings not to scale, please use dimensions shown.



Visit [slimlinedrain.co.uk](http://slimlinedrain.co.uk)  
for tools + inspiration.

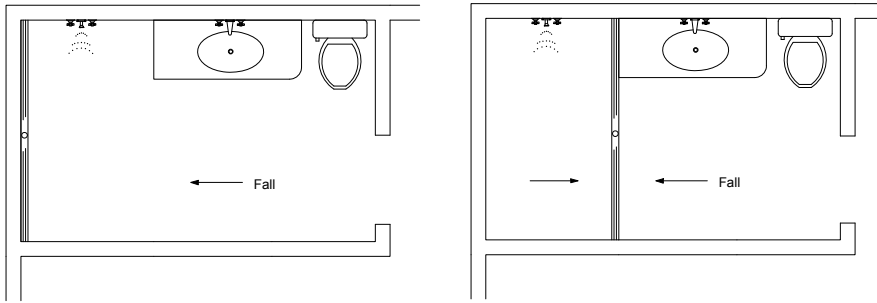
Phone 01483 346460

Email [technical@slimlinedrain.co.uk](mailto:technical@slimlinedrain.co.uk)

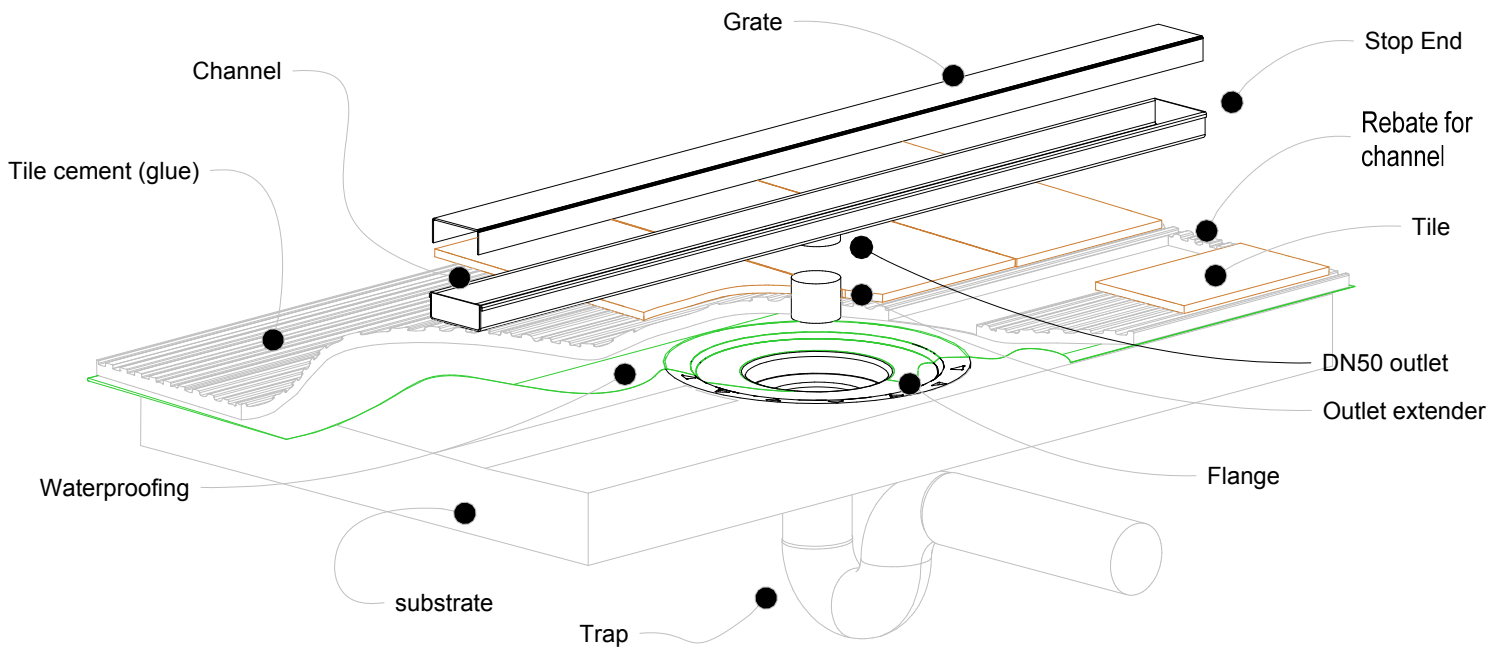
# 65i25MTL Bathroom



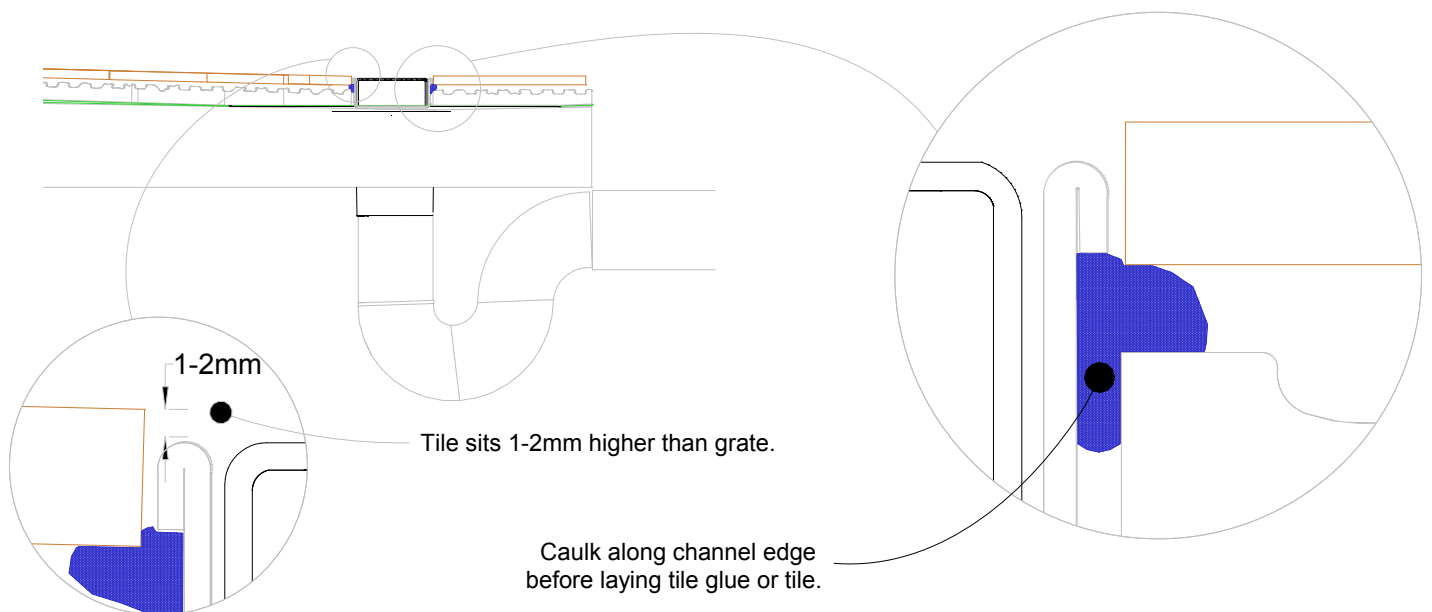
For 65ARi25MTL, 65ARiCO25, 65MNDi25MTL, 65MNDiCO25MTL, 65MNDiCO25, 65PHi25MTL, 65PHi25MTL, 65PSi25CO, 65PSi25MTL, 65PSiCO25, 65TRi25MTL, and 65TRiCO25.



NOTE, refer to AS3500 for specific outlet pipe sizes related to your specific installation.



NOTE, this method requires the channel system to be ABOVE and SEPARATE from the WATERPROOFING.



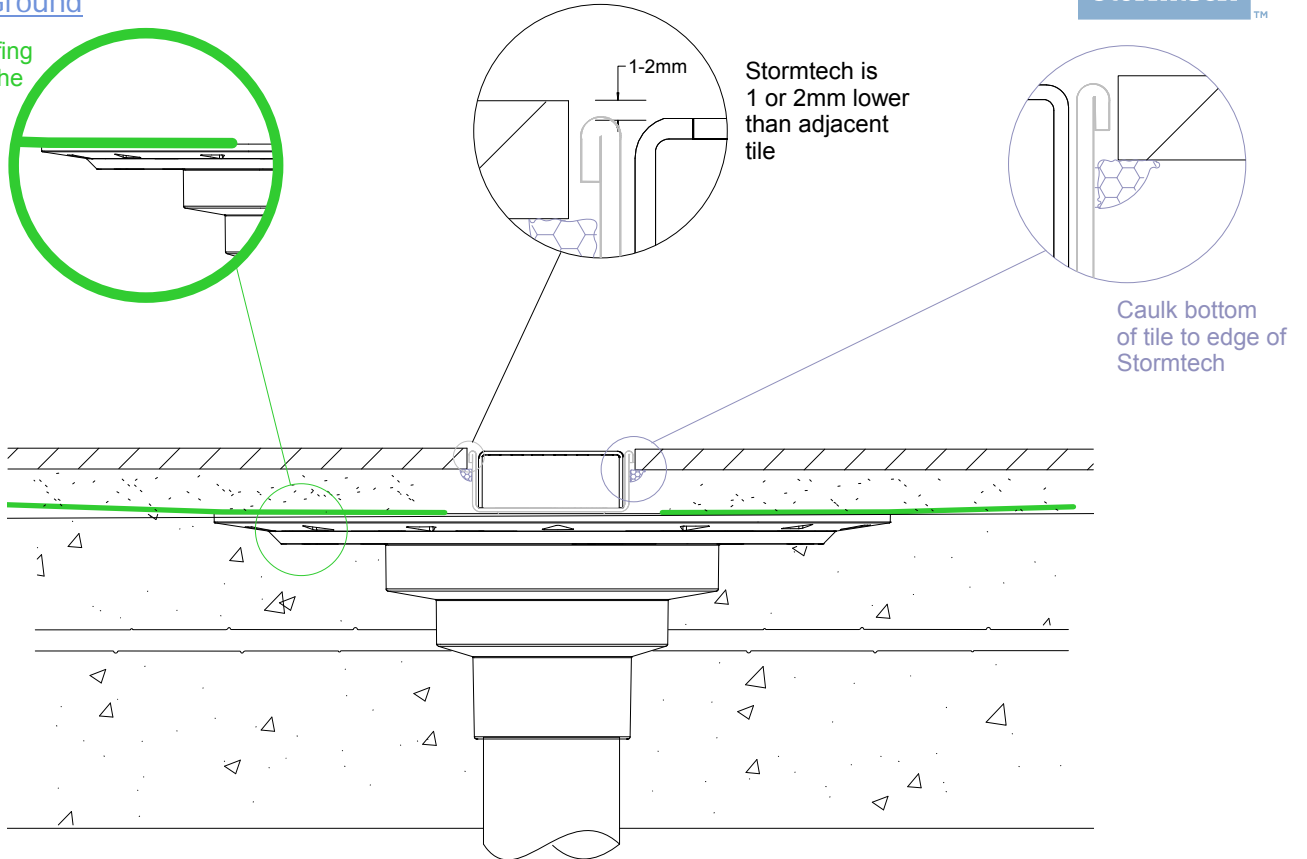
# 65i25MTL Concrete Floor or Deck

For 65ARi25MTL, 65ARiCO25, 65MNDi25MTL, 65MNDiCO25MTL, 65MNDiCO25, 65PHi25MTL, 65PHi25MTL, 65PSi25CO, 65PSi25MTL, 65PSiCO25, 65TRi25MTL, and 65TRiCO25.



## Slab on Ground

Waterproofing is fixed to the floor flange



## Suspended Slab

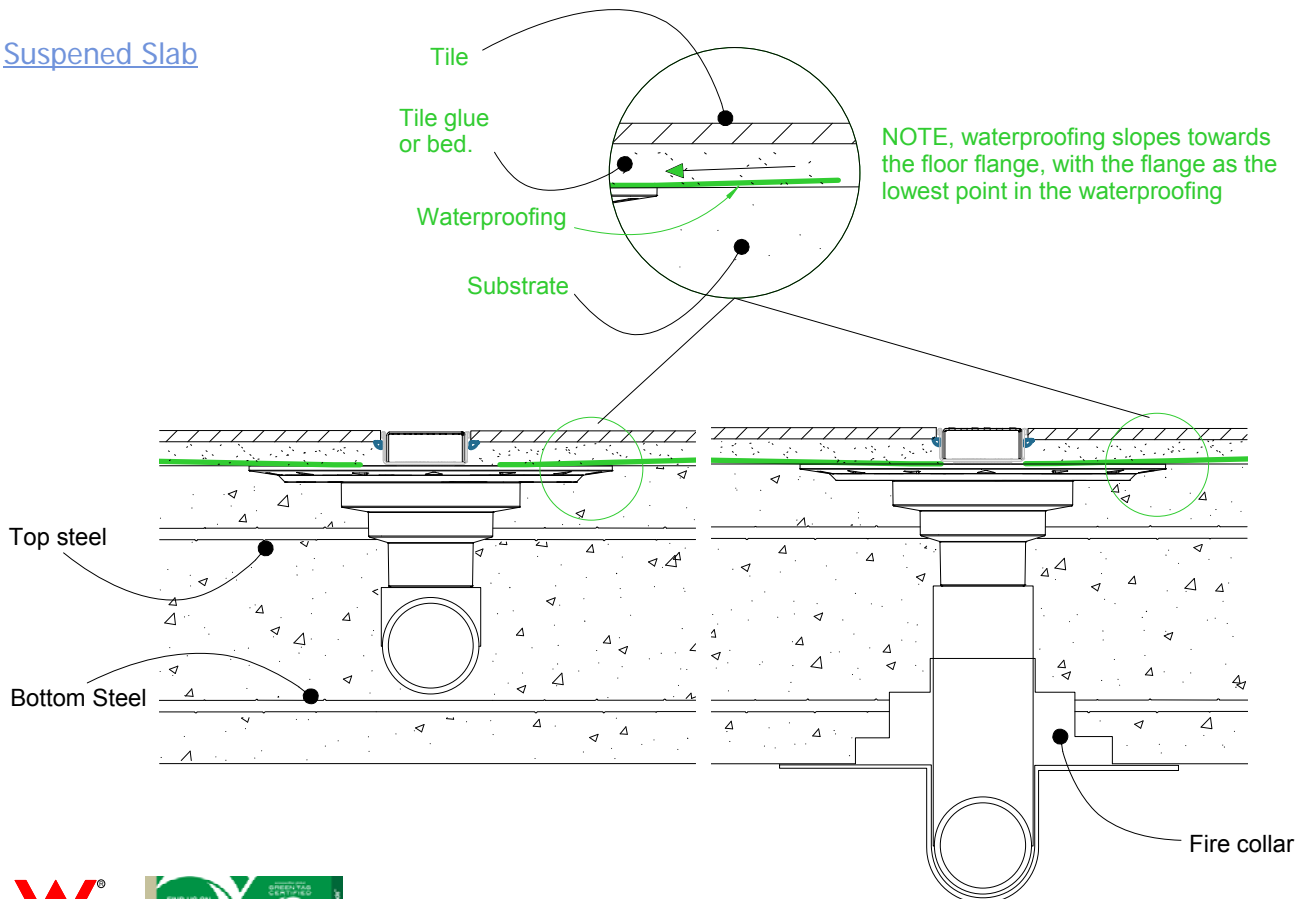
Tile

Tile glue or bed.

Waterproofing

Substrate

NOTE, waterproofing slopes towards the floor flange, with the flange as the lowest point in the waterproofing

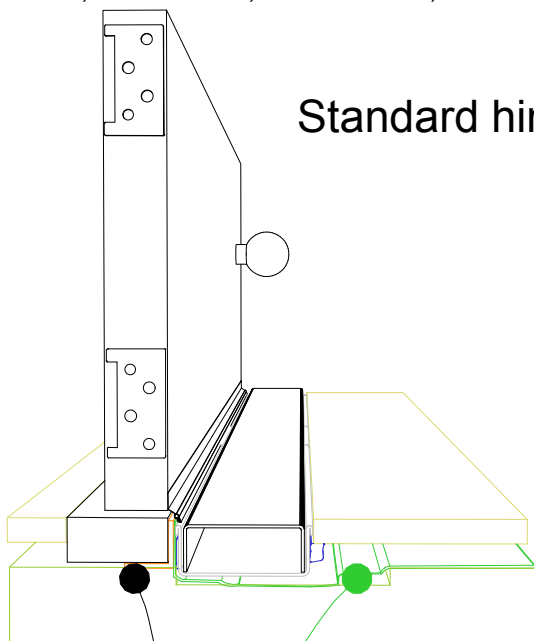


# 65i25MTL Threshold installation suggestion

For 65ARi25MTL, 65ARiCO25, 65MNDi25MTL, 65MNDiCO25MTL, 65MNDiCO25, 65PHi25MTL, 65PHi25MTL, 65PSi25CO, 65PSi25MTL, 65PSiCO25, 65TRi25MTL, and 65TRiCO25.

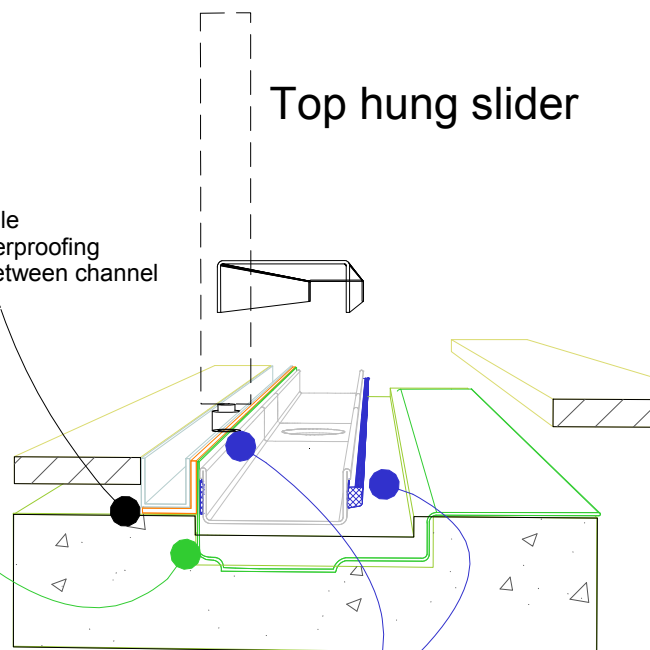


## Standard hinged door



Aluminium angle to support waterproofing and junction between channel and door sil.

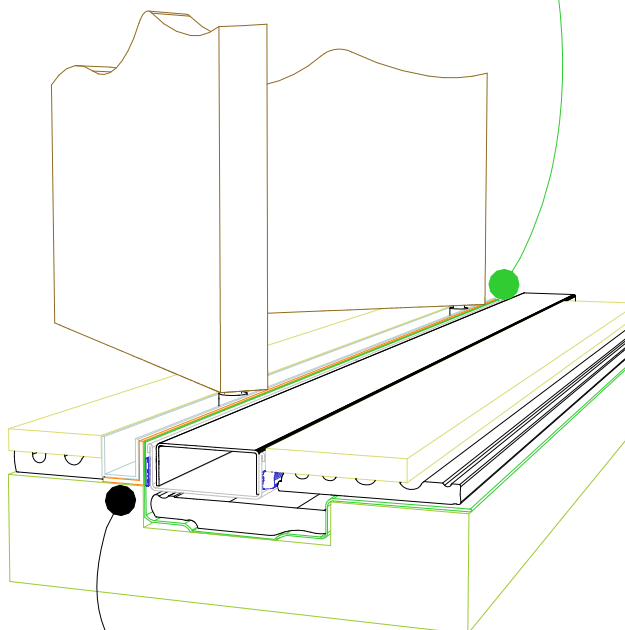
## Top hung slider



Aluminium angle to support waterproofing and junction between channel and door track.

## Waterproofing

## Bi-fold door



Aluminium angle to support waterproofing and junction between channel and door track.

For all types of threshold installation ensure both sides of the channel are sealed before laying tile.

**NOTE, ALWAYS ensure the waterproofing is completed before laying the Stormtech.**

NOTE, ensure weather strip is used on the appropriate side of the door to ensure drafts and moisture are minimised.

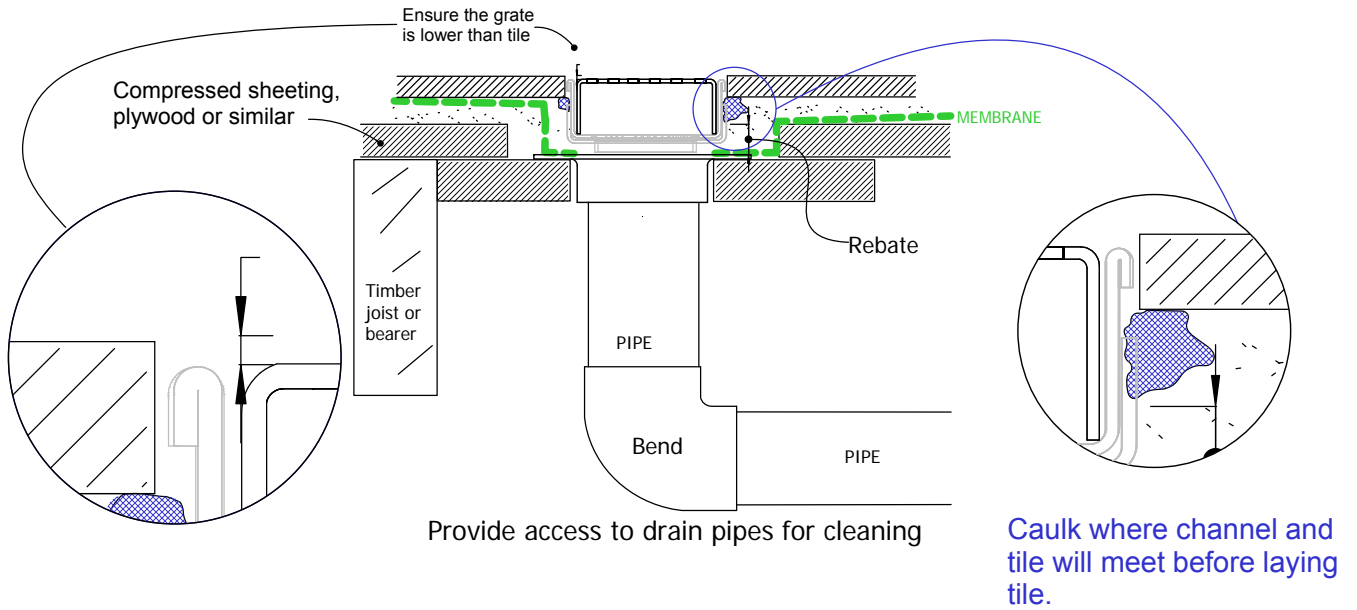


# 65i25MTL TIMBER FLOOR/DECK

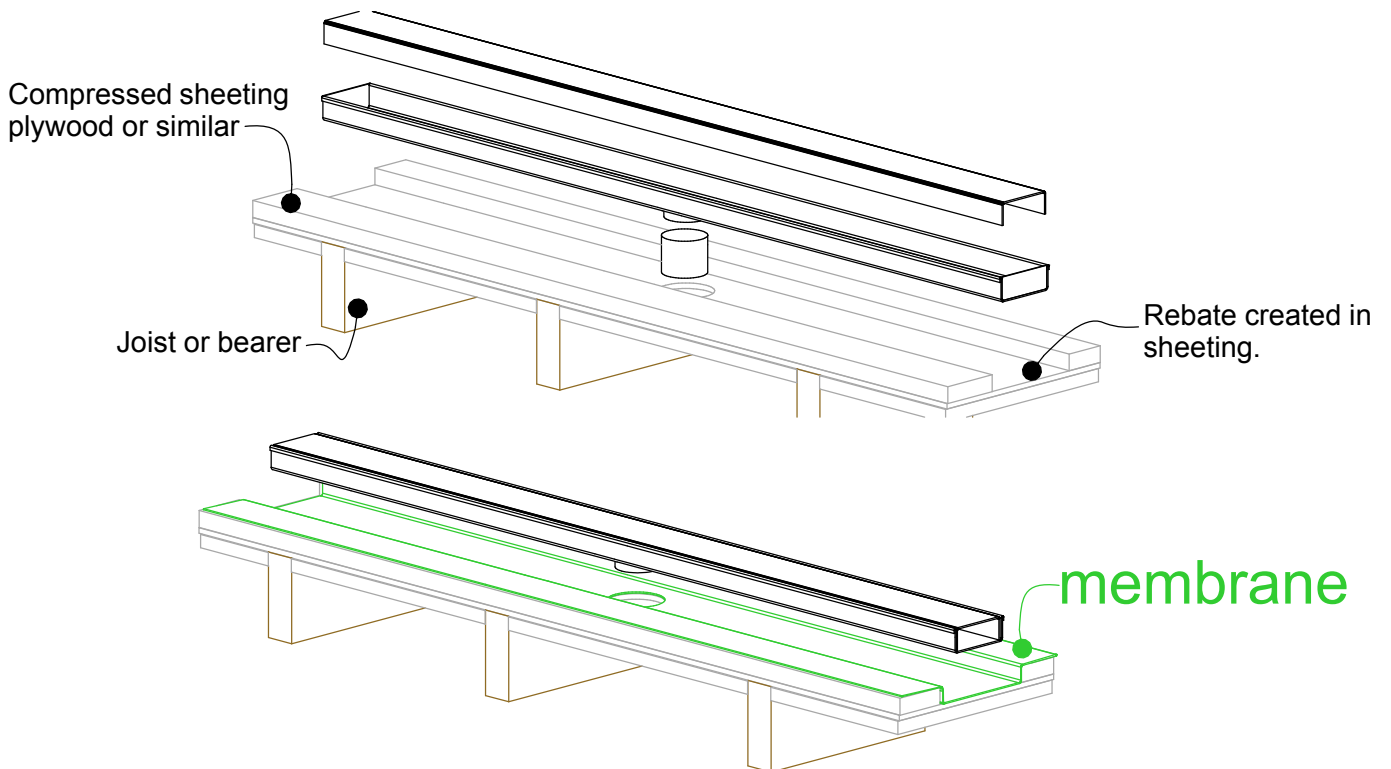


For 65ARi25MTL, 65ARiCO25, 65MNDi25MTL, 65MNDiCO25MTL, 65MNDiCO25, 65PHi25MTL, 65PHi25MTL, 65PSi25CO, 65PSi25MTL, 65PSiCO25, 65TRi25MTL, and 65TRiCO25.

## When 65i25MTL is running parallel to joist/bearer



## When 65i25MTL is running perpendicular to joist/bearer

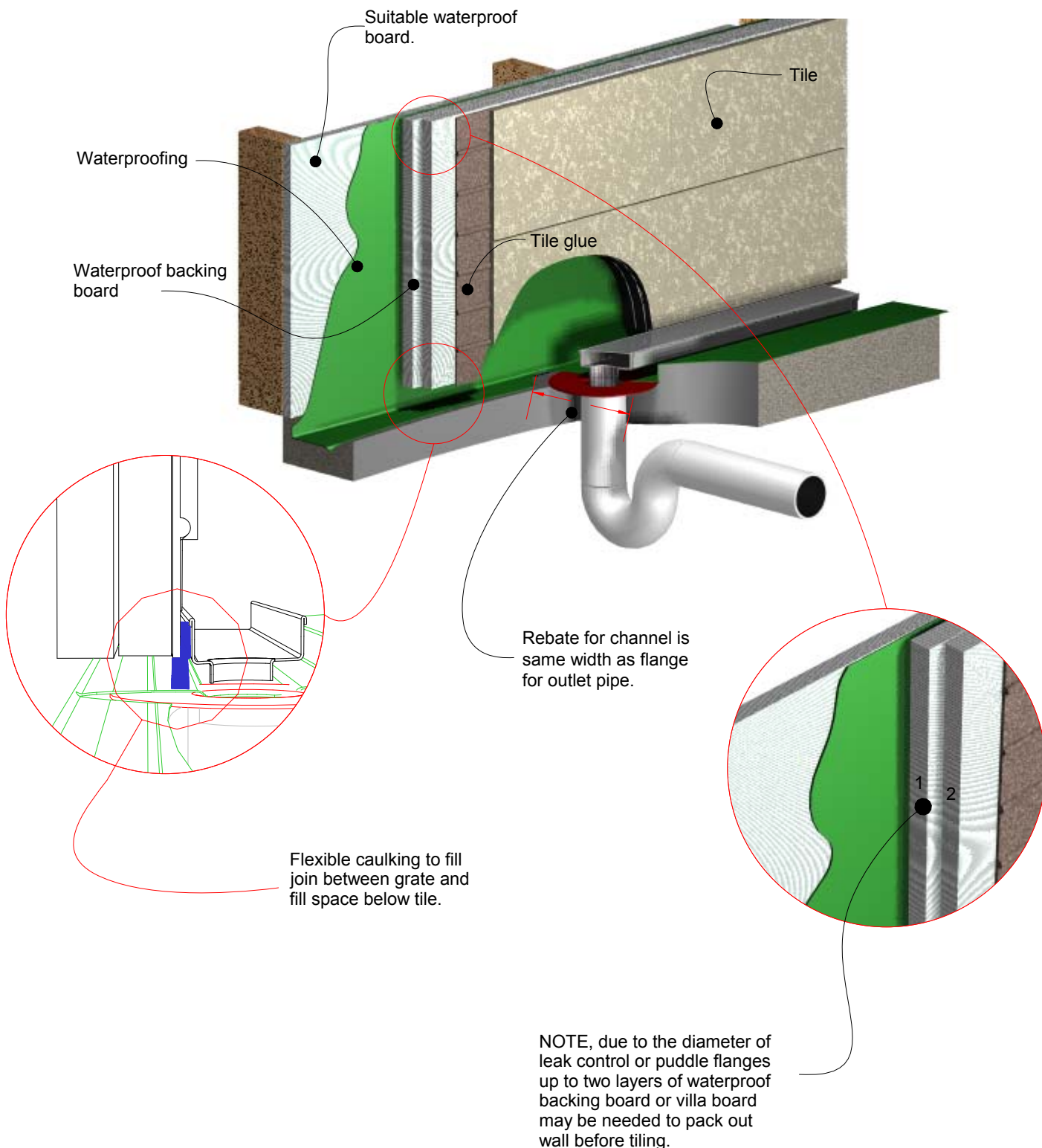


**NOTE: For exterior application allow for expansion of 1mm 3 metres by using quality suitable flexible sealant on channel joins.**

# 65i25MTL Against Wall



For 65ARi25MTL, 65ARiCO25, 65MNDi25MTL, 65MNDiCO25MTL, 65MNDiCO25, 65PHi25MTL, 65PHi25MTL, 65PSi25CO, 65PSi25MTL, 65PSiCO25, 65TRi25MTL, and 65TRiCO25.

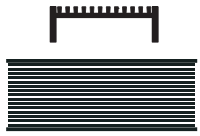


# Order and Quote Form

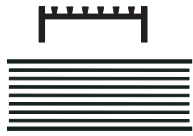
## Made-to-Length Linear Drainage



### Select Grate Style



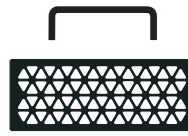
**AR Architectural**  
2mm wire  
2.5mm gap



**TR Standard**  
3mm wire  
5mm gap



**PS Punched Slot**



**MND Marc Newson**



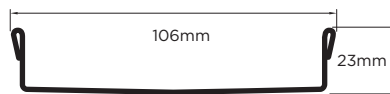
**PAS Punched Angle Slot**



**PPS Punched Perpendicular Slot**

### Tray Profiles

100 Range

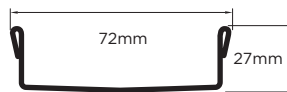


Profile 1



Profile 2

65 Range



Profile 3



Profile 4

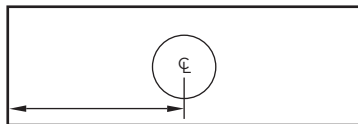
### Specify Size, Outlet and Profile Required

Drain 1



Profile Required

1  2  3  4



Outlet Size

38mm  44mm  51mm  
 63mm  76mm  89mm

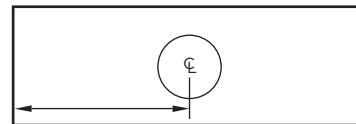


Drain 2



Profile Required

1  2  3  4

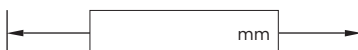


Outlet Size

38mm  44mm  51mm  
 63mm  76mm  89mm

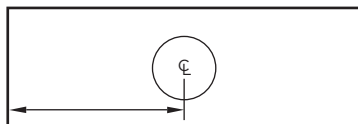


Drain 3



Profile Required

1  2  3  4



Outlet Size

38mm  44mm  51mm  
 63mm  76mm  89mm



#### Please Note

See AS3500 standard & local regulator for specific outlet/drain requirements. Outlet Size must be smaller than selected Range. MND grate style not available with Profiles 2 or 4. Stainless Steel Grade is 316 unless specified. Made-to-Length (MTL) minimum charge of 800mm. Grates longer than 1500mm are supplied in multiple sections. Channels are a maximum 3000mm in one piece, channels over 3000mm are supplied in multiple sections with joiner. +/- 2mm tolerance on dimensions.

Full Name

Company Name

Telephone

Email Address

Order Number

Stormtech Quote Number

Signature

Phone 01483 346 460

Email [technical@slimlinedrain.co.uk](mailto:technical@slimlinedrain.co.uk)

[slimlinedrain.co.uk](http://slimlinedrain.co.uk)



# Order and Quote Form

## Made-to-Length Linear Drainage › Multiple Outlet



### Select Grate Style

<input type="checkbox"/> <b>AR Architectural</b> 2mm wire 2.5mm gap	<input type="checkbox"/> <b>TR Standard</b> 3mm wire 5mm gap	<input type="checkbox"/> <b>PS Punched Slot</b>	<input type="checkbox"/> <b>MND Marc Newson</b>	<input type="checkbox"/> <b>PAS Punched Angle Slot</b>	<input type="checkbox"/> <b>PPS Punched Perpendicular Slot</b>

### Tray Profiles

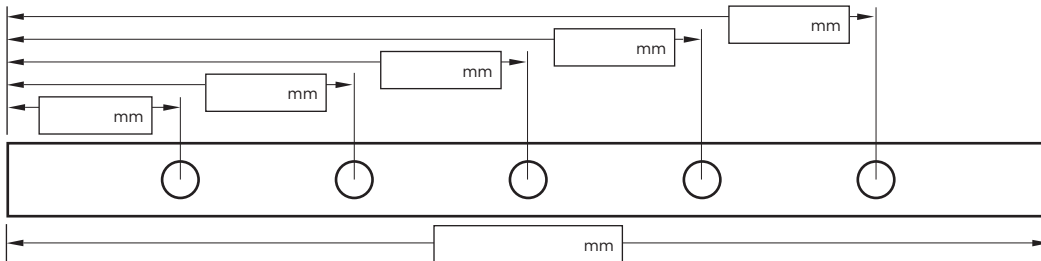
100 Range



65 Range



### Specify Length, Outlet Positions/Size and Profile Required



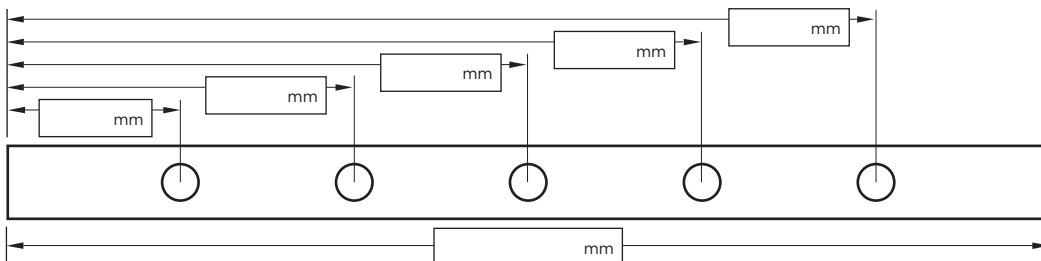
#### Drain 1

##### Profile Required

1  2  3  4

##### Outlet Size

38mm  44mm  51mm  
 63mm  76mm  89mm



#### Drain 2

##### Profile Required

1  2  3  4

##### Outlet Size

38mm  44mm  51mm  
 63mm  76mm  89mm

**NOTE:** See AS3500 standard & local regulator for specific outlet/drain requirements. Outlet Size must be smaller than selected Range. MND grate style not available with Profiles 2 or 4. Stainless Steel Grade is 316 unless specified. Made-to-Length (MTL) minimum charge of 800mm. Grates over 1500mm are supplied in multiple sections. Channels over 3000mm are supplied in multiple sections with joiner. +/- 2mm tolerance on dimensions.

**Full Name**

**Company Name**

**Telephone**

**Email Address**

**Order Number**

**Stormtech Quote Number**

**Signature**

Phone 01483 346 460

Email [technical@slimlinedrain.co.uk](mailto:technical@slimlinedrain.co.uk)

[slimlinedrain.co.uk](http://slimlinedrain.co.uk)

Visit [slimlinedrain.co.uk](http://slimlinedrain.co.uk)

