

ARCHITECTURAL GRATES + DRAINS



# 65MNDi25

## Linear Drainage System

Stormtech is the only linear drainage system available with full Greentag and Watermark certification across our complete product range.

Telephone 01483 346460 | Web [slimlinedrain.co.uk](http://slimlinedrain.co.uk)



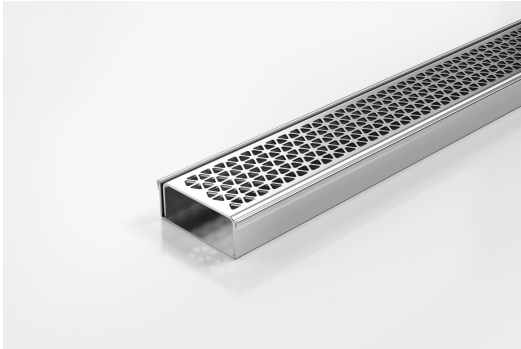


ARCHITECTURAL  
GRATES + DRAINS



# 65MNDi25

## Linear Drainage System



Modular drainage system with a stainless steel grate and stainless steel channel.

A world first in architectural linear grates, the partnership with Marc Newson has created a new decorative solution for wet areas, incorporating Newson's signature tessellated hexagonal pattern.

Please be aware that depending on the installation environment, for a pool installation or close to a surf beach, you may need to have your stainless steel grates electropolished. Lengths over 3000mm available on request.

Refer to AS3500 for outlet pipe sizes specific to your installation.

**Code** 65MNDi25

**Range** 65

**Grate Style** MND

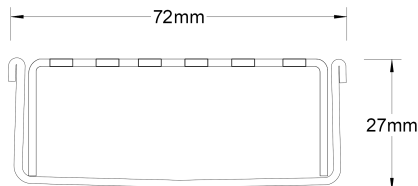
**Category** Modular Kits

**Channel Material** Stainless Steel

**Steel Grade** 316

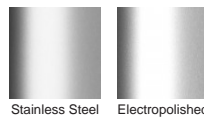
### SPECIFICATIONS + DIMENSIONS

<b>Channel Width</b>	72mm
<b>Channel Depth</b>	27mm
<b>Length(s)</b>	900mm 1000mm 1200mm 1500mm 1800mm 1900mm 2000mm
<b>Outlet Size</b>	DN50



Grates longer than 1500mm supplied in sections. Tile Inserts longer than 1200mm supplied in sections. Channels over 3000mm supplied in sections with joiner. +/-2mm tolerance on dimensions.

### STORMTECH COLOUR FINISHES



Electroplate finishes subject to natural variation with time and local environment. Factors such as pools/surf beaches may require electropolishing. Contact us for suitability.

### PRODUCT APPLICATIONS

- |                             |                            |
|-----------------------------|----------------------------|
| Bathroom Drainage           | Hospitality Drainage       |
| Aged / Health Care Drainage | Paved Area Drainage        |
| Balcony Drainage            | Shower Drainage            |
| Commercial Drainage         | Multi-Residential Drainage |
| Courtyard / Patio Drainage  | Special Needs Drainage     |
| Pool and Spa Area Drainage  | Threshold Drainage         |

Copyright © Stormtech Pty Ltd. Patent 733361. Drawings not to scale, please use dimensions shown. Downloaded 02/02/2024 (please check for updates)



Visit [slimlinedrain.co.uk](http://slimlinedrain.co.uk)  
for tools + inspiration.

Phone 01483 346460

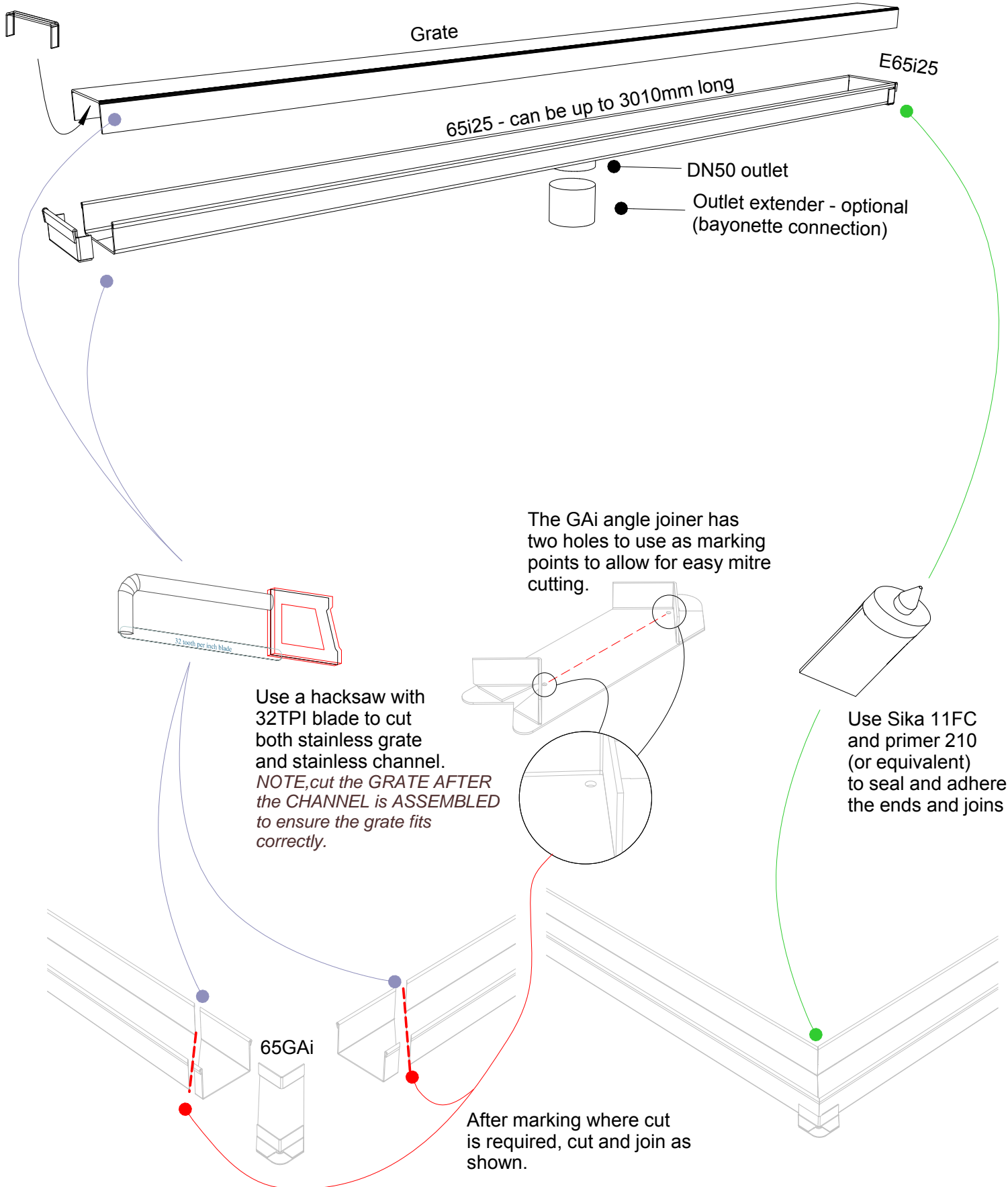
Email [technical@slimlinedrain.co.uk](mailto:technical@slimlinedrain.co.uk)

# 65i25 Assembly

For 65ARi25, 65MNDi25, 65PHi25, 65PSi25,  
65TRi25, 65FTi25.



The PSB support fits under the cut grate to support tyne of the grate (65PS only).



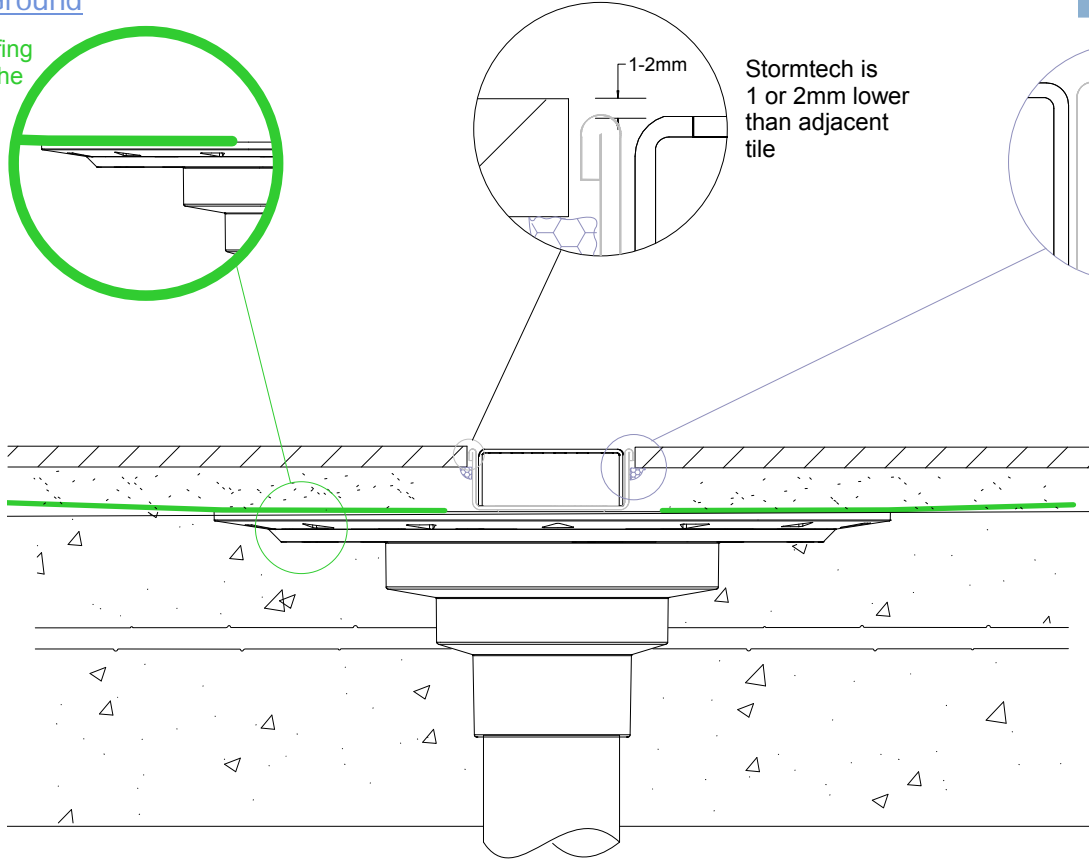
# 65i25 Concrete Floor or Deck

For 65ARi25, 65MNDi25, 65PHi25, 65PSi25, 65TRi25, and 65TRTi25.



## Slab on Ground

Waterproofing is fixed to the floor flange



Stormtech is 1 or 2mm lower than adjacent tile

Caulk bottom of tile to edge of Stormtech

## Suspended Slab

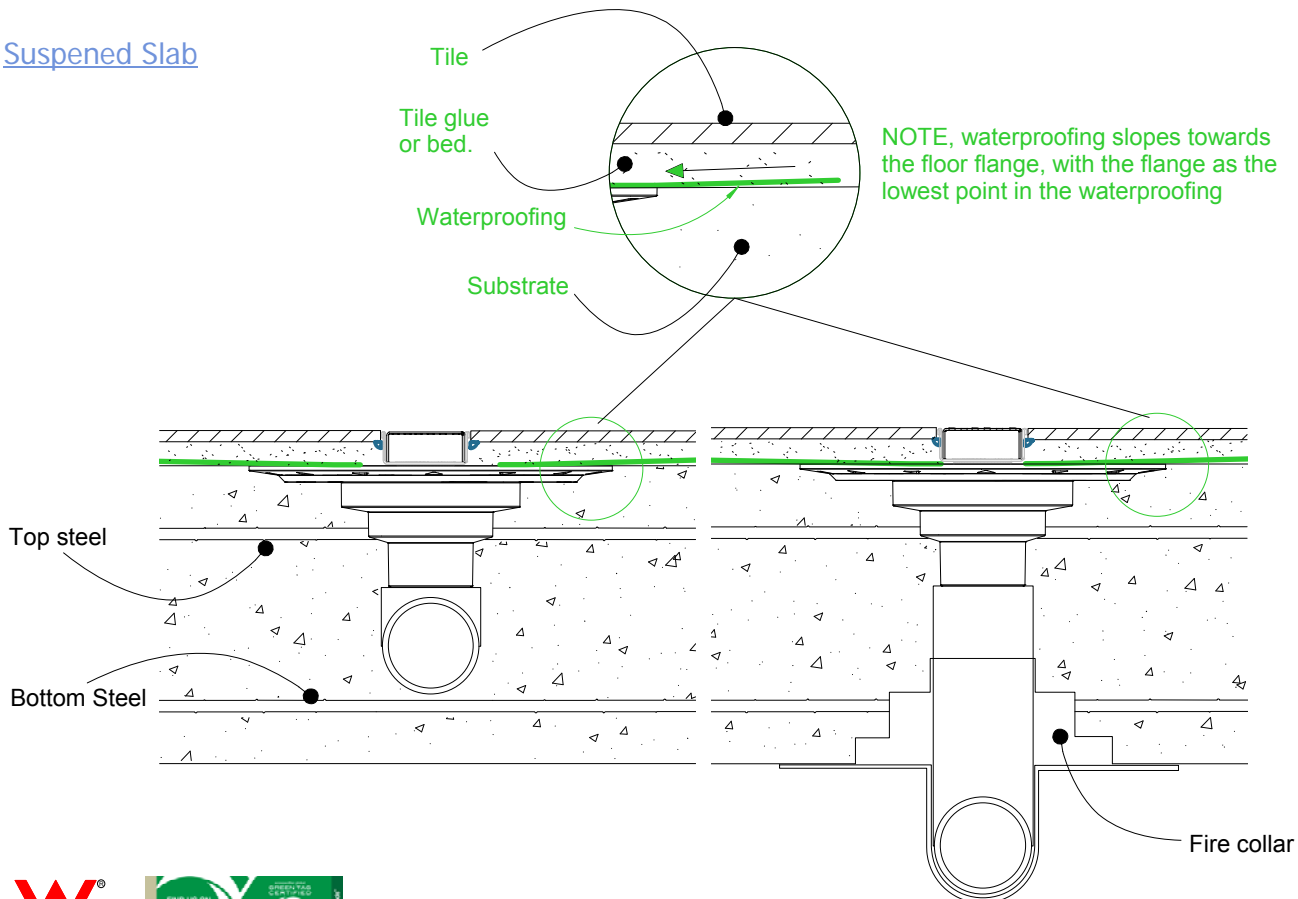
Tile

Tile glue or bed.

Waterproofing

Substrate

NOTE, waterproofing slopes towards the floor flange, with the flange as the lowest point in the waterproofing



Top steel

Bottom Steel

Fire collar

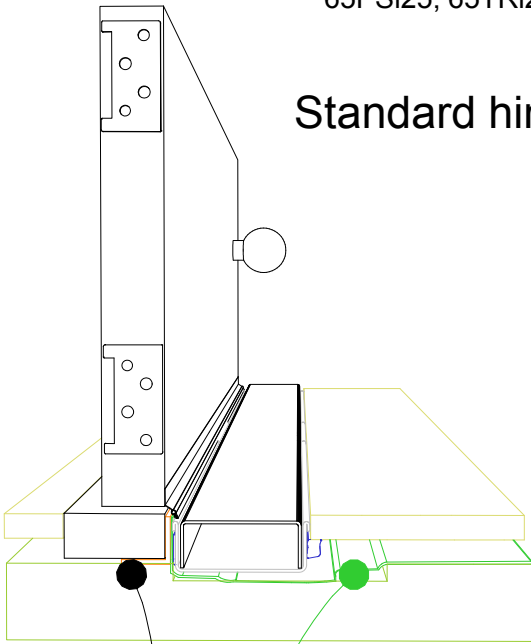


# 65i25 Threshold installation suggestion

For 65ARi25, 65MNDi25, 65PHi25, 65PSi25, 65TRi25, and 65TRTi25.

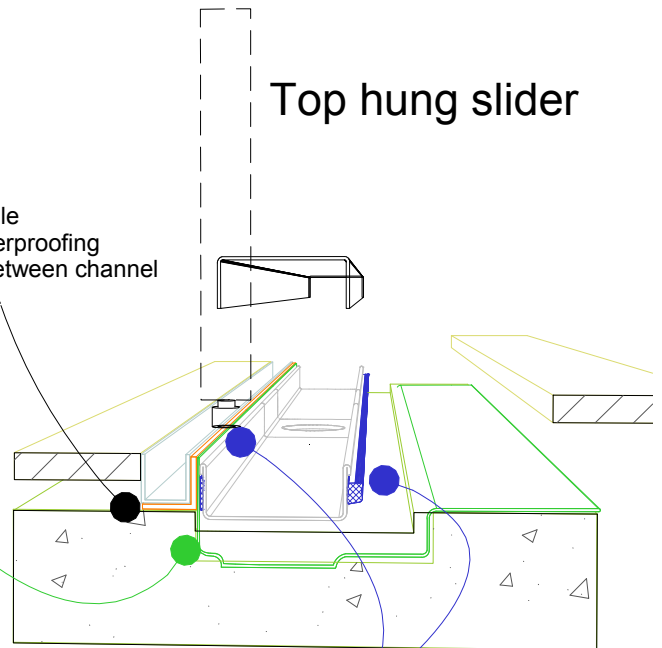


## Standard hinged door



Aluminium angle to support waterproofing and junction between channel and door sil.

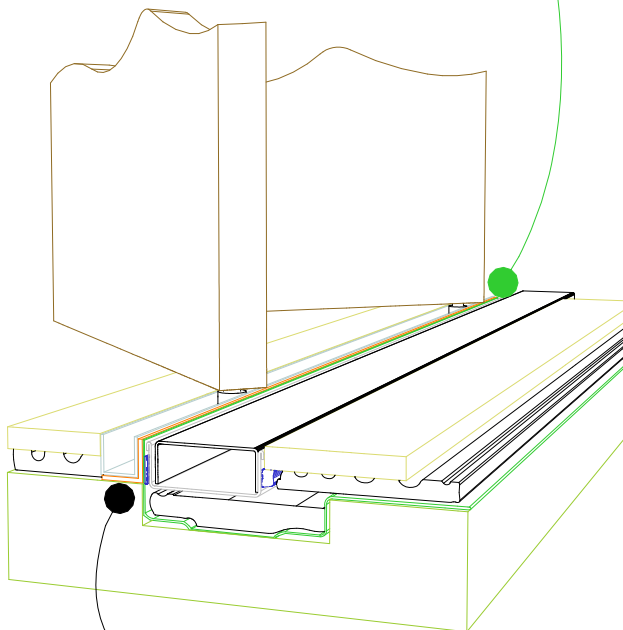
## Top hung slider



Aluminium angle to support waterproofing and junction between channel and door track.

## Waterproofing

## Bi-fold door



Aluminium angle to support waterproofing and junction between channel and door track.

For all types of threshold installation ensure both sides of the channel are sealed before laying tile.

**NOTE, ALWAYS ensure the waterproofing is completed before laying the Stormtech.**

NOTE, ensure weather strip is used on the appropriate side of the door to ensure drafts and moisture are minimised.

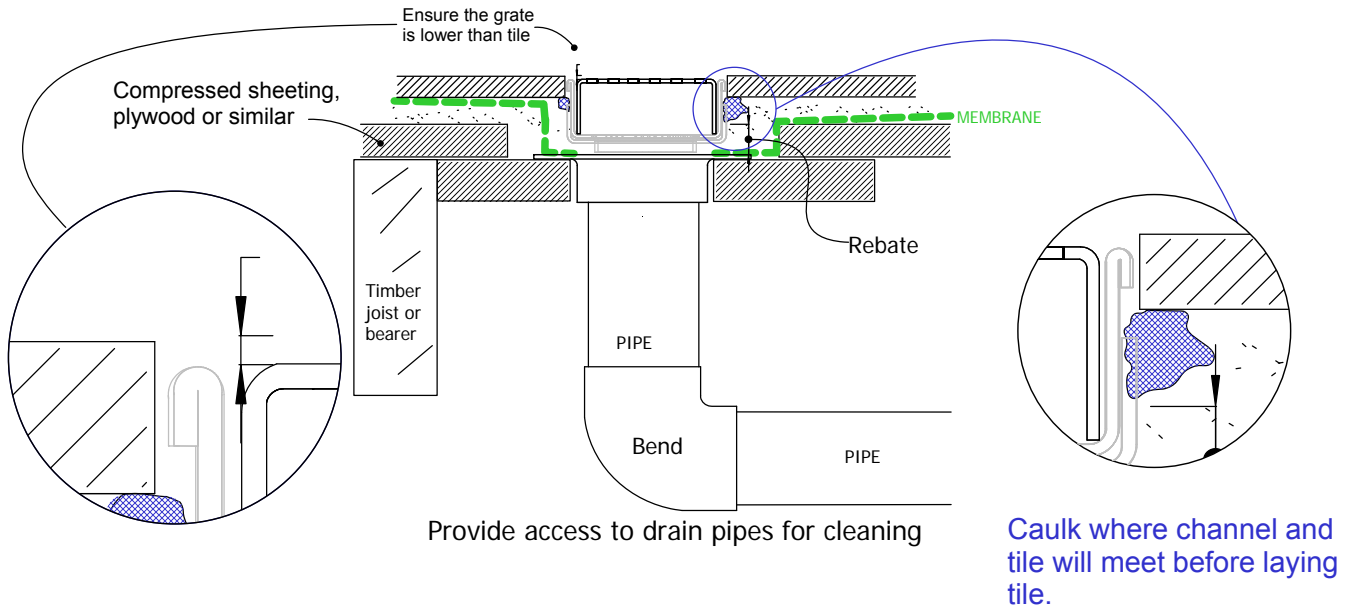


# 65i25 TIMBER FLOOR/DECK

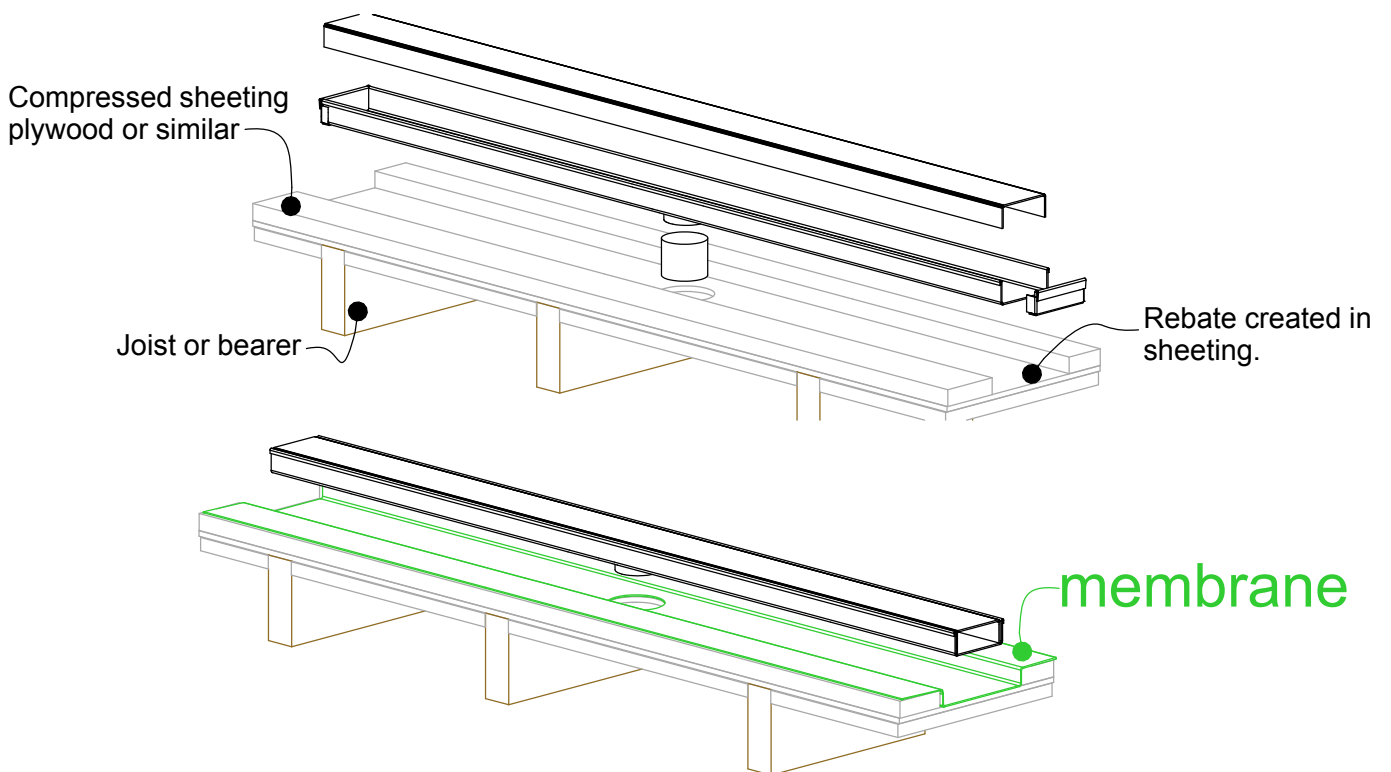
For 65ARi25, 65MNDi25, 65PHi25,  
65PSi25, 65TRi25, and 65TRTi25.



When 65i25 is running parallel to joist/bearer



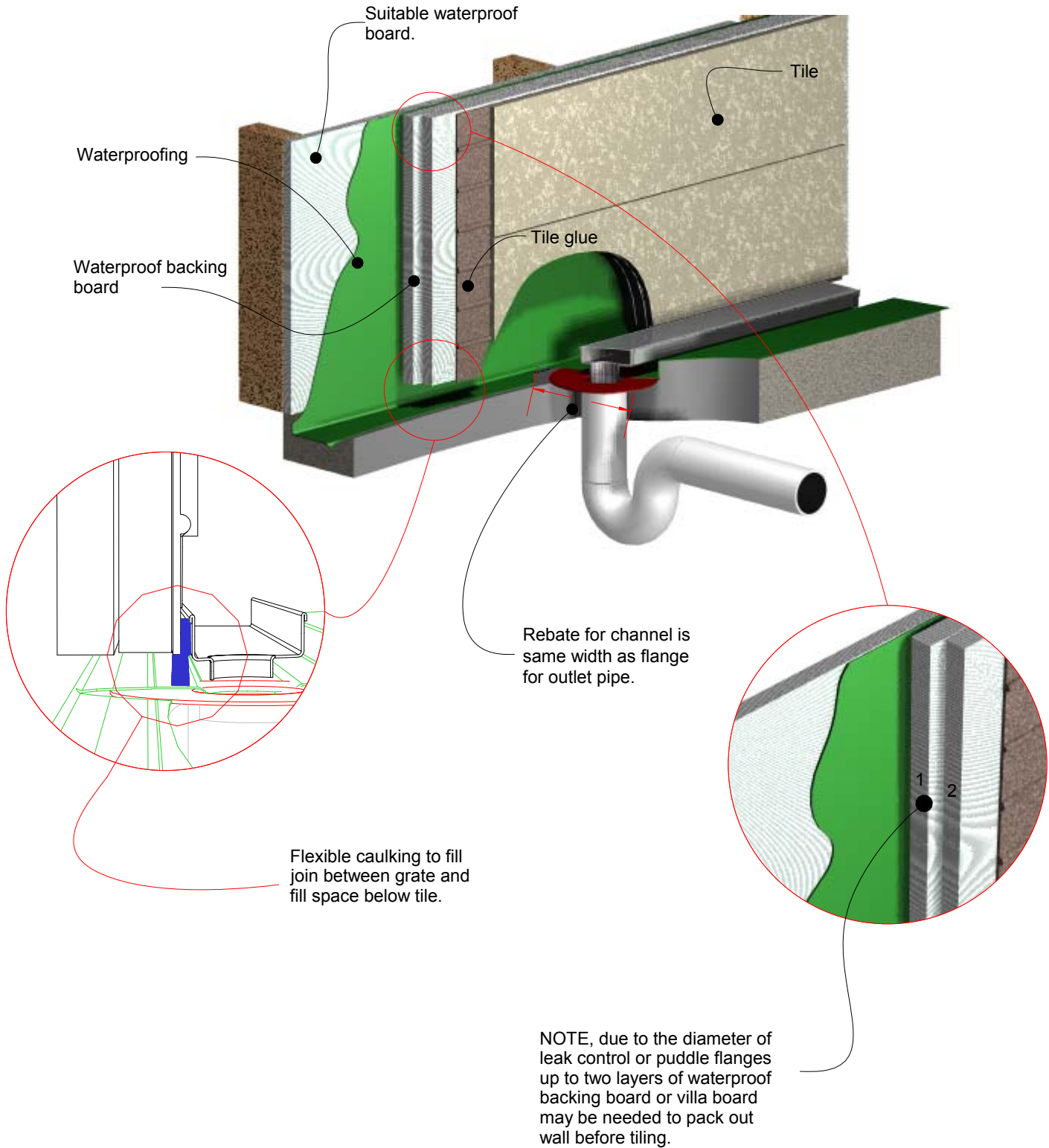
When 65i25 is running perpendicular to joist/bearer



**NOTE: For exterior application allow for expansion of 1mm 3 metres by using quality suitable flexible sealant on channel joins. Use PVC solvent cement for ends and outlets.**

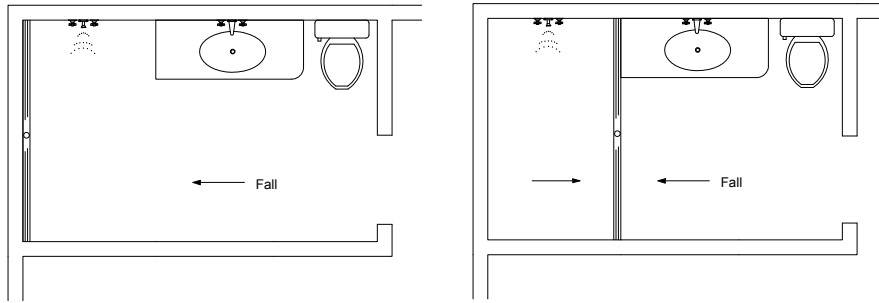
# 65i25 Against Wall

For 65ARi25, 65MNDi25, 65PHi25, 65PSi25, 65TRi25, and 65TRTi25.

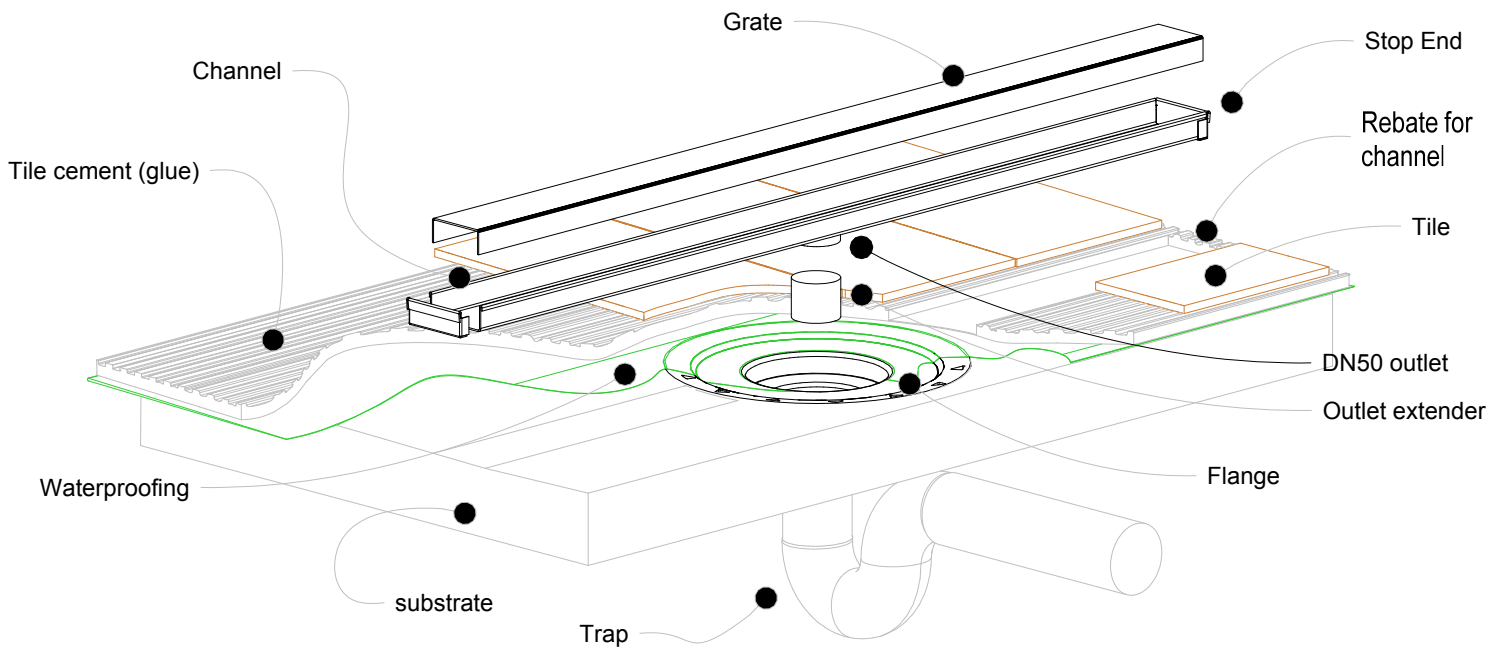


# 65i25 Bathroom (Kits under 2m)

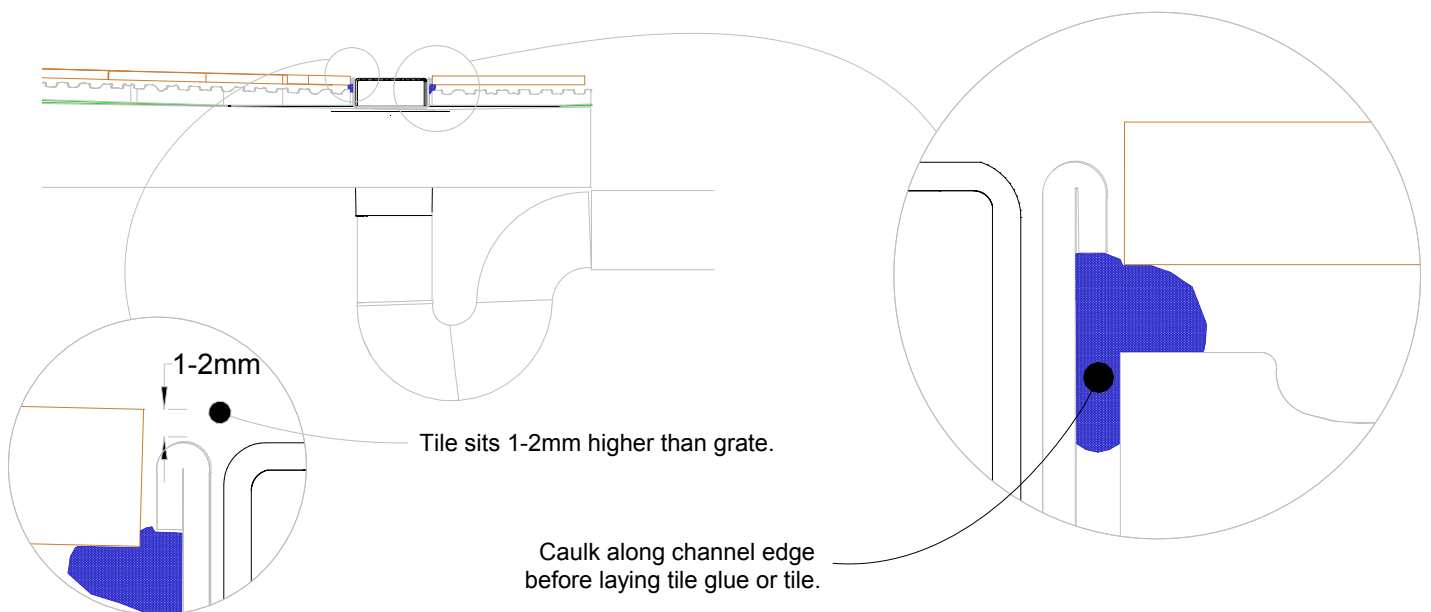
For 65ARi25, 65MNDi25, 65PHi25,  
65PSi25, 65TRi25, and 65TRTi25.



NOTE, refer to AS3500 for specific outlet pipe sizes related to your specific installation.

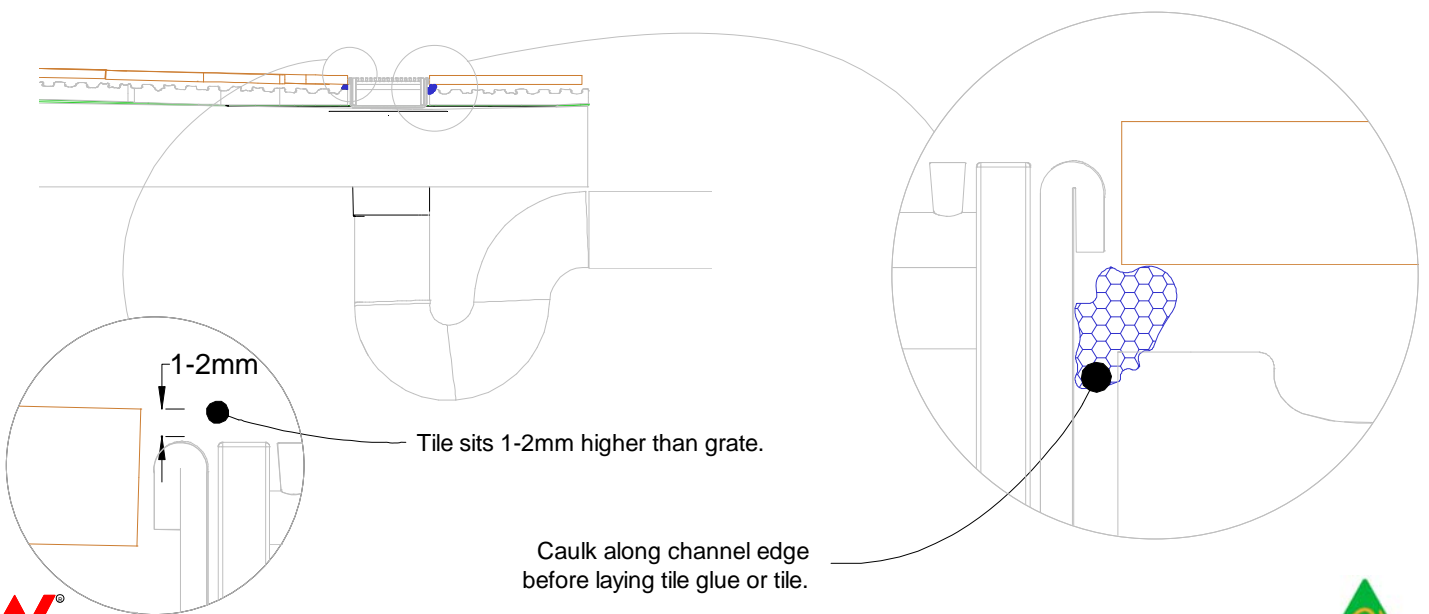
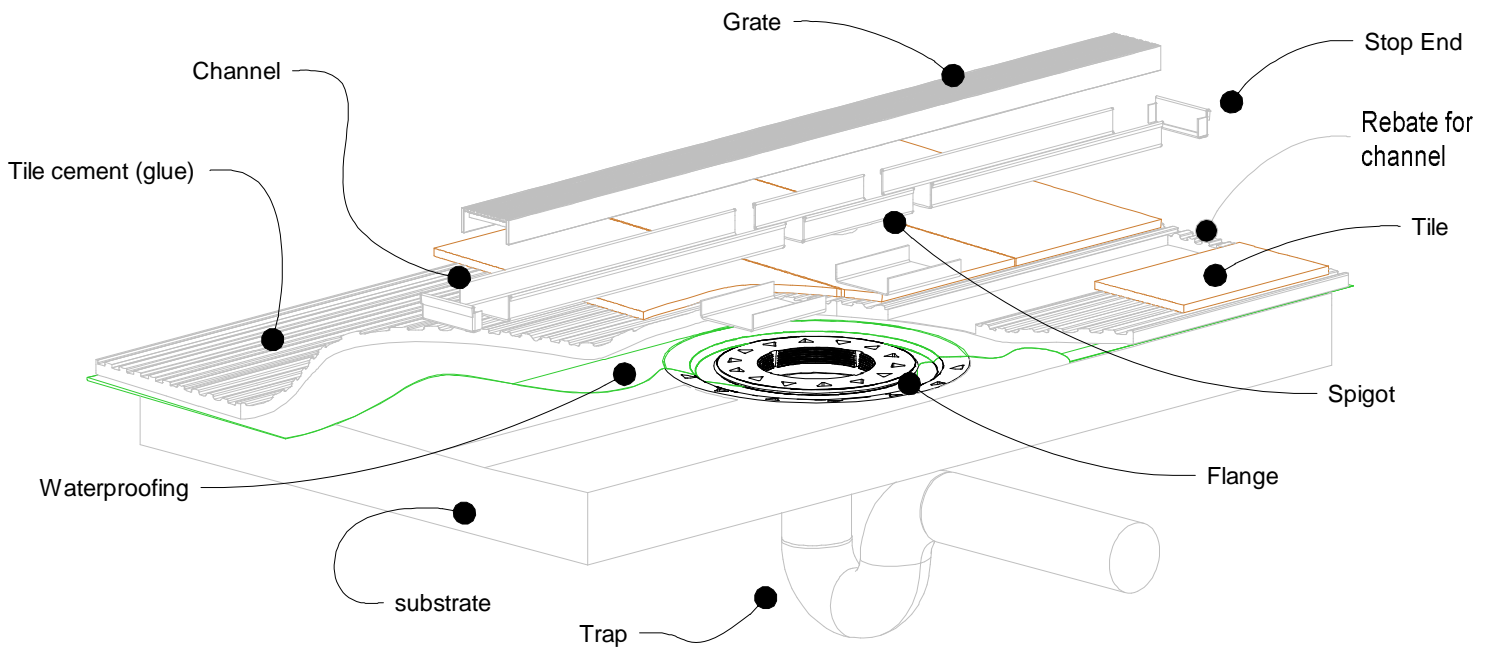
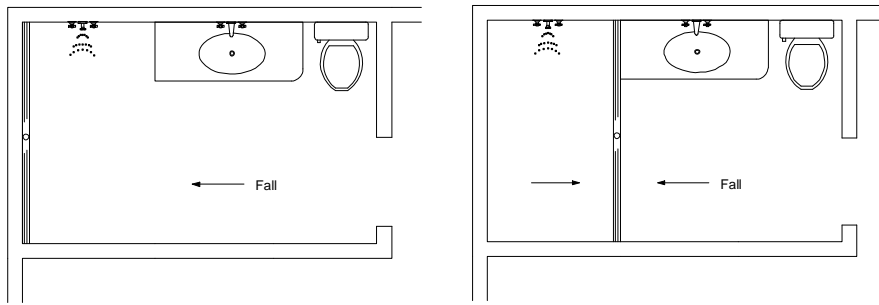


NOTE, this method requires the channel system to be ABOVE and SEPARATE from the WATERPROOFING.





# 65i25 Bathroom (Kits over 2m)



Visit [slimlinedrain.co.uk](http://slimlinedrain.co.uk)

