

ARCHITECTURAL GRATES + DRAINS



65TiimTLF

Tile Flange

Stormtech is the only linear drainage system available with full Greentag and Watermark certification across our complete product range.

Telephone 01483 346460 | Web slimlinedrain.co.uk



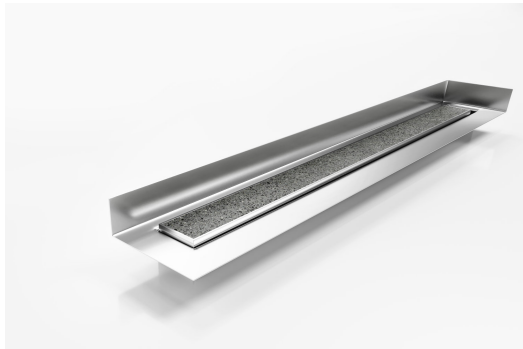


ARCHITECTURAL
GRATES + DRAINS



65TiIMTLF

Tile Flange



Tile Insert drain with a custom channel with tile flange. Suitable for tiles up to 20mm thick.

The F Series features a custom made flange for floor and walls combined with a choice of grate or tile insert from Stormtech's superb designer range.

Stormtech's range of architectural grates and drains with tile flanges are designed to solve the complexities of today's building requirements

Custom made to suit your range requirements; including custom built flange ledge to suit your tile depth, outlet size and channel position.

Code 65TiIMTLF

Range 65

Grate Style Ti

Category Made-to-Length

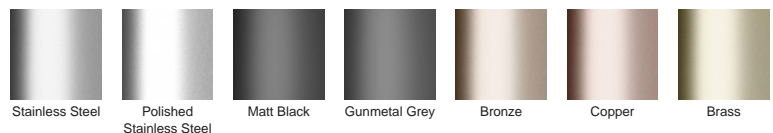
Channel Material Stainless Steel

Steel Grade 316

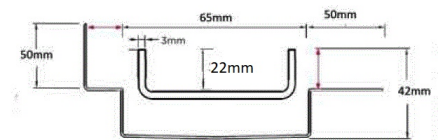
SPECIFICATIONS + DIMENSIONS

Channel Width	65mm
Channel Depth	42mm
Length(s)	As Required
Outlet Size	DN40, DN50, DN65

STORMTECH COLOUR FINISHES



Electroplate finishes subject to natural variation with time and local environment. Factors such as pools/surf beaches may require electropolishing. Contact us for suitability.



Grates longer than 1500mm supplied in sections.
Tile Inserts longer than 1200mm supplied in sections.
Channels over 3000mm supplied in sections with joiner.
+/-2mm tolerance on dimensions.

PRODUCT APPLICATIONS

- | | |
|-----------------------------|----------------------------|
| Bathroom Drainage | Shower Drainage |
| Aged / Health Care Drainage | Multi-Residential Drainage |
| Balcony Drainage | Special Needs Drainage |
| Commercial Drainage | Threshold Drainage |
| Hospitality Drainage | Suspended Slab Drainage |
| Paved Area Drainage | Wet Area Drainage |

Copyright © Stormtech Pty Ltd. Patent 733361. Drawings not to scale, please use dimensions shown.



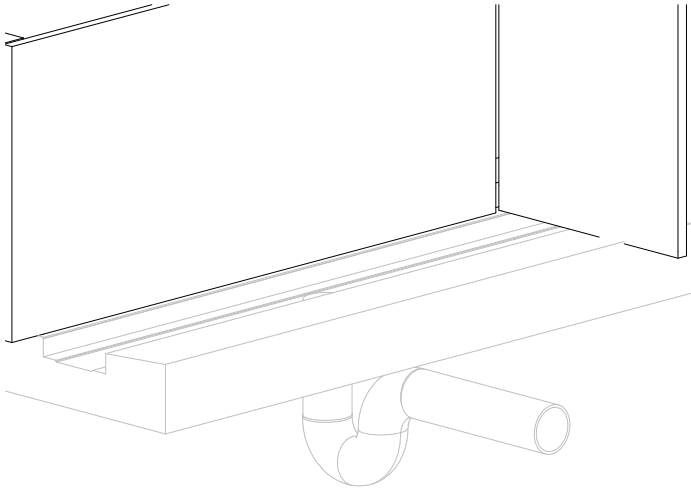
Visit slimlinedrain.co.uk
for tools + inspiration.

Phone 01483 346460

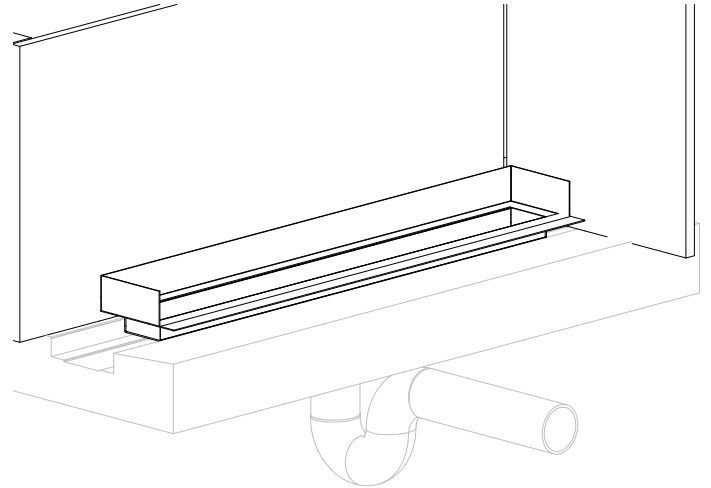
Email technical@slimlinedrain.co.uk

Waterproofing flanged tray installation

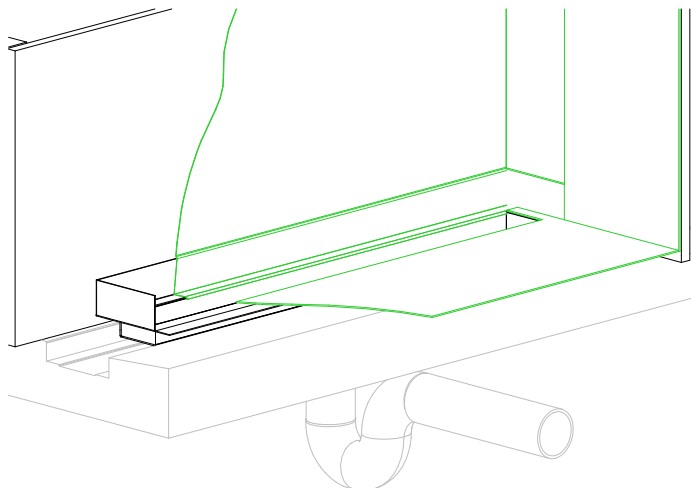
Create rebate in floor to accept the flanged tray.
Ensure the outlet location and rebate are sized to suit the flanged tray.



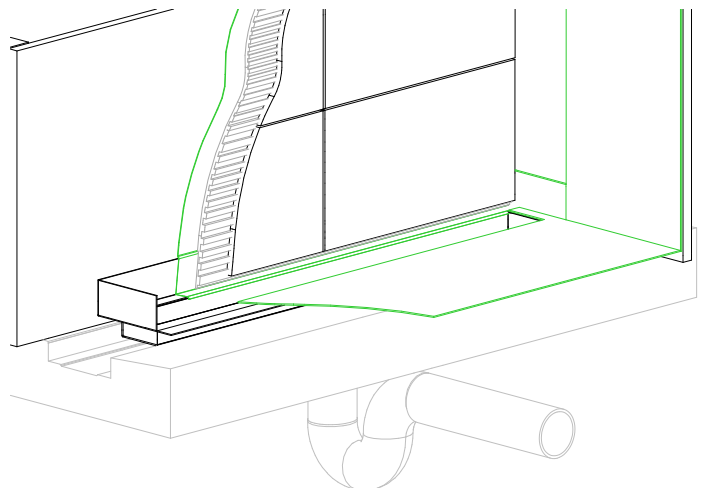
Lay the tray in position with outlet connecting to the riser of the waste.
Fix the tray in position once level and height are set.
NOTE, the grate should finish 1-2mm lower than the adjacent tile.



Apply a suitable waterproofing membrane as per relevant standards and building code.
The flanged tray is suitable for use as a waterproofing flange.
Once the waterproofing membrane is cured tiling can be completed.



For tiling, ensure the grate is removable and not locked in by tiles.
Test fitting of the grate during tiling is suggested.



Order Form

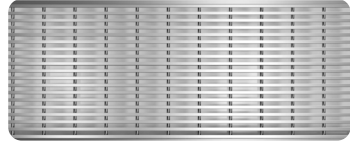
Grate and Channel with Wall Tiling Flanges and Floor Tiling Flanges



slimlinedrain.co.uk
 Phone 01483 346460
 Email technical@slimlinedrain.co.uk

Step 1 Select Grate or Tile Insert

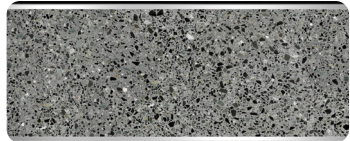
AR 2mm wire / 2.5mm gap



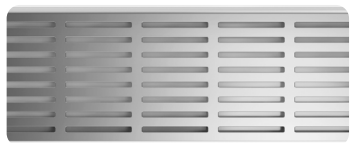
TR 3mm wire / 5mm gap



Ti Tile Insert



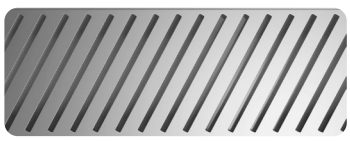
PS Punched Slot Grate



PPS Punched Perpendicular Slot

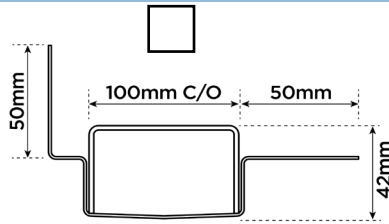


PAS Punched Angle Slot

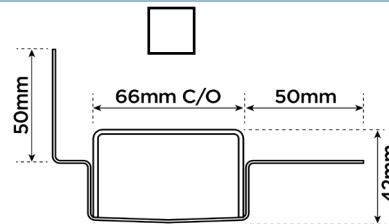


Step 2 Select Tray Profile

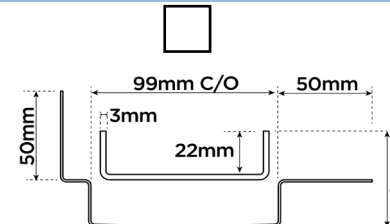
C/O = Clear Opening



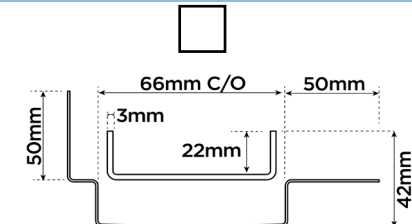
Profile 1: Grate Insert



Profile 2: Grate Insert



Profile 3: Tile Insert

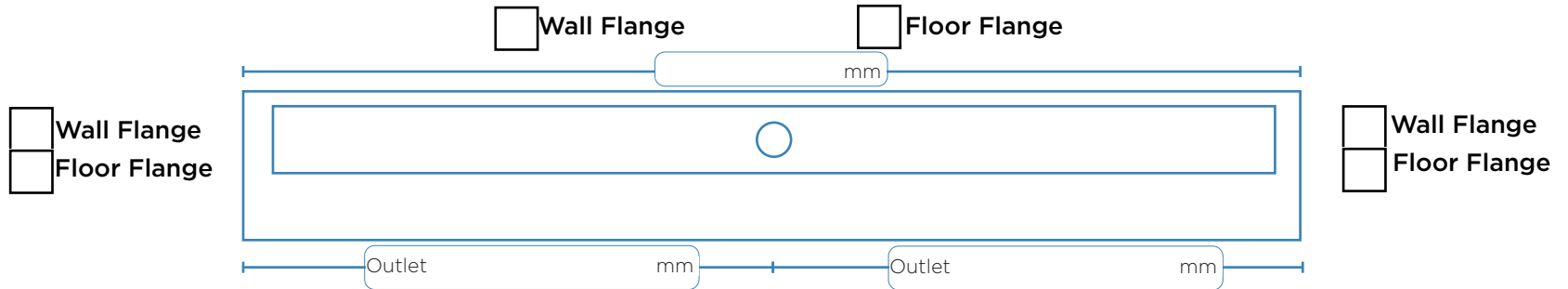


Profile 4: Tile Insert

Step 3 Select Outlet Position Outlet Size

38mm 44mm 51mm 63mm 76mm 89mm 50.8mm Male (Threaded at extra cost)

When using 50mm floor flanges on the channel ends, include them in the overall channel length



Step 4 Select Tile Thickness

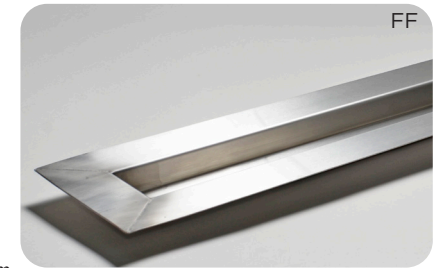
WF - Wall Flange
 Wall Tiling Flange / Upstand
 (Allow for waterproofing, tile glue and tile)

- 13mm (Suites 8mm Tile)
- 15mm (Suites 10mm Tile)
- 20mm (Suites 15mm Tile)
- 25mm (Suites 20mm Tile)
- Other ____mm Minimum 13mm



FF - Floor Flange
 Height Above Floor Flange
 (Allow for waterproofing, tile glue and tile)

- 10mm (Suites 6mm Tile)
- 13mm (Suites 8mm Tile)
- 15mm (Suites 10mm Tile)
- 20mm (Suites 15mm Tile)
- 25mm (Suites 20mm Tile)
- Other ____mm Maximum 29mm



Full Name _____ Company Name _____ Email Address _____
 Telephone _____ Order Number _____ Stormtech Quote Number _____ Signature _____
 Builders Name _____ Company Name _____ Site Address _____

Visit slimlinedrain.co.uk

