

ARCHITECTURAL GRATES + DRAINS



38PSG40

Linear Drainage System

Stormtech is the only linear drainage system available with full Greentag and Watermark certification across our complete product range.

Telephone 01483 346460 | Web slimlinedrain.co.uk



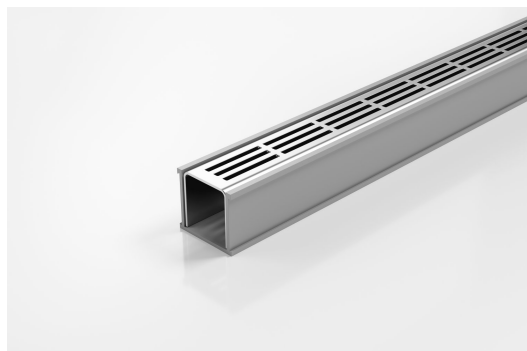


ARCHITECTURAL
GRATES + DRAINS



38PSG40

Linear Drainage System



Stainless steel drainage unit with uPVC Channel and Fittings

The 38PS40 is a Punched Slot grate design.

Manufactured from 316 marine grade the 38PS is 38mm wide and 40mm deep.

Lengths over 3000mm available on request.

Refer to AS3500 for outlet pipe sizes specific to your installation.

Code 38PSG40

Range 38

Grate Style PS

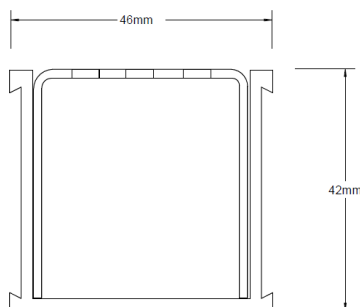
Category Modular Kits

Channel Material uPVC

Steel Grade 316

SPECIFICATIONS + DIMENSIONS

| | |
|----------------------|---|
| Channel Width | 46mm |
| Channel Depth | 42mm |
| Length(s) | 900mm 1000mm 1200mm 1500mm 1800mm 1900mm 2000mm 2200mm 2400mm 2700mm 3000mm |
| Outlet Size | DN40, DN50 |



STORMTECH COLOUR FINISHES



Electroplate finishes subject to natural variation with time and local environment.

PRODUCT APPLICATIONS

- | | |
|-----------------------------|----------------------------|
| Bathroom Drainage | Hospitality Drainage |
| Aged / Health Care Drainage | Paved Area Drainage |
| Balcony Drainage | Shower Drainage |
| Commercial Drainage | Multi-Residential Drainage |
| Courtyard / Patio Drainage | Special Needs Drainage |
| Pool and Spa Area Drainage | Threshold Drainage |

Grates longer than 1500mm supplied in sections.
Tile Inserts longer than 1200mm supplied in sections.
Channels over 3000mm supplied in sections with joiner.

Copyright © Stormtech Pty Ltd. Patent 733361. Drawings not to scale, please use dimensions shown.



Visit slimlinedrain.co.uk
for tools + inspiration.

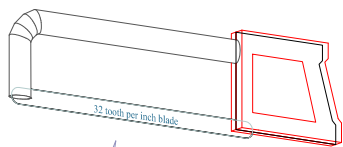
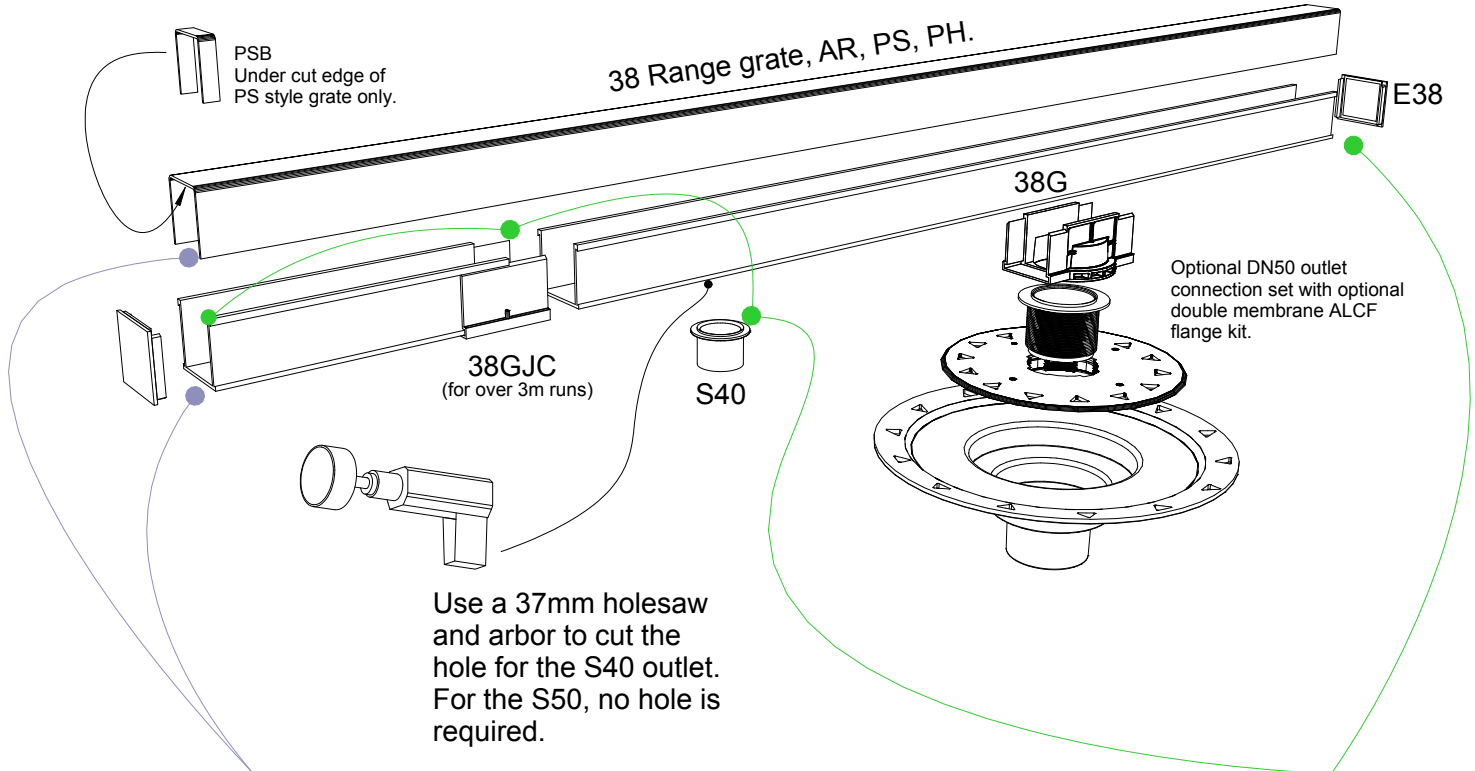
Phone 01483 346460

Email technical@slimlinedrain.co.uk

38G40 Assembly

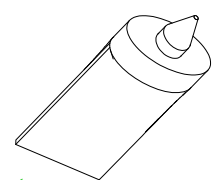


Assembly instruction for:
 38ARG40
 38PSG40
 38PHG40

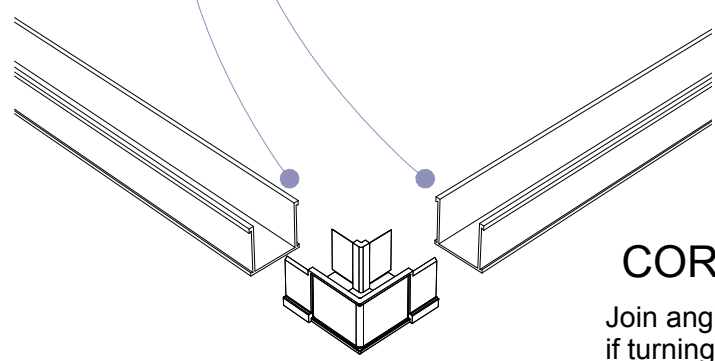


Use a hacksaw with 32TPI blade to cut both stainless grate and PVC channel.

NOTE, CUT the GRATE AFTER the CHANNEL is ASSEMBLED to ensure the grate fits correctly. The GRATE will be SHORTER to fit INSIDE the channel.



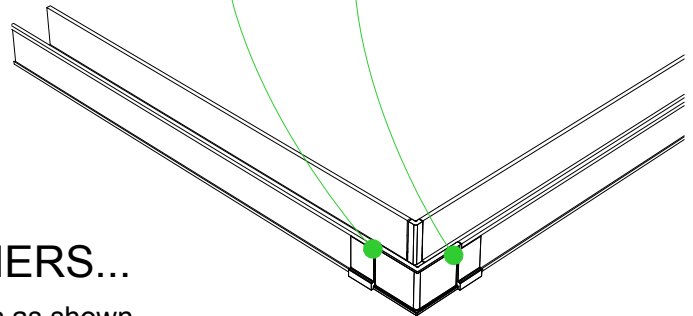
PVC solvent cement the parts together. Use type N clear with clear primer.



38GAM

CORNERS...

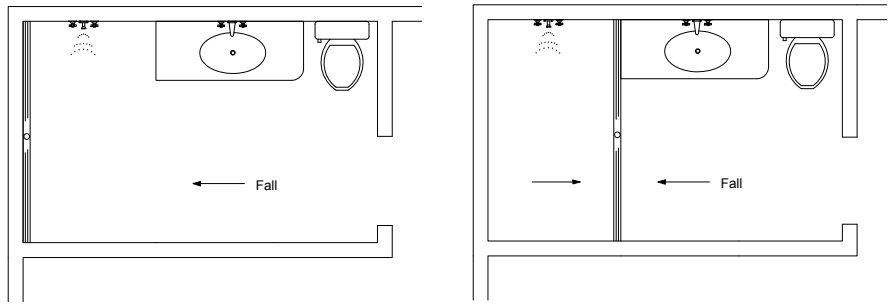
Join angles as shown if turning channel around a 90 degree corner.



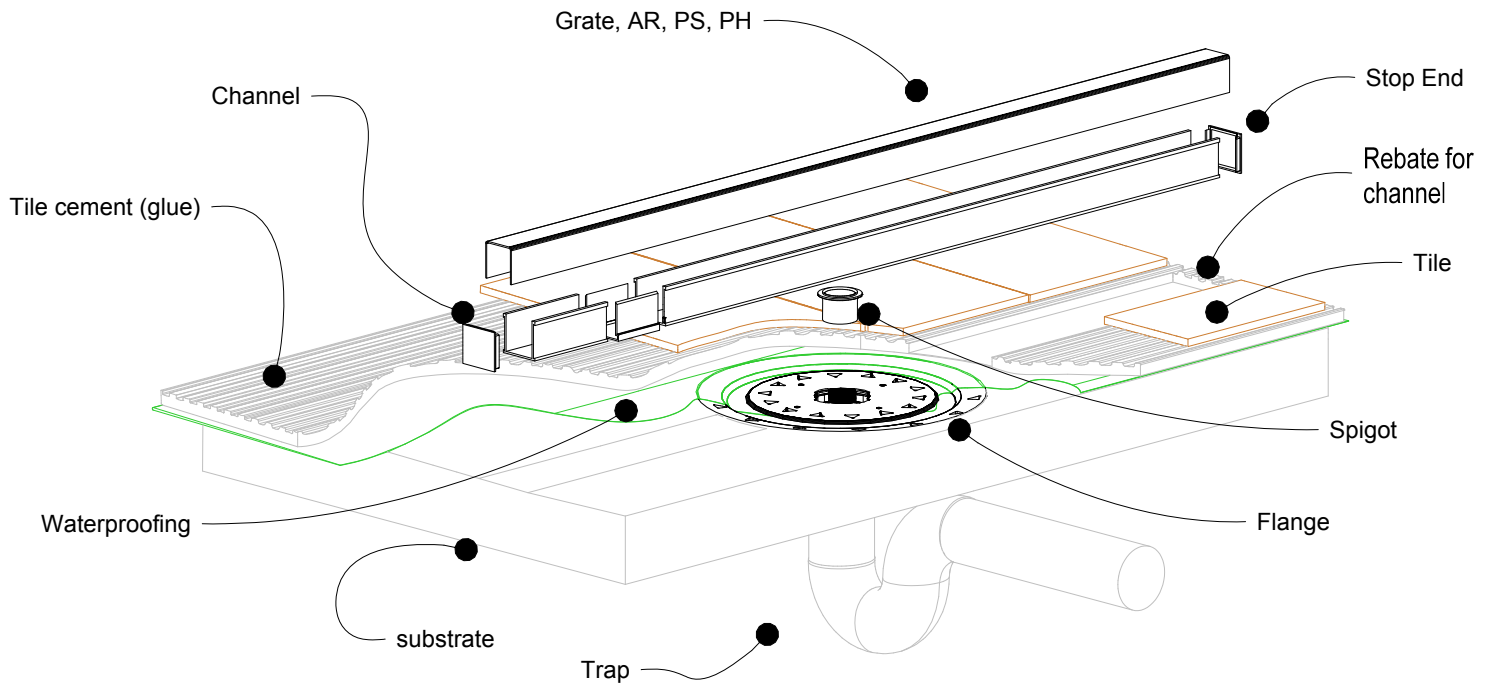
38G40 Bathroom DN 40 outlet

Installation sequence for:

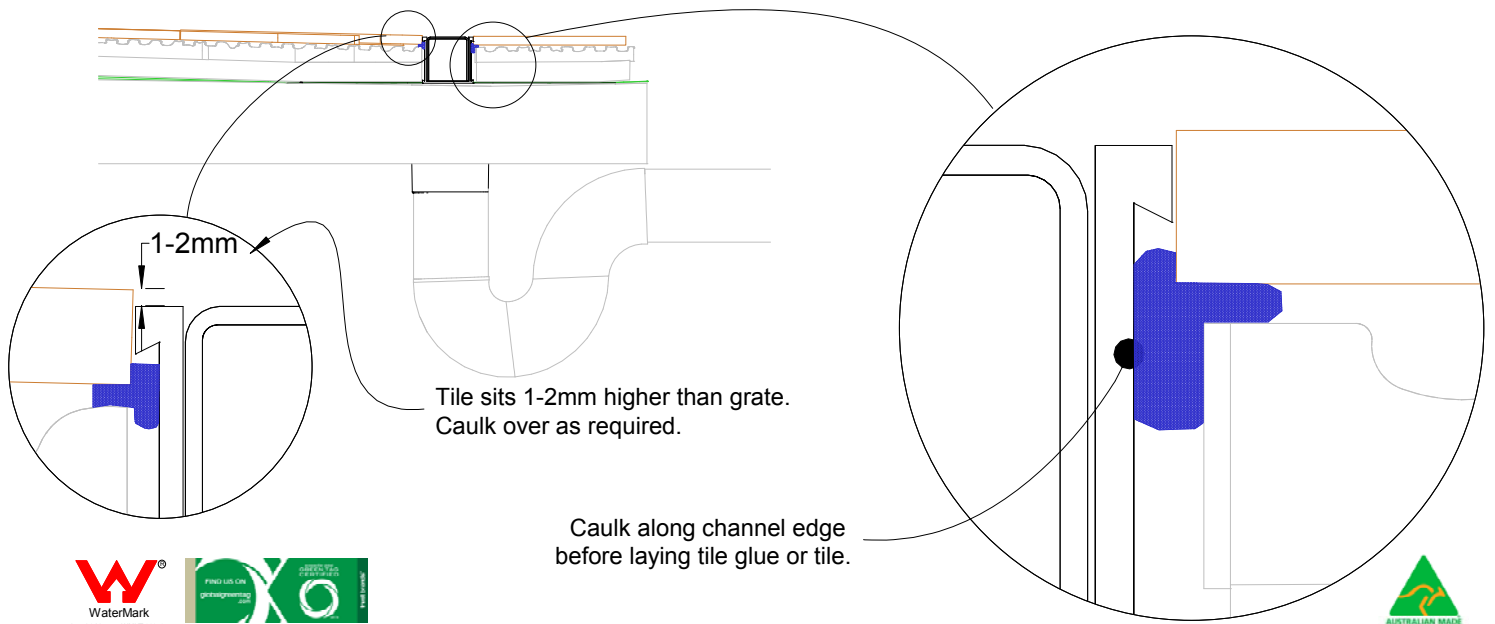
- 38ARG40
- 38PSG40
- 38PHG40



NOTE, refer to AS3500 for specific outlet pipe sizes related to your specific installation.



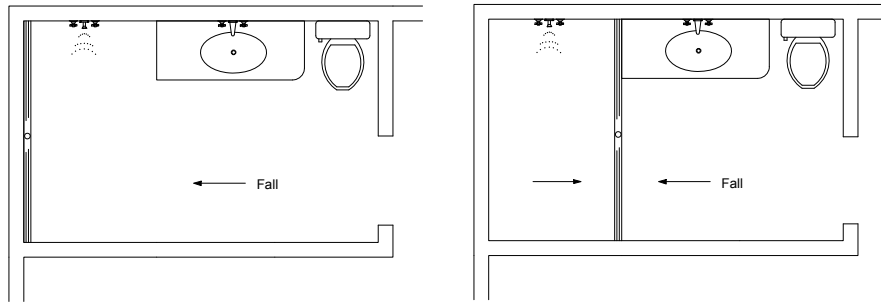
NOTE, this method requires the channel system to be above and separate from the waterproofing



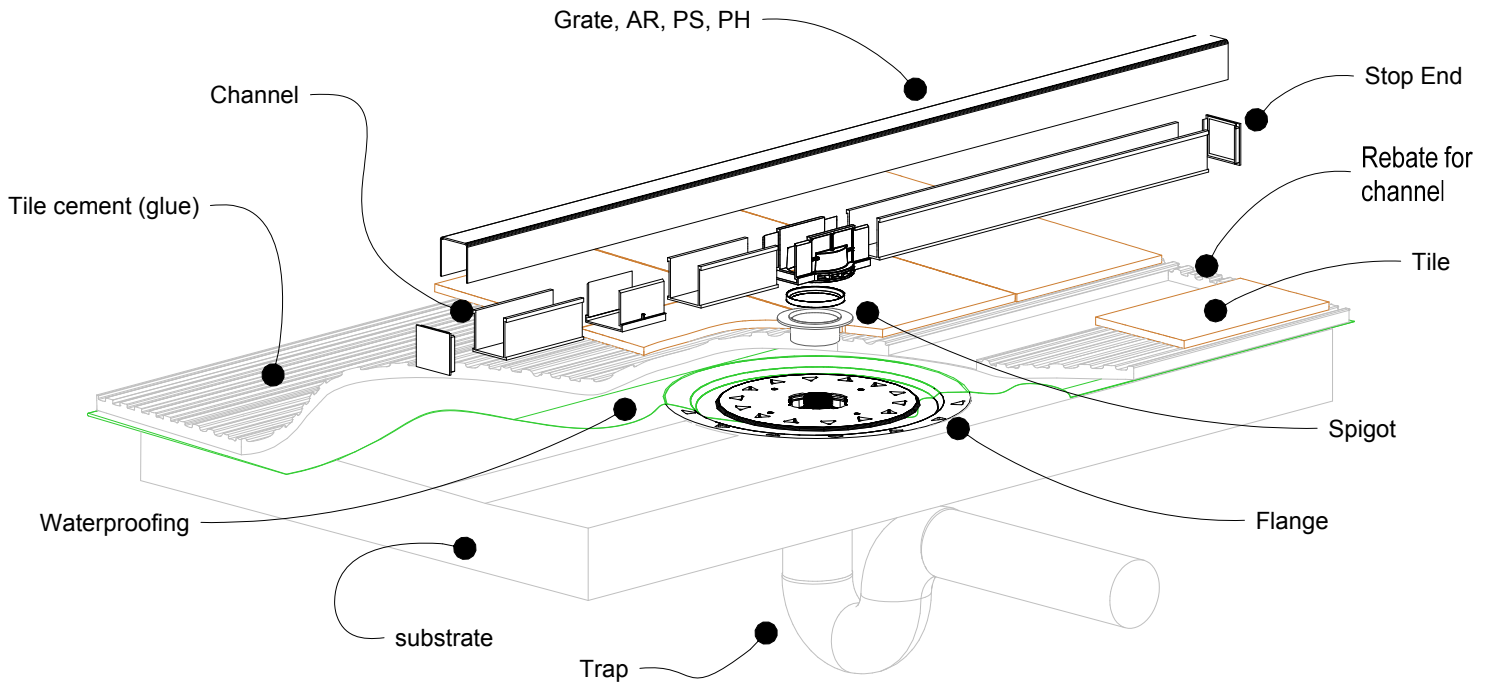
38G40 Bathroom DN 50 outlet

Installation sequence for:

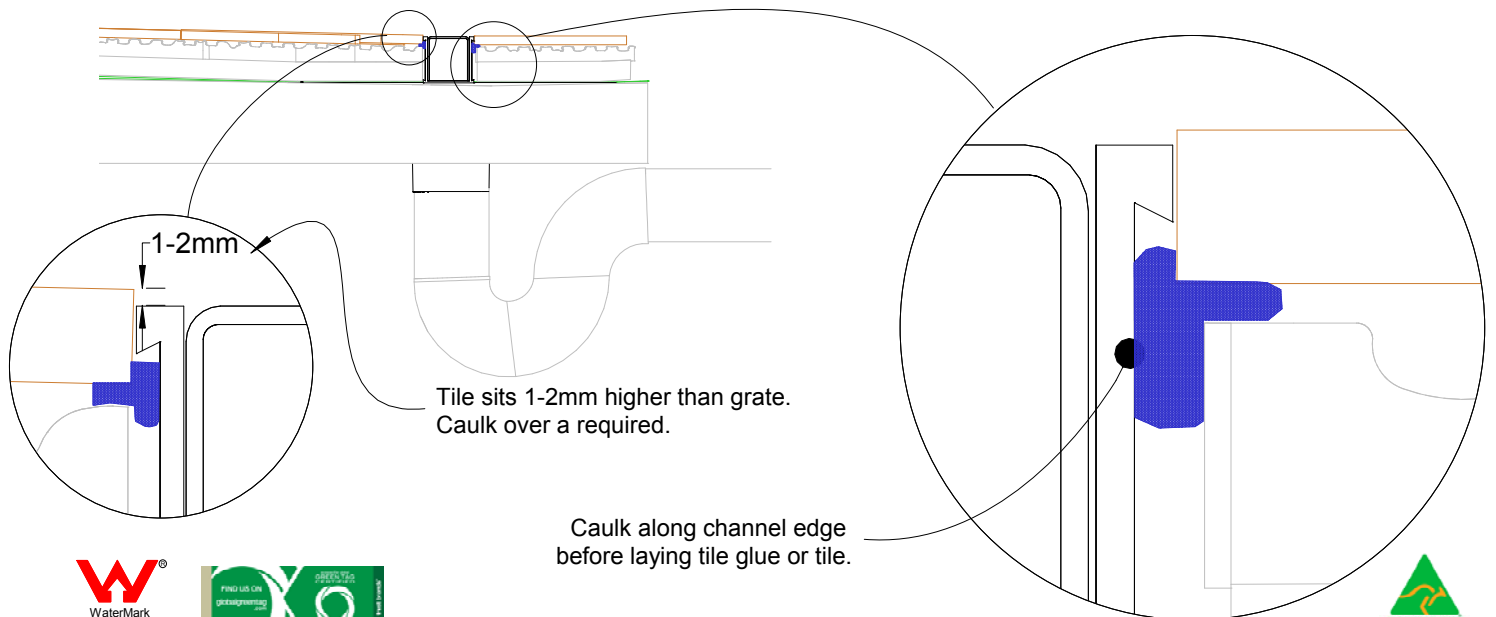
- 38ARG40
- 38PSG40
- 38PHG40



NOTE, refer to AS3500 for specific outlet pipe sizes related to your specific installation.



NOTE, this method requires the channel system to be above and separate from the waterproofing



38G40 Concrete Floor or Deck

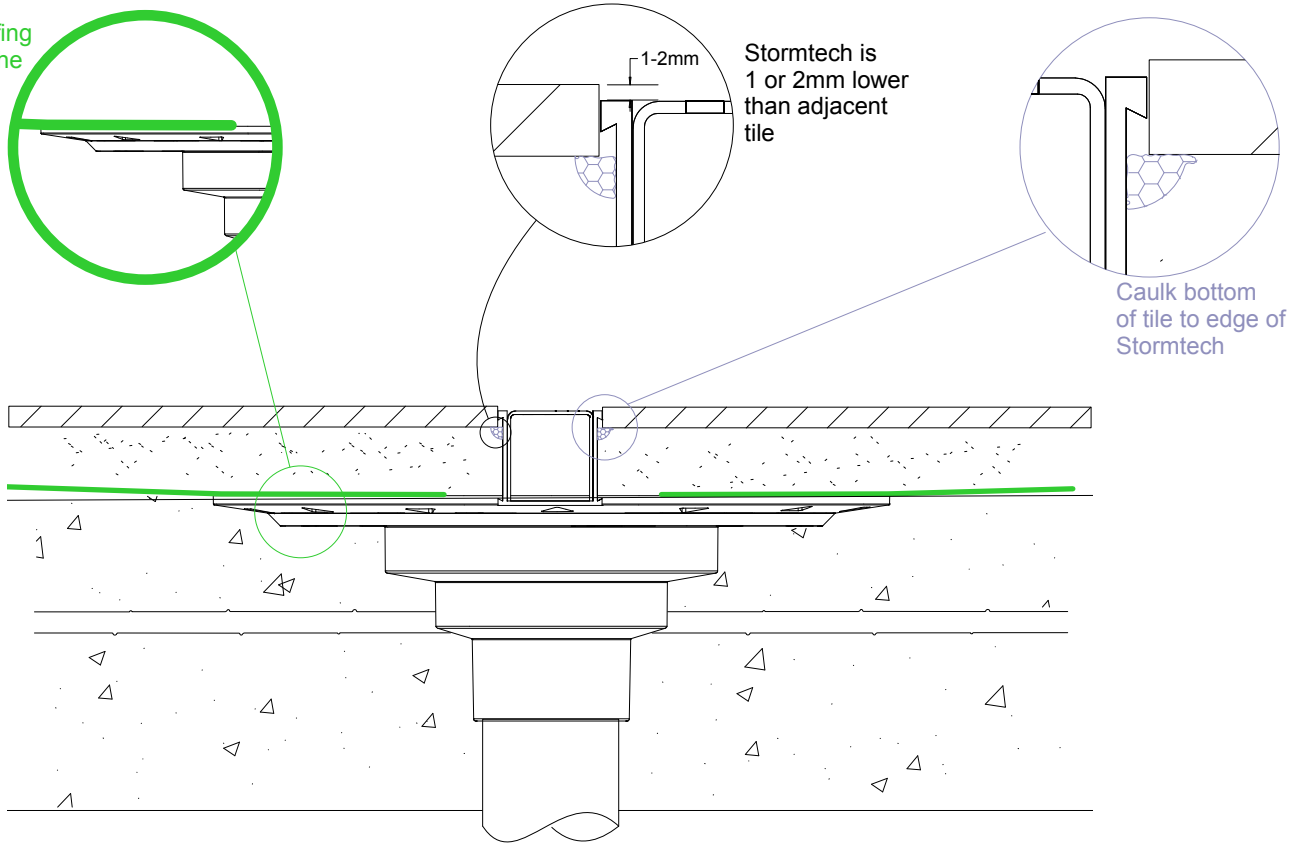
Installation suggestion for:

- 38ARG40
- 38PSG40
- 38PHG40

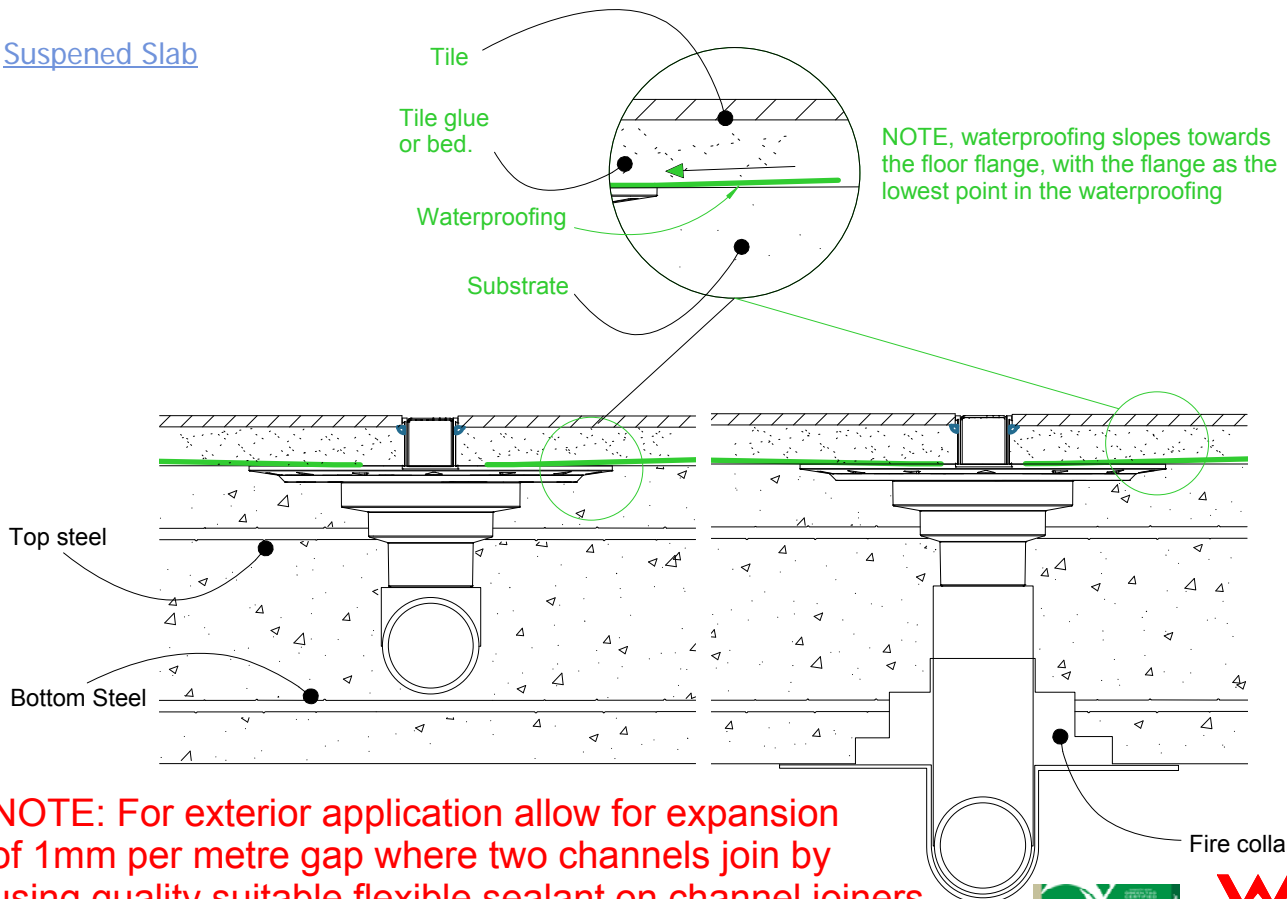


Slab on Ground

Waterproofing is fixed to the floor flange



Suspended Slab



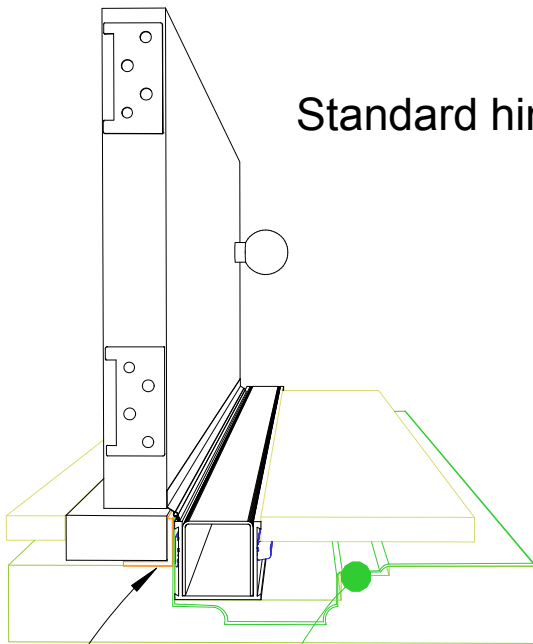
NOTE: For exterior application allow for expansion of 1mm per metre gap where two channels join by using quality suitable flexible sealant on channel joiners. For ends and outlets use PVC solvent cement.



38G40 Threshold installation suggestion For 38ARG, 38PSG, 38PHG.

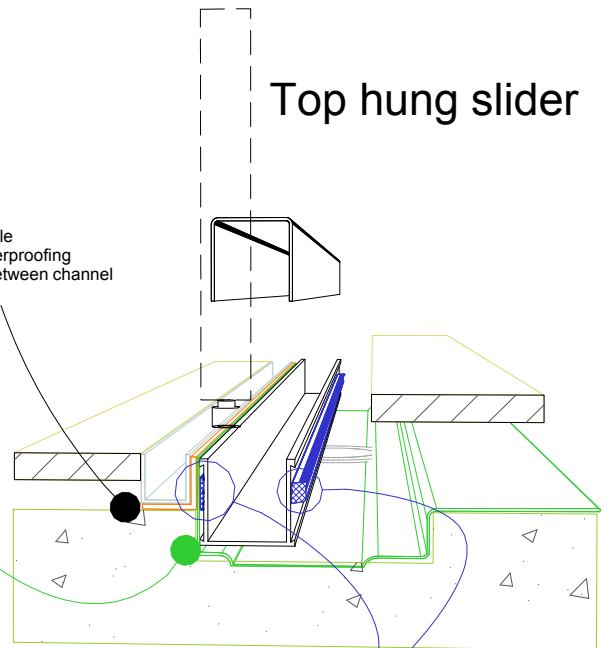


Standard hinged door



Aluminium angle to support waterproofing and junction between channel and door sil.

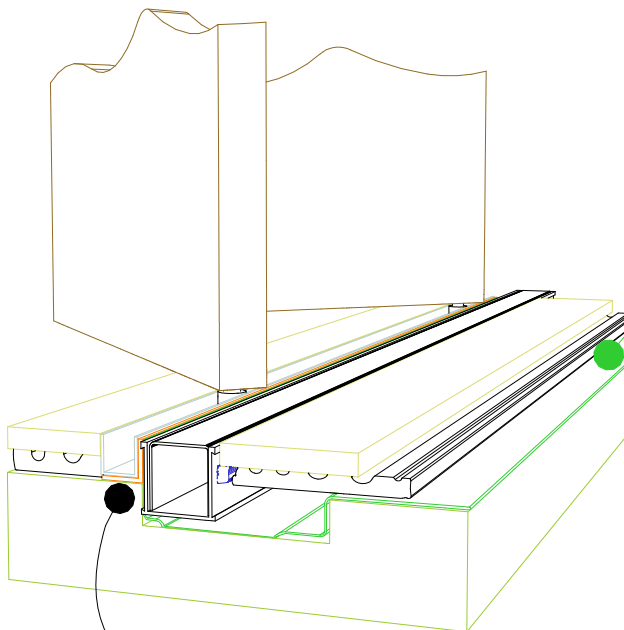
Top hung slider



Aluminium angle to support waterproofing and junction between channel and door track.

Waterproofing

Bi-fold door



Aluminium angle to support waterproofing and junction between channel and door track.

For all types of threshold installation ensure both sides of the channel are sealed before laying tile.

NOTE, ALWAYS ensure the waterproofing is completed before laying the Stormtech.

NOTE, ensure weather strip is used on the appropriate side of the door to ensure drafts and moisture are minimised.



38G40 TIMBER FLOOR/DECK



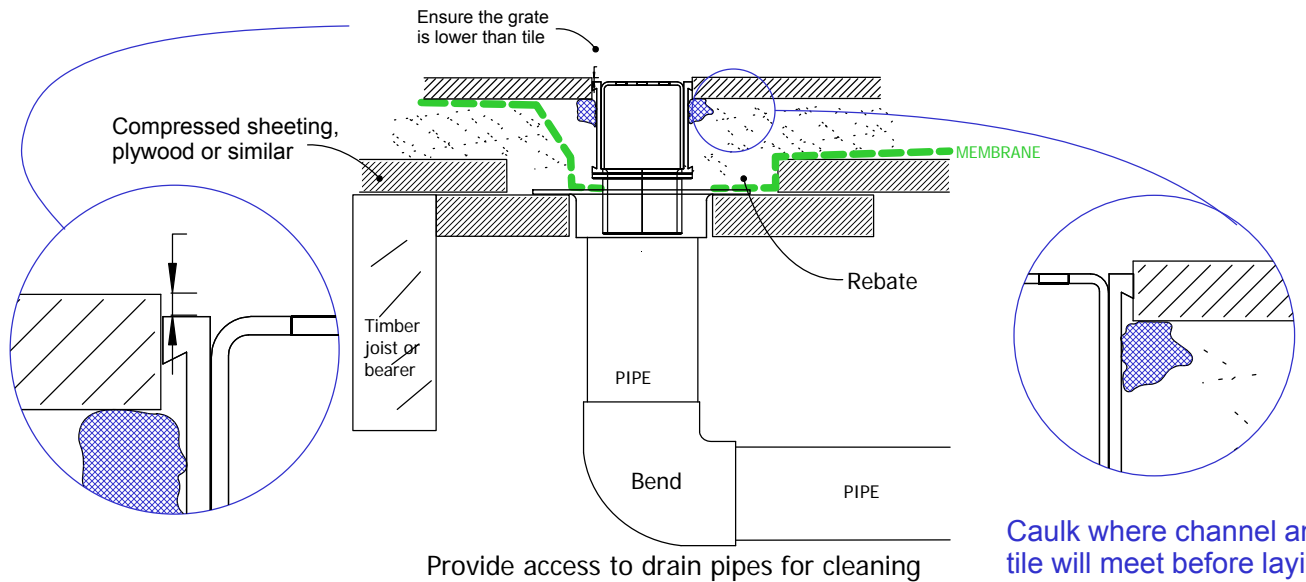
Installation suggestion for:

38ARG40

38PSG40

38PHG40

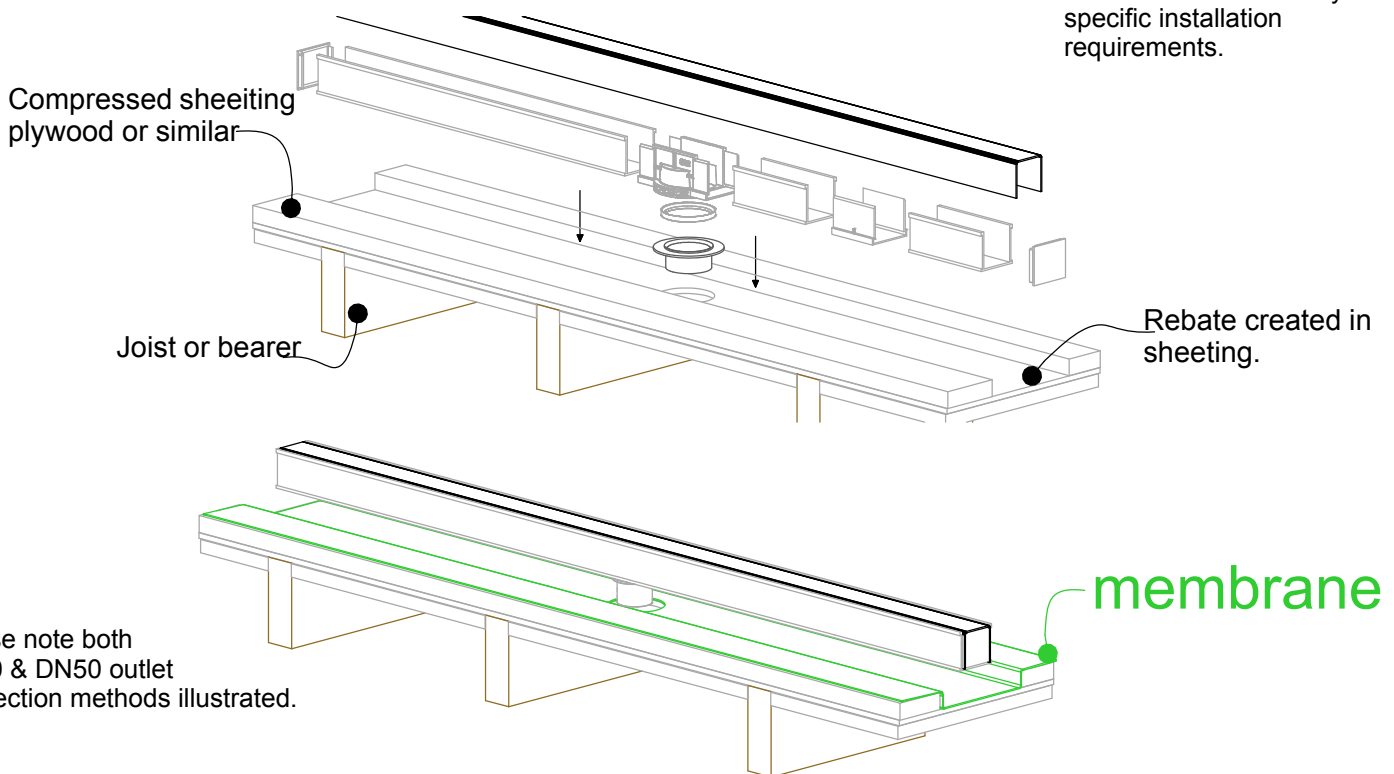
When 38G40 is running parallel to joist/bearer



Caulk where channel and tile will meet before laying tile.

When 38G40 is running perpendicular to joist/bearer

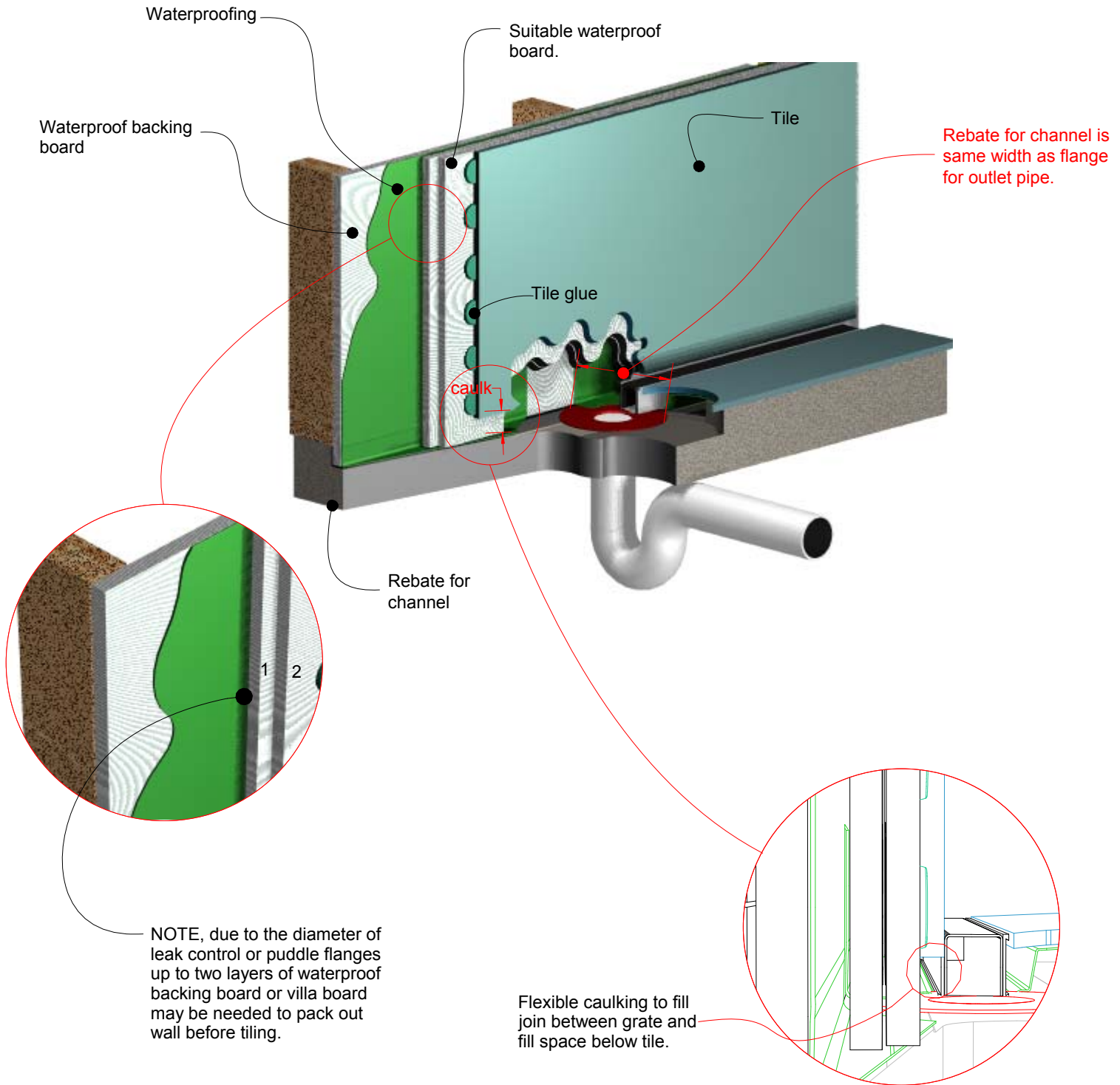
Be sure to check with local relevant authorities for your specific installation requirements.



NOTE: For exterior application allow for expansion of 1mm per metre by using quality suitable flexible sealant on channel joins. Use PVC solvent cement and primer for ends and outlets.



38G40 Against Wall. For 38ARG, 38PSG, 38PHG



Visit slimlinedrain.co.uk

