

ARCHITECTURAL GRATES + DRAINS



65ARG40

Linear Drainage System

Stormtech is the only linear drainage system available with full Greentag and Watermark certification across our complete product range.

Telephone 01483 346460 | Web slimlinedrain.co.uk





ARCHITECTURAL
GRATES + DRAINS



65ARG40

Linear Drainage System



The 65AR is our premium architectural grate featuring a 2mm/2.5mm gap.

The 65ARG40 is a modular drainage system with a stainless steel grate and uPVC channel.

It is manufactured from 316 marine grade stainless steel.

Kits longer than 3000mm are available on request.

Please be aware that depending on the installation environment, for a pool installation or close to a surf beach, you may need to have your stainless steel grates electropolished.

Refer to AS3500 for outlet pipe sizes specific to your installation.

Code 65ARG40

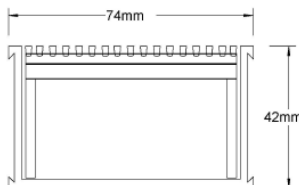
Range 65

Grate Style AR

Category Modular Kits

Channel Material uPVC

Steel Grade 316

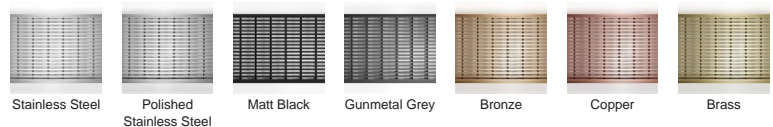


Grates longer than 1500mm supplied in sections.
Tile Inserts longer than 1200mm supplied in sections.
Channels over 3000mm supplied in sections with joiner.

SPECIFICATIONS + DIMENSIONS

Channel Width	74mm				
Channel Depth	42mm				
Length(s)	900mm	1000mm	1200mm	1500mm	
	1800mm	1900mm	2000mm	2200mm	
	2400mm	2700mm	3000mm		
Outlet Size	DN40, DN50				

STORMTECH COLOUR FINISHES



Electroplate finishes subject to natural variation with time and local environment.

PRODUCT APPLICATIONS

- | | |
|-----------------------------|----------------------------|
| Bathroom Drainage | Pool and Spa Area Drainage |
| Aged / Health Care Drainage | Hospitality Drainage |
| Balcony Drainage | Paved Area Drainage |
| Commercial Drainage | Shower Drainage |
| Courtyard / Patio Drainage | Multi-Residential Drainage |
| Driveway Drainage | Special Needs Drainage |

Copyright © Stormtech Pty Ltd. Patent 733361. Drawings not to scale, please use dimensions shown.



Visit slimlinedrain.co.uk
for tools + inspiration.

Phone 01483 346460

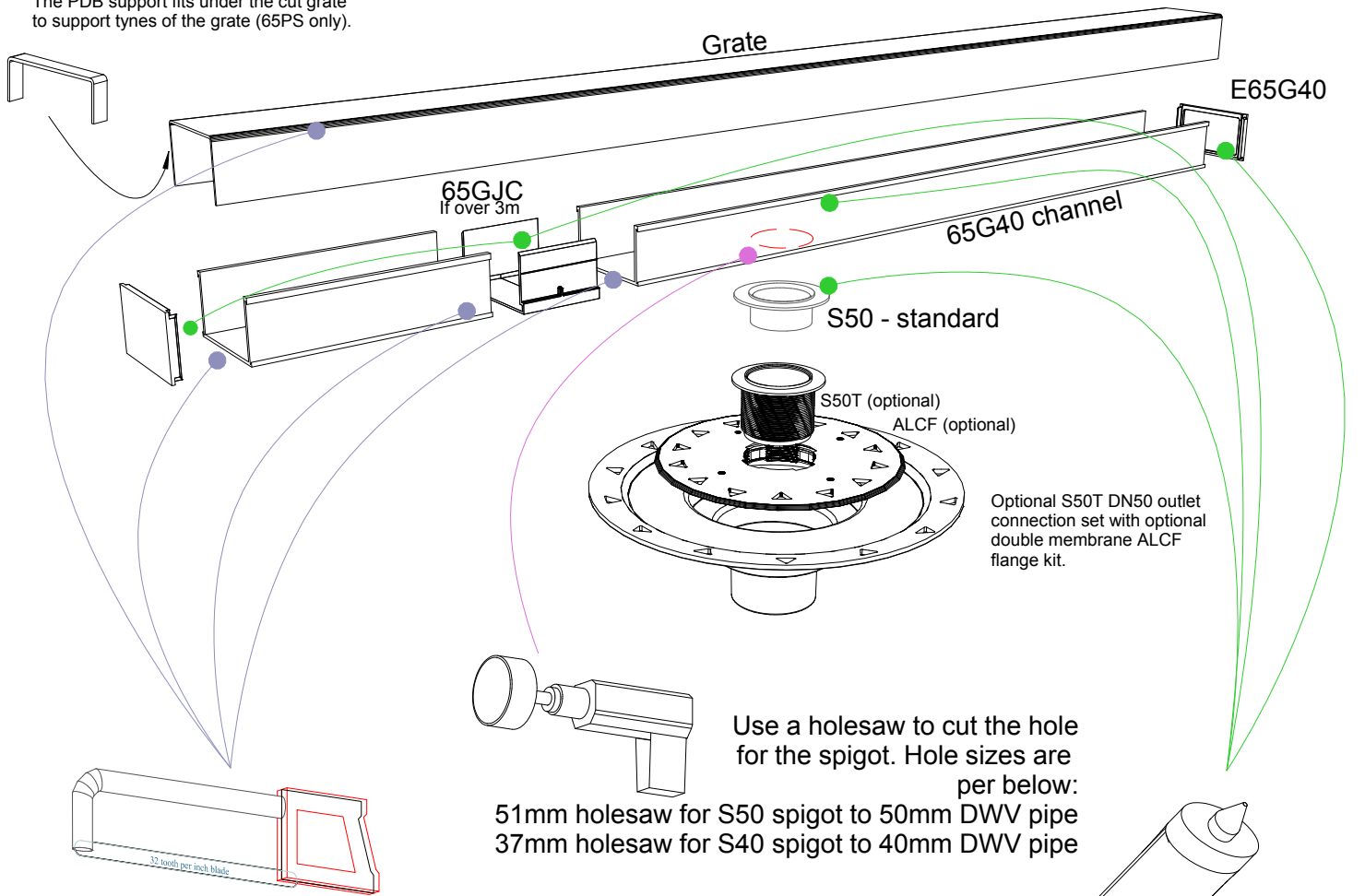
Email technical@slimlinedrain.co.uk

65G40 Assembly

For 65ARG40, 65PHG40, 65PSG40, 65TRG40, and 65TRTiG40.

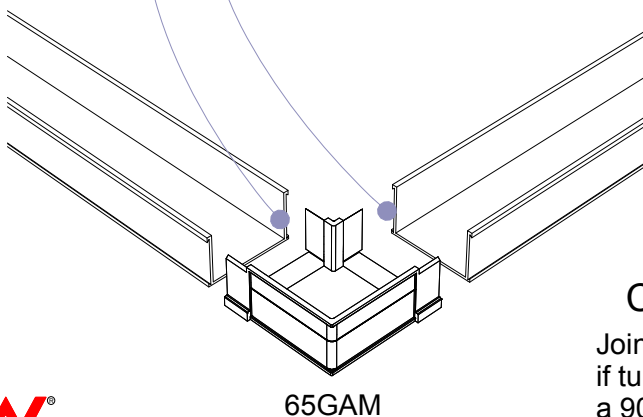


The PDB support fits under the cut grate to support tynes of the grate (65PS only).



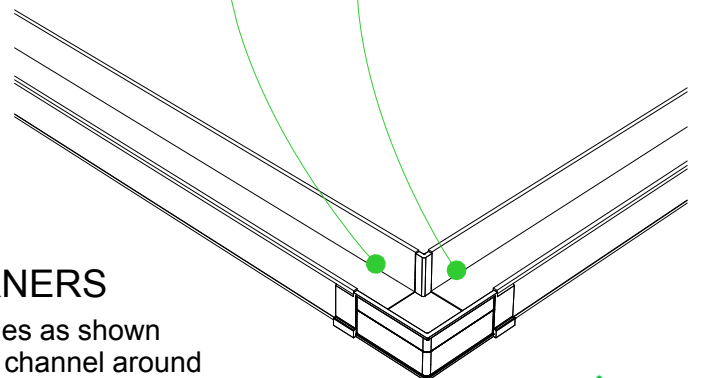
Use a hacksaw with 32TPI blade to cut both stainless grate and PVC channel. **NOTE, cut the GRATE AFTER the CHANNEL is ASSEMBLED. The GRATE will be SHORTER to fit INSIDE the channel.**

PVC solvent cement the parts together. Use type N clear with clear primer.



CORNERS

Join angles as shown if turning channel around a 90 degree corner.

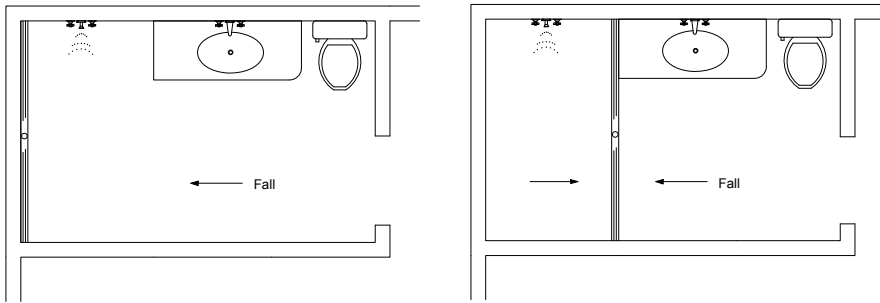


65GAM

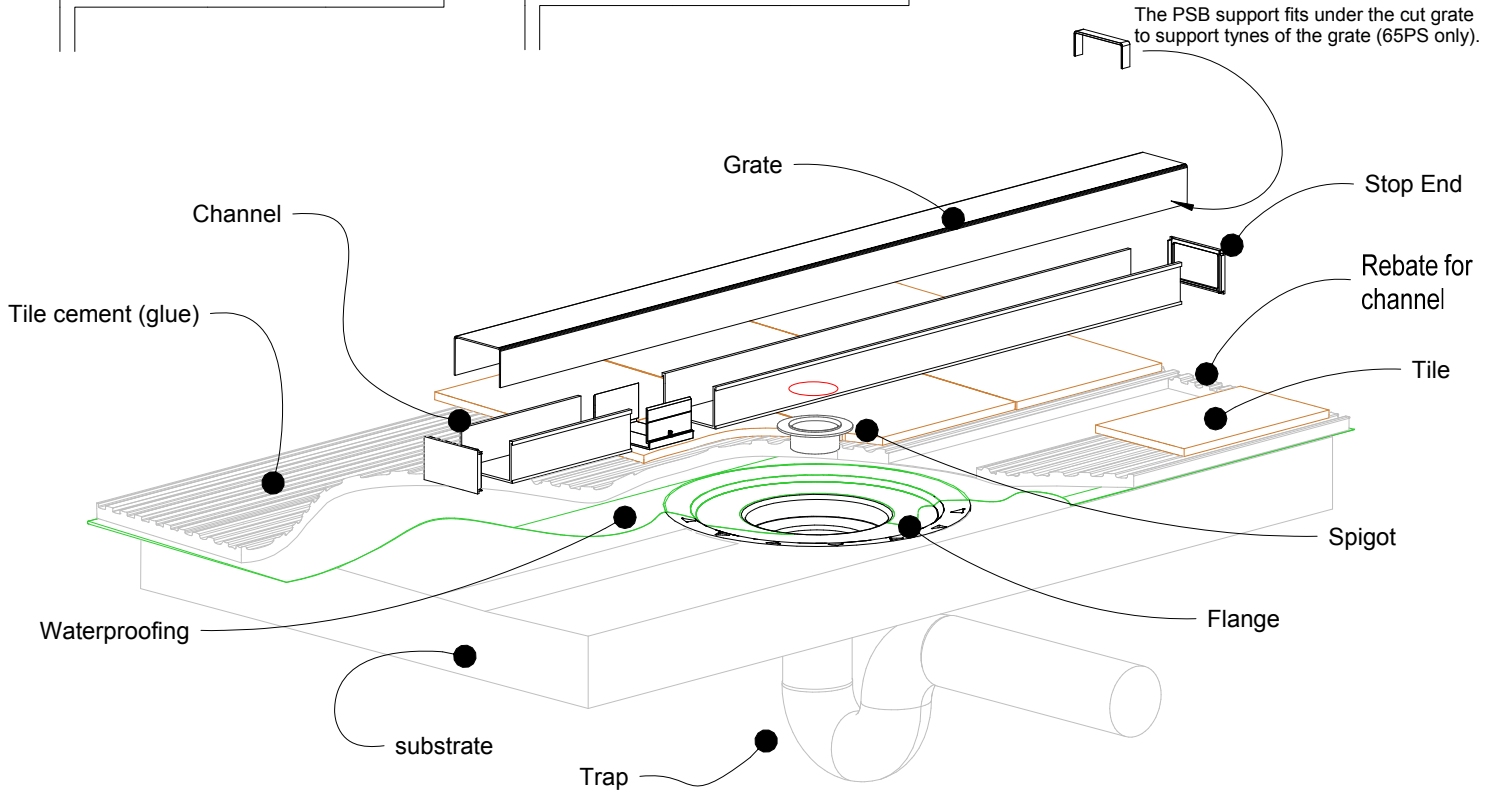


65G40 Bathroom

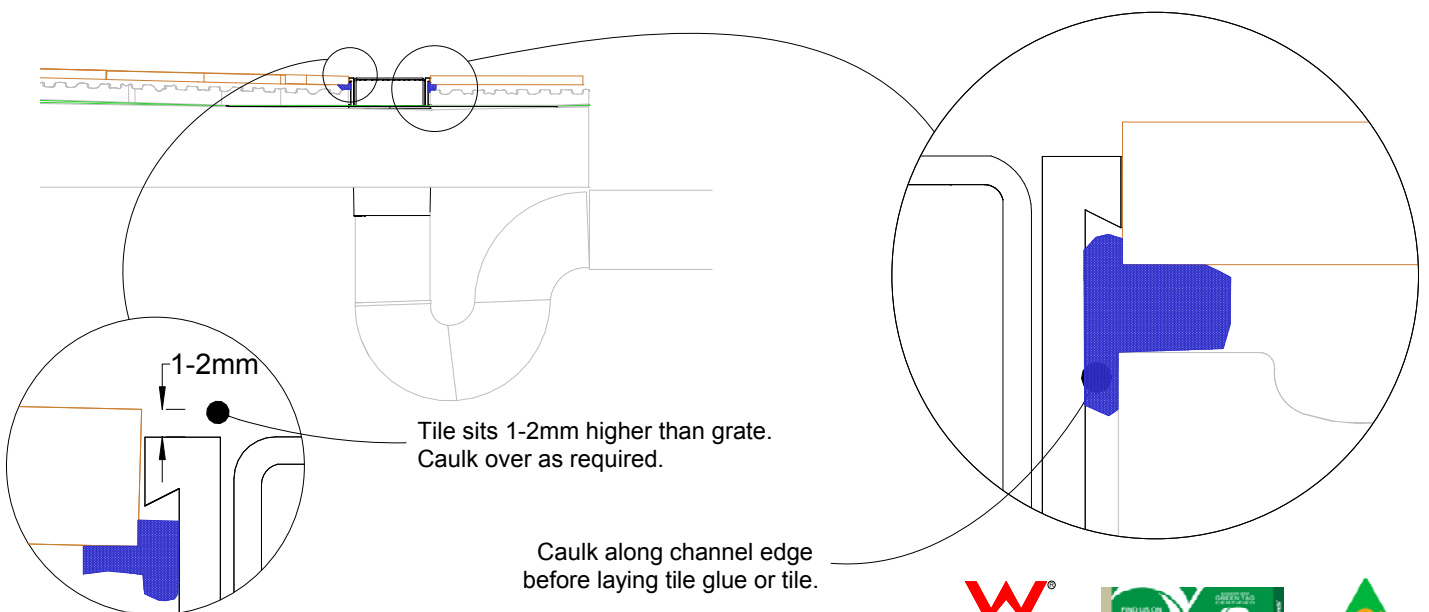
For 65ARG40, 65PHG40, 65PSG40, 65TRG40, and 65TRTiG40.



NOTE, refer to AS3500 for specific outlet pipe sizes related to your specific installation.



NOTE, this method requires the channel system to be ABOVE and SEPARATE from the WATERPROOFING.



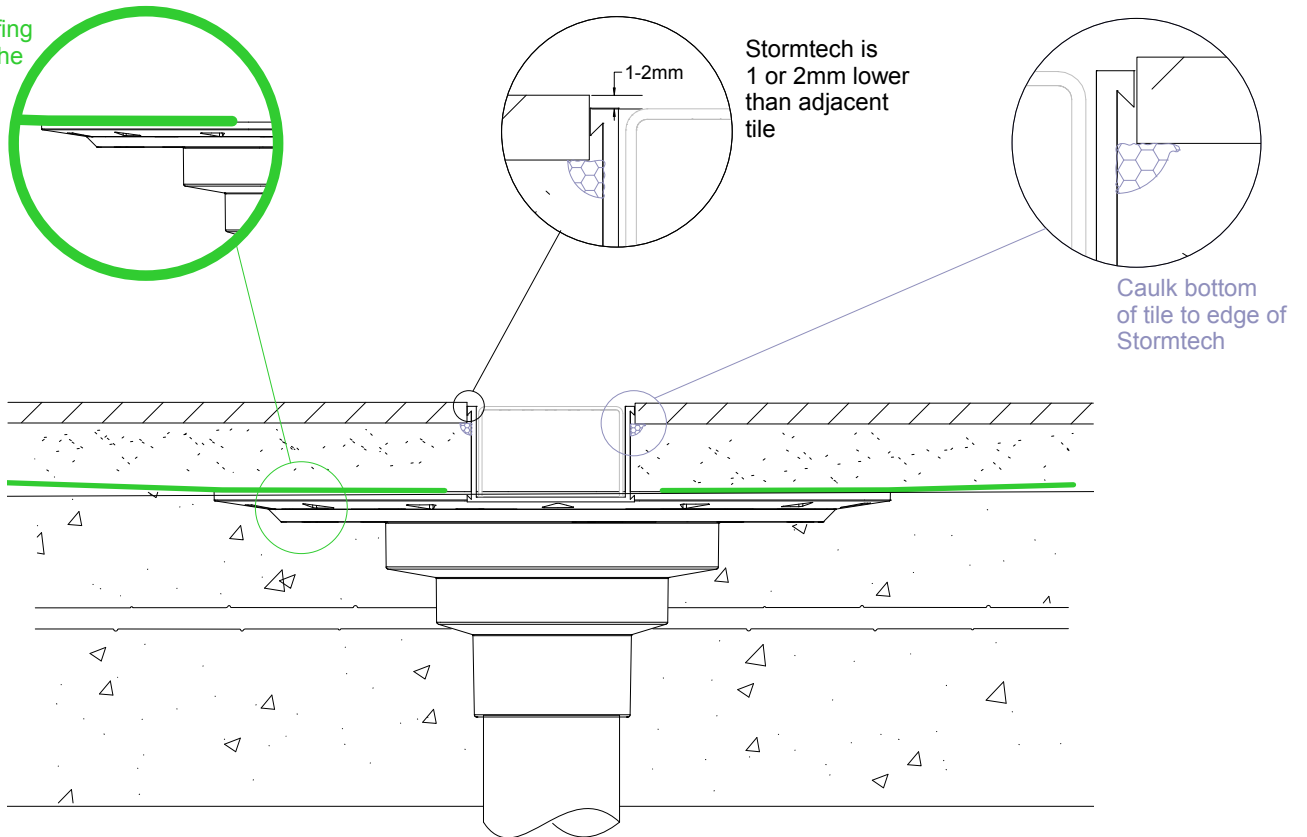
65G40 Concrete Floor or Deck

For 65ARG40, 65PHG40, 65PSG40, 65TRG40, and 65TRTiG40.

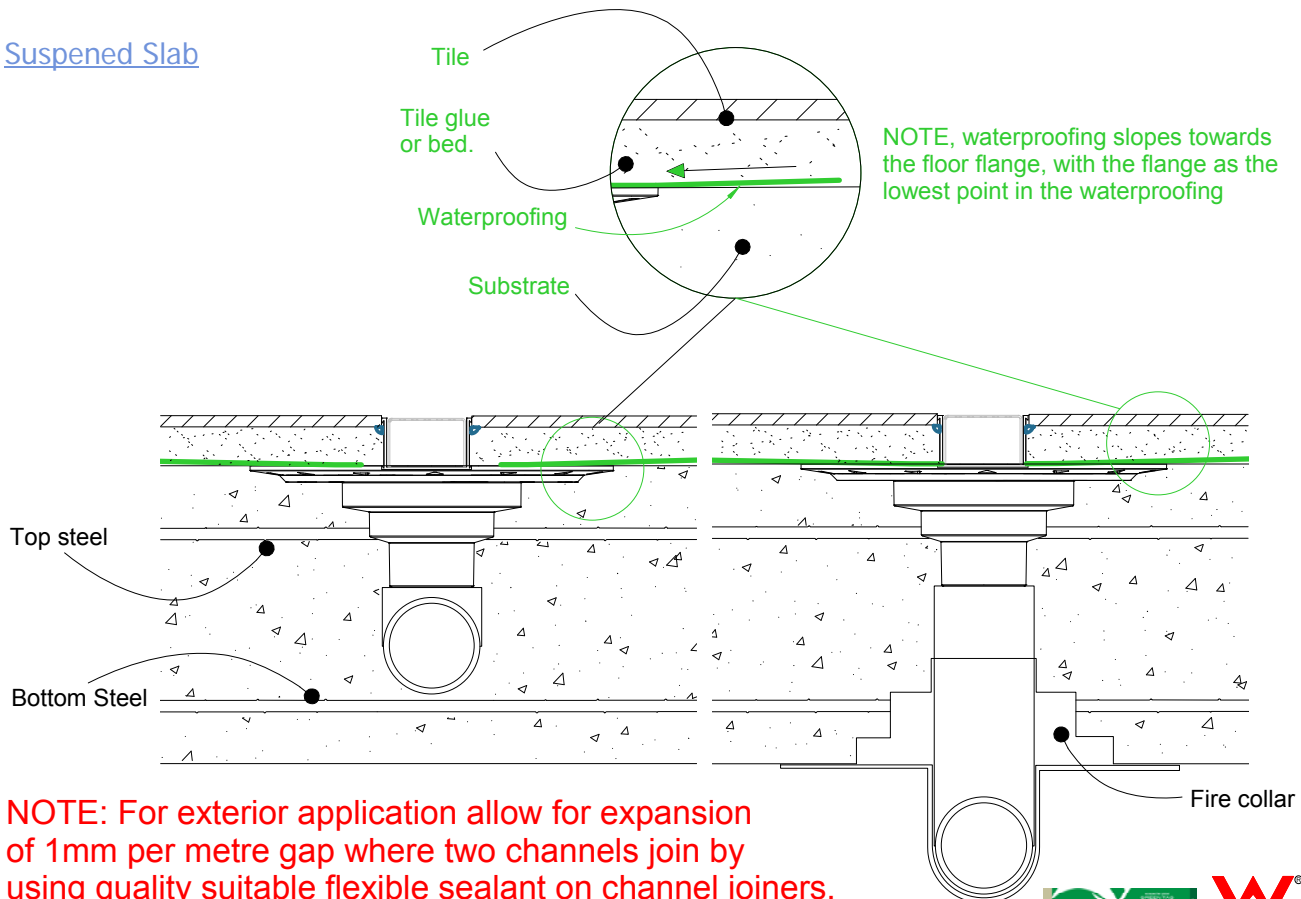


Slab on Ground

Waterproofing is fixed to the floor flange



Suspended Slab



NOTE: For exterior application allow for expansion of 1mm per metre gap where two channels join by using quality suitable flexible sealant on channel joiners. Use PVC solvent cement and primer on ends and outlets.

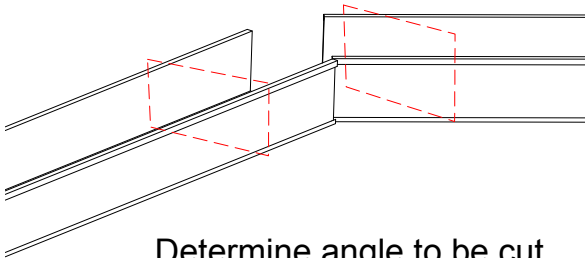


65G40 Off-Set Corners



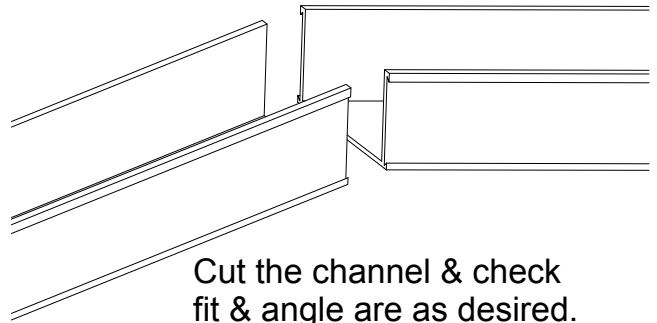
When assembling channel for corners other than 90 degrees, the following fittings and method is suggested.

1



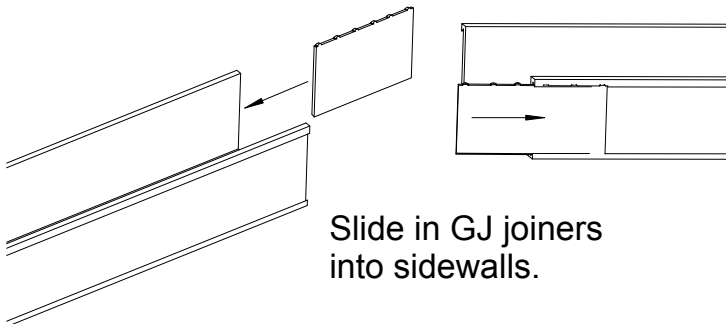
Determine angle to be cut

2



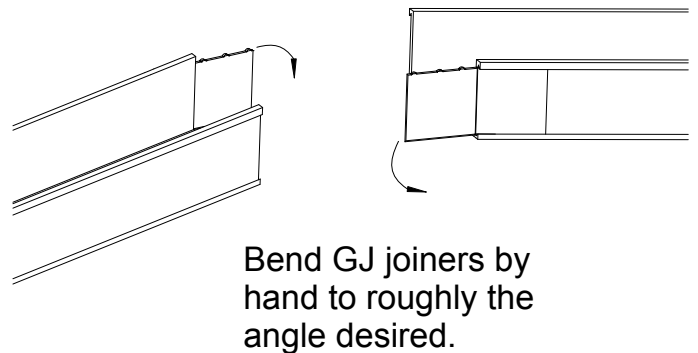
Cut the channel & check fit & angle are as desired.

3



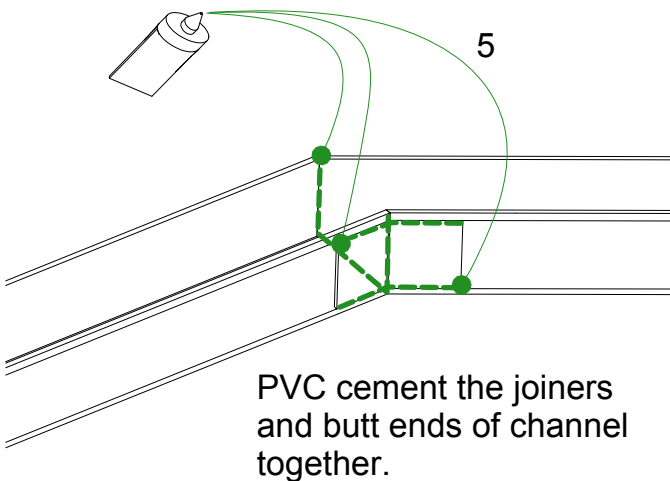
Slide in GJ joiners into sidewalls.

4



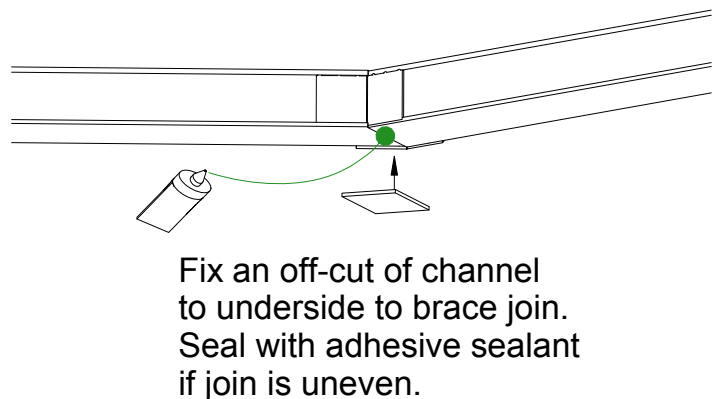
Bend GJ joiners by hand to roughly the angle desired.

5



PVC cement the joiners and butt ends of channel together.

6



Fix an off-cut of channel to underside to brace joint. Seal with adhesive sealant if joint is uneven.

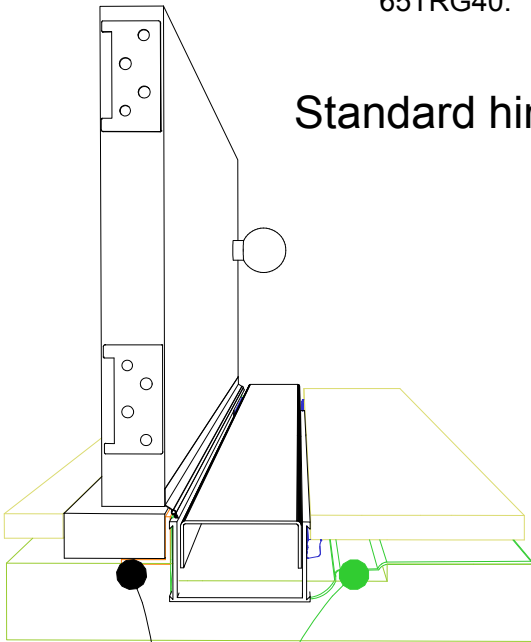


65G40 Threshold installation suggestion

For 65ARG40, 65PHG40, 65PSG40,
65TRG40.

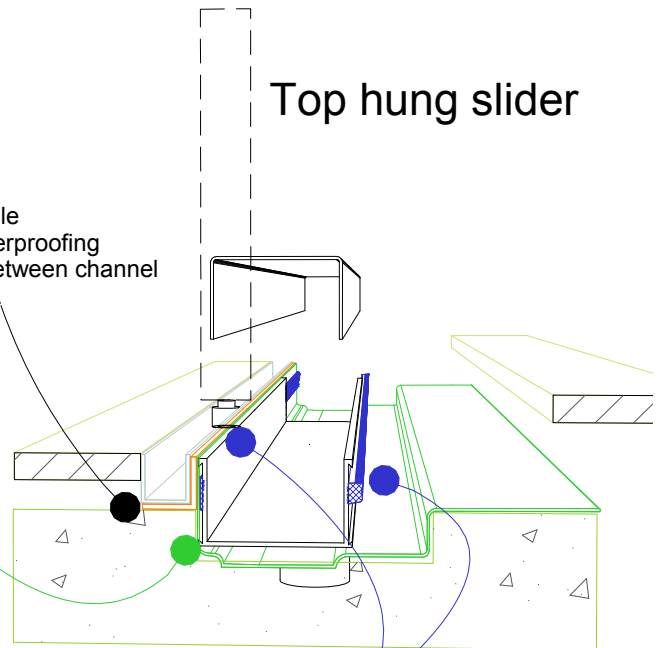


Standard hinged door



Aluminium angle to support waterproofing and junction between channel and door sil.

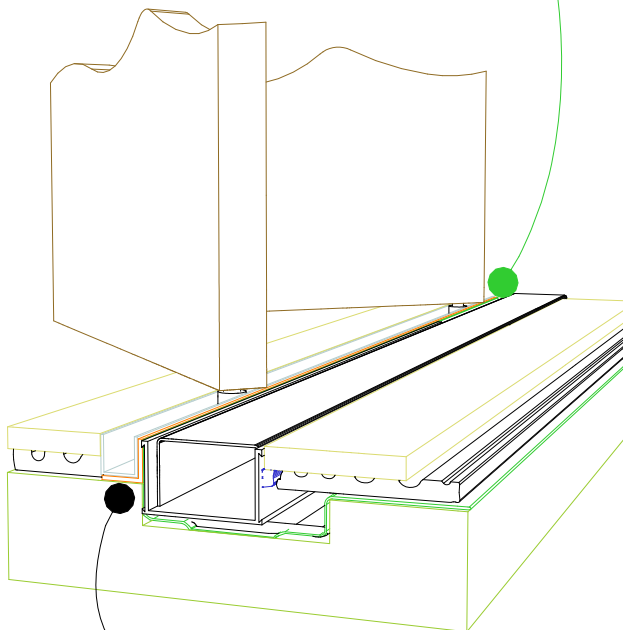
Top hung slider



Aluminium angle to support waterproofing and junction between channel and door track.

Waterproofing

Bi-fold door



Aluminium angle to support waterproofing and junction between channel and door track.

For all types of threshold installation ensure both sides of the channel are sealed before laying tile.

NOTE, ALWAYS ensure the waterproofing is completed before laying the Stormtech.

NOTE, ensure weather strip is used on the appropriate side of the door to ensure drafts and moisture are minimised.

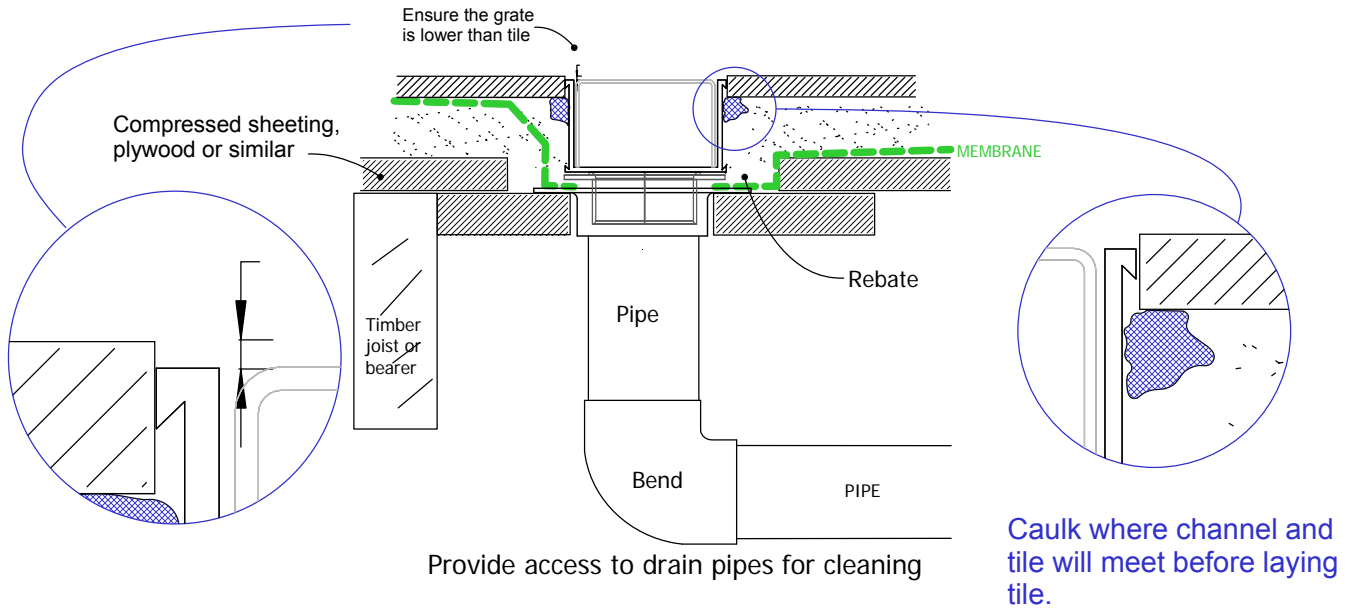


65G40 TIMBER FLOOR/DECK

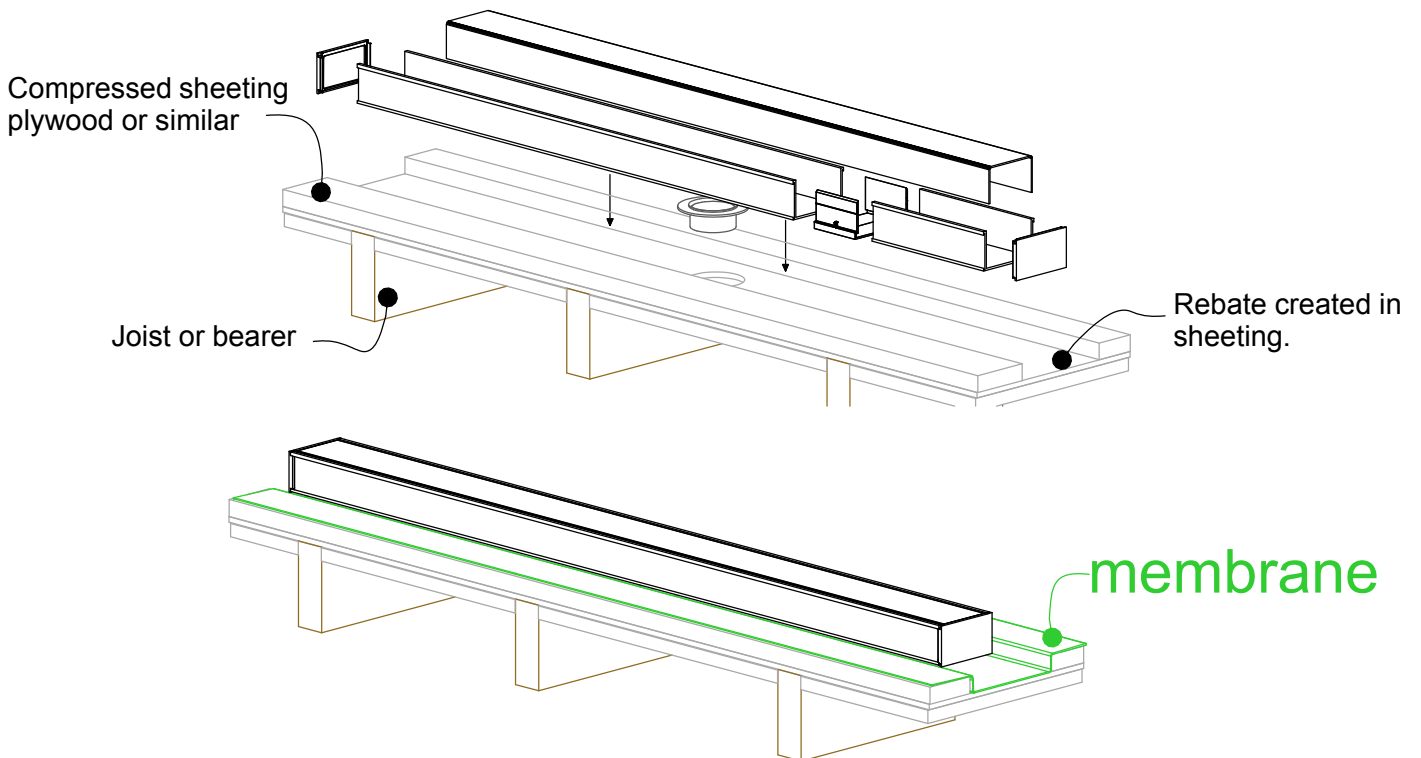
For 65ARG40, 65PHG40, 65PSG40, 65TRG40, and 65TRTiG40.



When 65G40 is running parallel to joist/bearer



When 65G40 is running perpendicular to joist/bearer

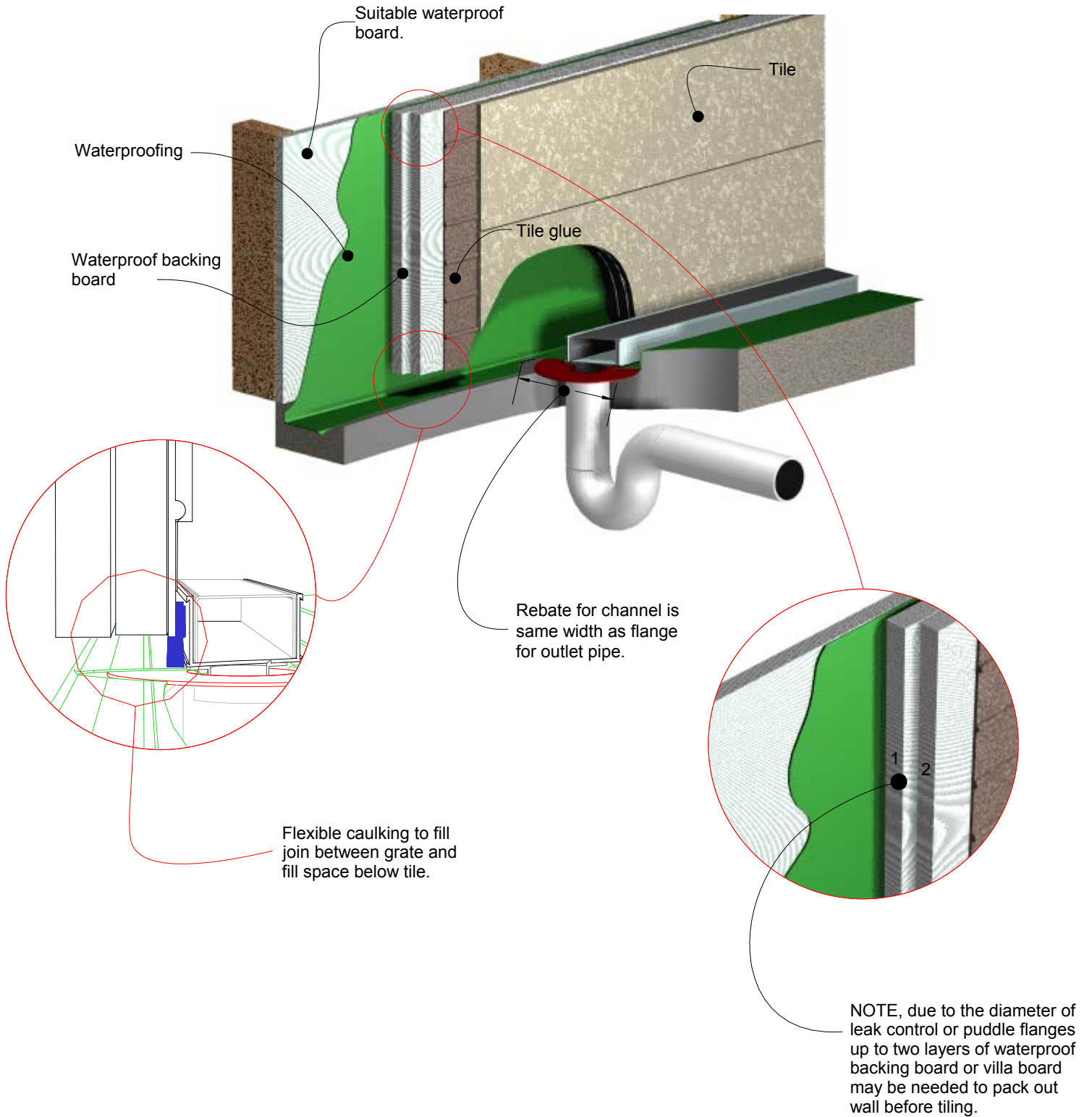


NOTE: For exterior application allow for expansion of 1mm per metre by using quality suitable flexible sealant on channel joints. Use PVC solvent cement and primer for ends and outlets.



65G40 Against Wall

For 65ARG40, 65PHG40, 65PSG40, 65TRG40, and 65TRTiG40.



Visit slimlinedrain.co.uk

